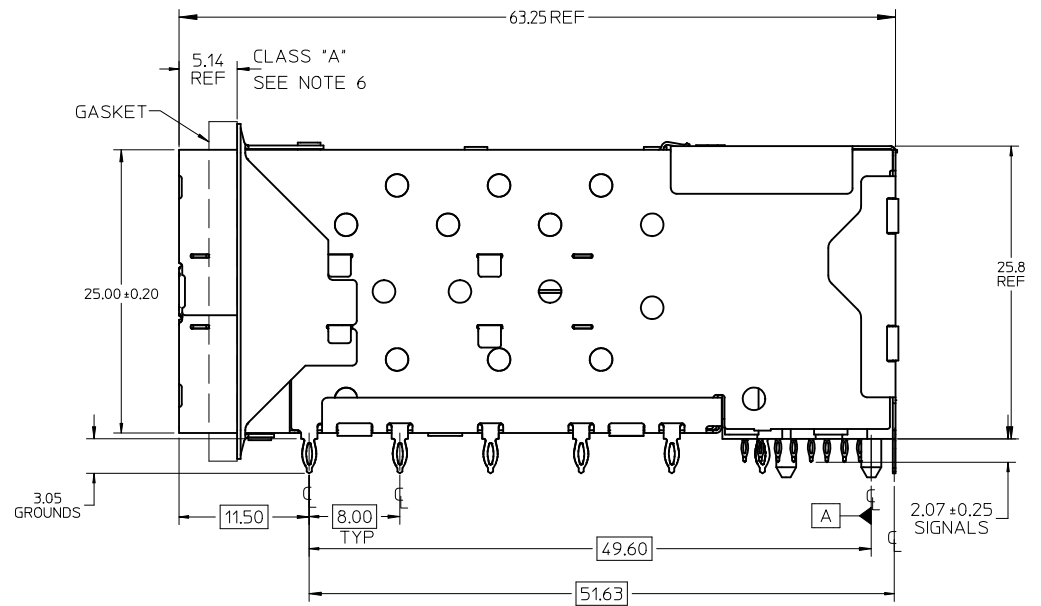


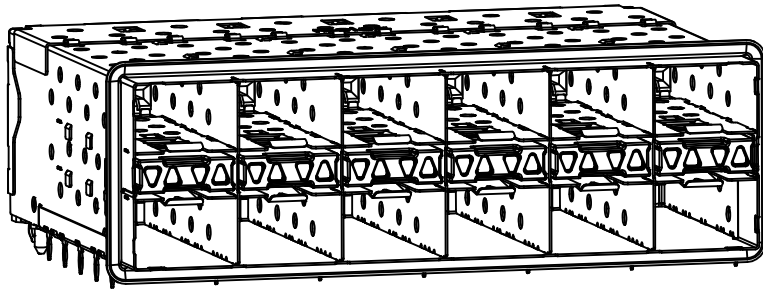
PART NUMBER	DESCRIPTION	VIEW	COMPLIANT TAIL PLATING
760940001	4 LIGHT PORTS	SEE PG 2	MATTE TIN / LEAD
760940002	INNER 2 PORTS	SEE PG 2	MATTE TIN / LEAD
760940003	OUTER 2 PORTS	SEE PG 2	MATTE TIN / LEAD
760945001	4 LIGHT PORTS	SEE PG 2	MATTE TIN
760945002	INNER 2 PORTS	SEE PG 2	MATTE TIN
760945003	OUTER 2 PORTS	SEE PG 2	MATTE TIN

NOTES

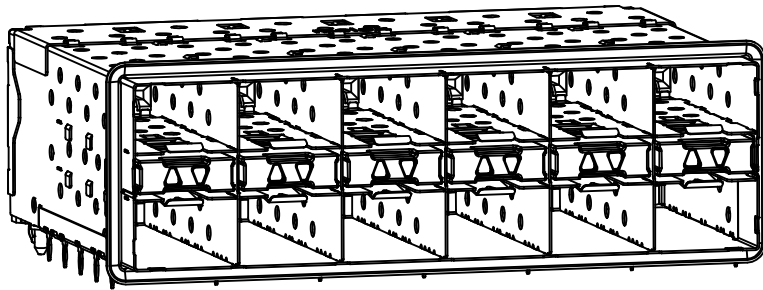
- MATERIAL:
 - CAGE: NICKEL SILVER, THICKNESS: 0.25mm
 - CONNECTOR HOUSING: GLASS FILLED LIQUID CRYSTAL POLYMER (LCP), UL 94V-0, COLOR: BLACK
 - OVERMOLD TERMINAL HOUSING: GLASS FILLED LIQUID CRYSTAL POLYMER (LCP), UL 94V-0, COLOR: BLACK
 - TERMINALS: TIN BRASS
 - EMI GASKET: CONDUCTIVE ELASTOMER
 - LIGHTPIPE HOUSING: ZINC
 - LIGHTPIPES: POLYCARBONATE, COLOR: CLEAR
- FINISHES:
 - TERMINALS: CONTACT AREA: 0.76 MICROMETERS MINIMUM HARD GOLD OVER 1.27 MICROMETERS MINIMUM NICKEL.
 - COMPLIANT TAIL - MATTE TIN/LEAD OPTION: 0.76 TO 1.52 MICROMETERS 90/10 MATTE TIN-LEAD OVER 0.76 MICROMETERS MINIMUM NICKEL.
 - COMPLIANT TAIL - MATTE TIN OPTION: 0.76 TO 1.52 MICROMETERS MATTE TIN OVER 0.76 MICROMETERS MINIMUM NICKEL.
 - LIGHT PIPE HOUSING: 80 MICROMETERS MINIMUM NICKEL OVER COPPER
- REFER TO PS-75310-001 PRODUCT SPEC FOR ALL ELECTRICAL, MECHANICAL AND ENVIRONMENTAL SPECIFICATIONS.
- LIGHT PIPE PAD LAYOUT IS FOR 0805 LOW-PROFILE LED PACKAGE FOR OTHER RECOMMENDED LAYOUTS REFER TO MOLEX'S REPORT TS-75310-001.
- REFER TO PK-75451-001 FOR ALL PACKAGING SPECIFICATIONS.
- ALL EXTERIOR SURFACES TO BE CLASS 'B' SURFACES EXCEPT THE UNDER SIDE OF THE CAGE WHERE THE PCB WOULD BE LOCATED AND AS NOTED. THE SURFACES TO CONFORM TO THE MOLEX COSMETIC DOC PS-45499-002.
- REFER TO AS-76090-001 FOR HIGH SPEED ROUTING RECOMMENDATIONS.
- DATE CODE LOCATION IS SHOWN ABOVE.
 - DATE CODE FORMAT: DDDY MX A1
 - DDD = DAY OF THE YEAR
 - Y = YEAR
 - MX = MOLEX
 - A = ALPHA CHARACTER - INDICATES MANUFACTURING LINE
 - 1 = NUMERIC CHARACTER - INDICATES PRODUCTION SHIFT



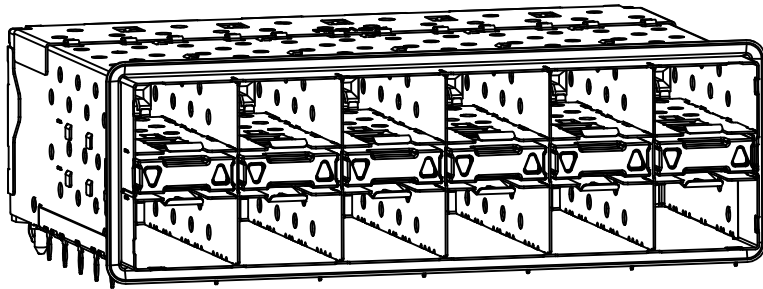
REV	DESCRIPTION	QUALITY SYMBOLS	GENERAL TOLERANCES (UNLESS SPECIFIED)		DIMENSION STYLE		SCALE	DESIGN UNITS	THIRD ANGLE PROJECTION
			mm	INCH	MM ONLY	DATE			
D	ADD NOTE 7 & 8 EC NO: UCP2011-2594 DRWN:WOLFE 2011/03/08 CHKD:BBARKER 2011/03/08 APPR:SMILLER 2011/09/20	▽=0 ▽=0 ▽=0	4 PLACES ± ---	± ---	DRAWN BY JLONG	DATE 01-18-2007	3:1	METRIC	MOLEX INCORPORATED
			3 PLACES ± ---	± ---	CHECKED BY MSANDBERG	DATE 01-18-2007			
			2 PLACES ± 0.13	± ---	APPROVED BY RNELSON	DATE 01-18-2007			
			1 PLACE ± 0.25	± ---	MATERIAL NO. SEE TABLE				
			ANGULAR ± 5 °		SIZE C				
			DRAFT WHERE APPLICABLE MUST REMAIN WITHIN DIMENSIONS		THIS DRAWING CONTAINS INFORMATION THAT IS PROPRIETARY TO MOLEX INCORPORATED AND SHOULD NOT BE USED WITHOUT WRITTEN PERMISSION				
					DOCUMENT NO. SD-76094-001				SHEET NO. 1 OF 4



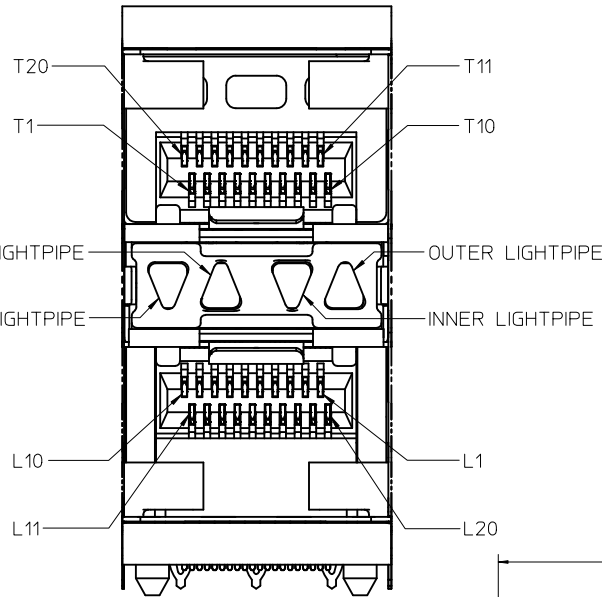
760940001 AND 760945001
WITH INNER AND OUTER LIGHTPIPES



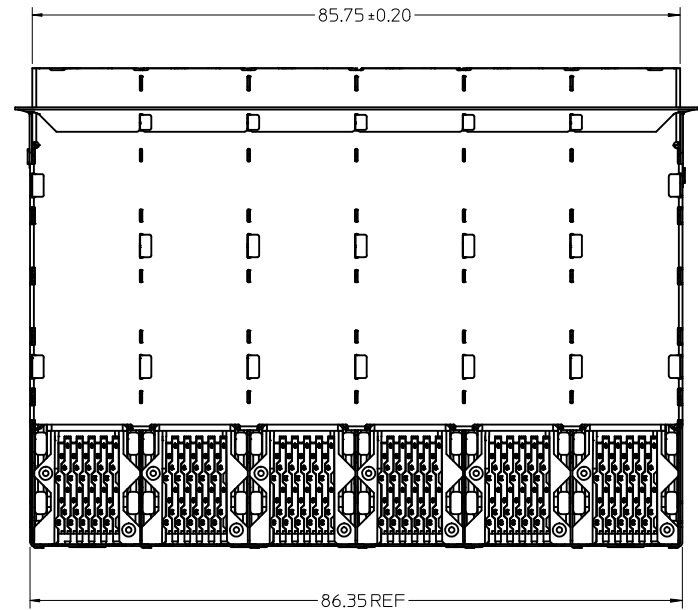
760940002 AND 760945002
WITH INNER LIGHTPIPES



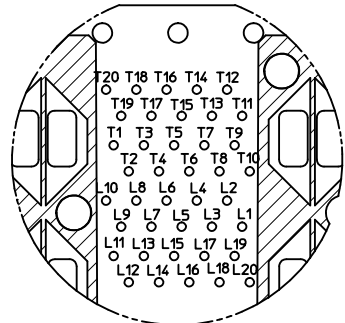
760940003 AND 760945003
WITH OUTER LIGHTPIPES



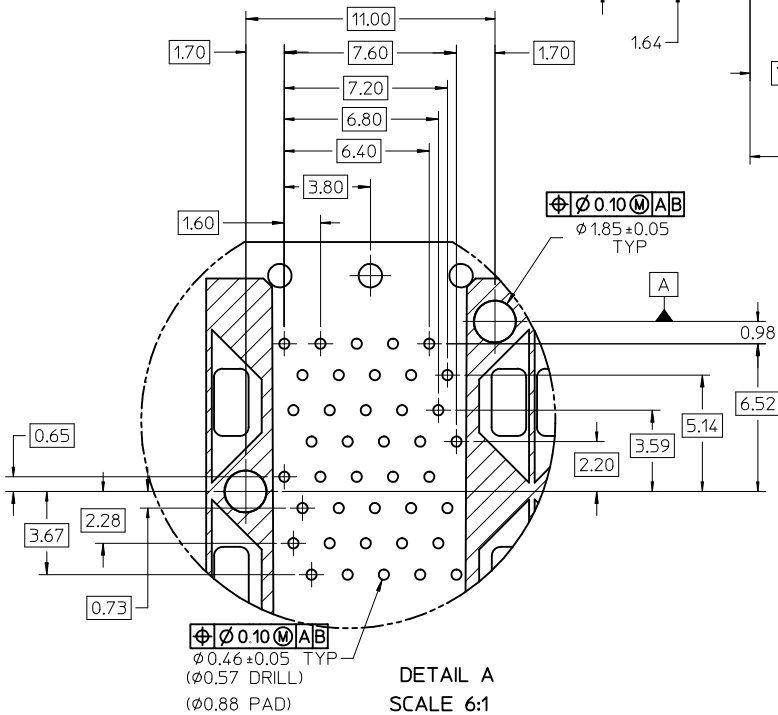
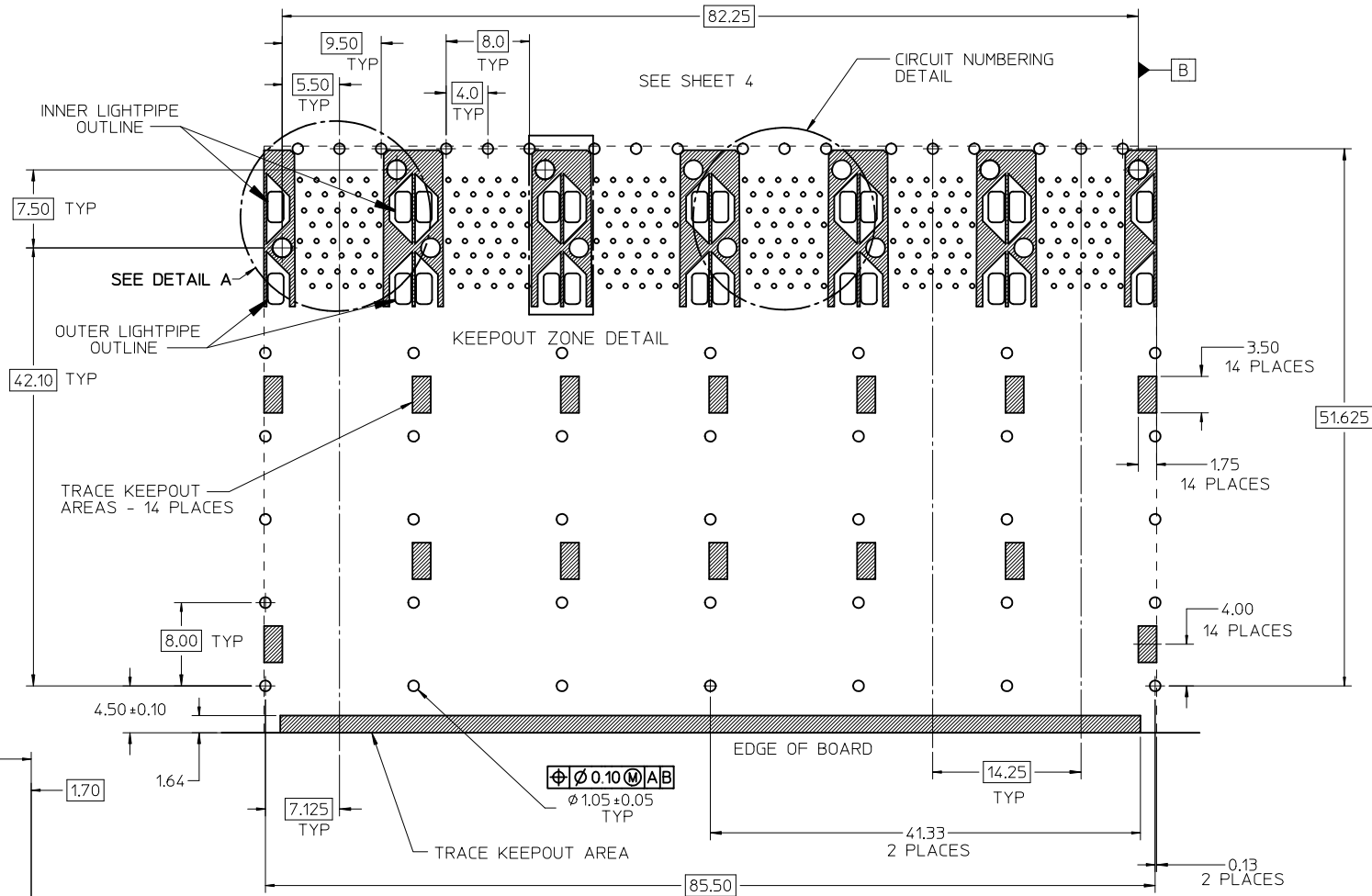
DETAIL B
SCALE 5:1
CIRCUIT NUMBERING
AND LIGHTPIPE
IDENTIFICATION



ADD DETAIL B EC NO: UCP2011-2594 DRWN:MWOLFE 2011/03/08 CHKD:BBARKER 2011/03/08 APPR:SMILLER 2011/09/20	QUALITY SYMBOLS ▽=0 ▽=0 ▽=0	GENERAL TOLERANCES (UNLESS SPECIFIED)		DIMENSION STYLE MM ONLY	SCALE 2:1	DESIGN UNITS METRIC	THIRD ANGLE PROJECTION	
		4 PLACES ± --- ± ---	3 PLACES ± --- ± ---	DRAWN BY JLONG	DATE 01-18-2007	TITLE STACKED SFP+ 2X6 ASS'Y WITH ELASTOMERIC GASKET		
		2 PLACES ± 0.13 ± ---	1 PLACE ± 0.25 ± ---	CHECKED BY MSANDBERG	DATE 01-18-2007	MOLEX INCORPORATED		
		ANGULAR ± 5 °		APPROVED BY RNELSON	DATE 01-18-2007	MATERIAL NO. SEE TABLE	DOCUMENT NO. SD-76094-001	SHEET NO. 2 OF 4
DRAFT WHERE APPLICABLE MUST REMAIN WITHIN DIMENSIONS		SIZE C		THIS DRAWING CONTAINS INFORMATION THAT IS PROPRIETARY TO MOLEX INCORPORATED AND SHOULD NOT BE USED WITHOUT WRITTEN PERMISSION				



CIRCUIT NUMBERING
COMPONENT SIDE OF BOARD
SCALE 5:1



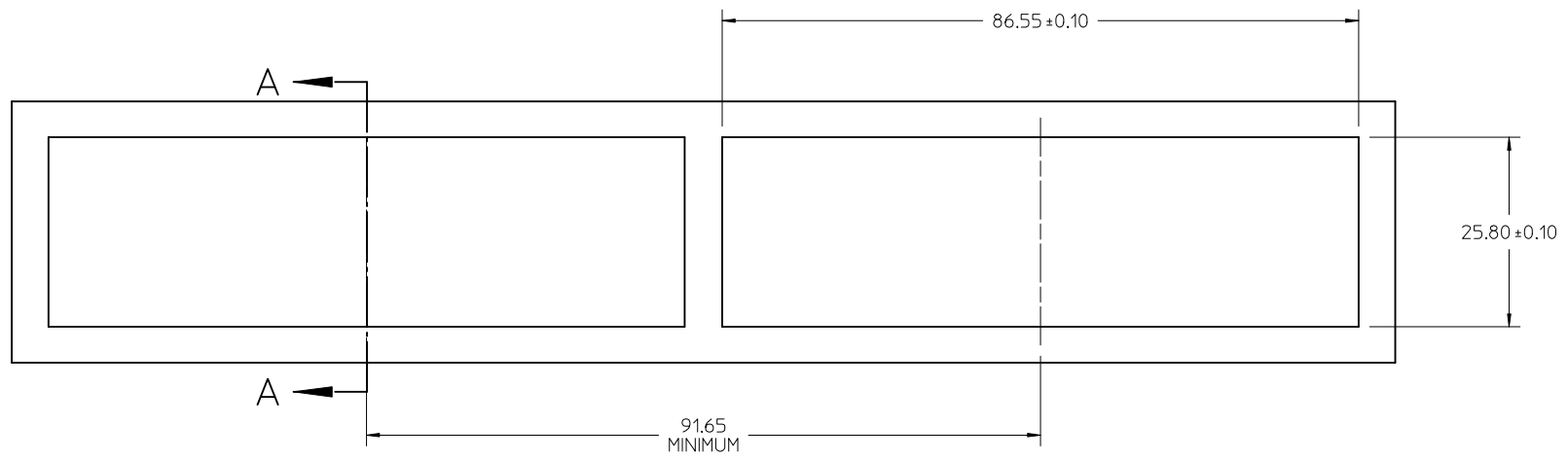
DETAIL A
SCALE 6:1

RECOMMENDED PCB LAYOUT - COMPONENT SIDE
RECOMMENDED PCB THICKNESS - 2.36 MM (.093 INCH)

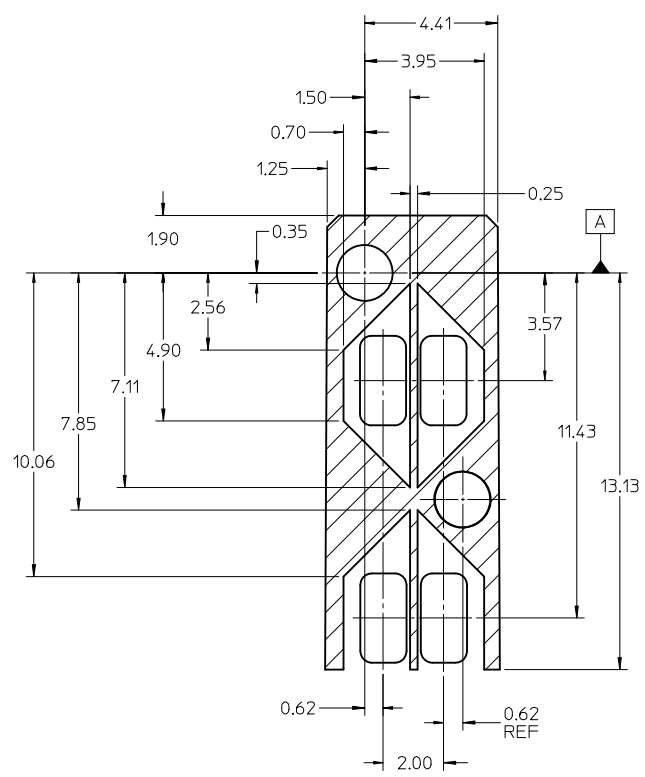
THE ENTIRE AREA OF THE CONNECTOR FOOTPRINT
TO BE CONSIDERED THE KEEP OUT AREA FOR COMPONENTS
(OTHER THAN LIGHTPIPE LED'S).

THIS AREA IS INDICATED BY THE DASHED LINE

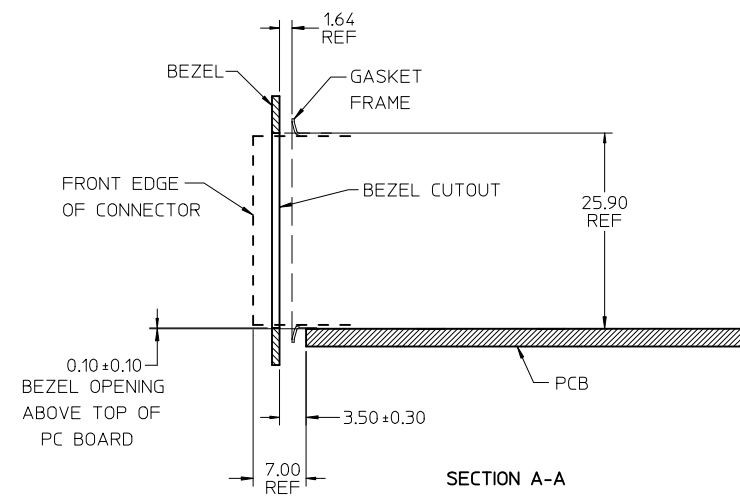
CHG DETAIL CALLOUT EC NO: UCP2011-2594 DRWN:WOLFE 2011/03/08 CHKD:BBARKER 2011/03/08 APPR:SMILLER 2011/09/20 REV: D	QUALITY SYMBOLS $\nabla = 0$ $\nabla = 0$ $\nabla = 0$	GENERAL TOLERANCES (UNLESS SPECIFIED)		DIMENSION STYLE MM ONLY		SCALE 3:1	DESIGN UNITS METRIC	THIRD ANGLE PROJECTION		
			mm	INCH	DRAWN BY	DATE	STACKED SFP+ 2X6 ASS'Y WITH ELASTOMERIC GASKET			
		4 PLACES	± ---	± ---	JLONG	01-18-2007				
		3 PLACES	± ---	± ---	CHECKED BY	DATE	MOLEX INCORPORATED			
2 PLACES	± 0.13	± ---	MSANDBERG	01-18-2007						
1 PLACE	± 0.25	± ---	APPROVED BY	DATE	MATERIAL NO. SEE TABLE		DOCUMENT NO. SD-76094-001		SHEET NO. 3 OF 4	
DRAFT WHERE APPLICABLE MUST REMAIN WITHIN DIMENSIONS		ANGULAR ± 5 °		SIZE C		THIS DRAWING CONTAINS INFORMATION THAT IS PROPRIETARY TO MOLEX INCORPORATED AND SHOULD NOT BE USED WITHOUT WRITTEN PERMISSION				



BEZEL CUTOUT CENTER SPACING DETAIL
BEZEL THICKNESS 0.8 - 2.6



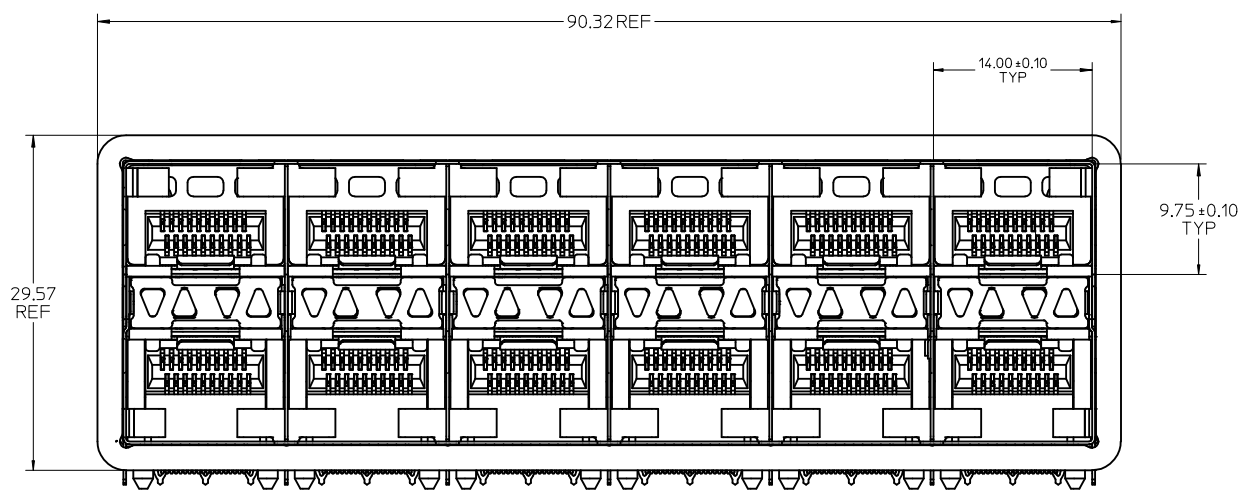
KEEPOUT ZONE DETAIL
SCALE 8:1



SECTION A-A

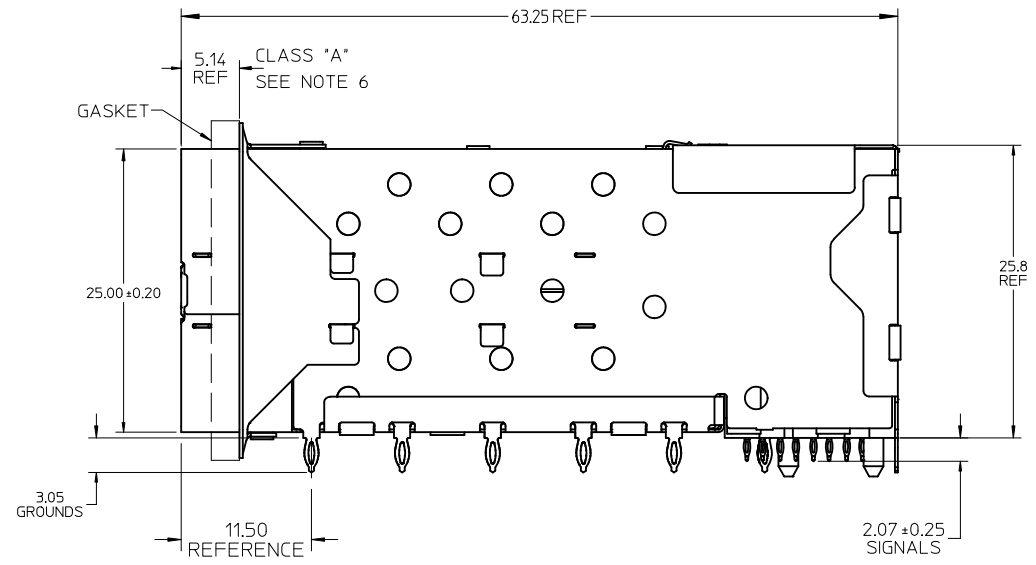
ADD SECOND BEZEL CUTOUT EC NO: UCP2011-2594 DRWN:WOLFE 2011/03/08 CHKD:BBARKER 2011/03/08 APPR:SMILLER 2011/09/20	QUALITY SYMBOLS ∇=0 ∇=0 ∇=0	GENERAL TOLERANCES (UNLESS SPECIFIED)		DIMENSION STYLE MM ONLY		SCALE 2:1	DESIGN UNITS METRIC	THIRD ANGLE PROJECTION		
				DRAWN BY JLONG	DATE 01-18-2007	TITLE STACKED SFP+ 2X6 ASS'Y WITH ELASTOMERIC GASKET				
				CHECKED BY MSANDBERG	DATE 01-18-2007	MOLEX INCORPORATED				
				APPROVED BY RNELSON	DATE 01-18-2007	MATERIAL NO. SEE TABLE		DOCUMENT NO. SD-76094-001	SHEET NO. 4 OF 4	
D	REV	DRAFT WHERE APPLICABLE MUST REMAIN WITHIN DIMENSIONS		SIZE C		THIS DRAWING CONTAINS INFORMATION THAT IS PROPRIETARY TO MOLEX INCORPORATED AND SHOULD NOT BE USED WITHOUT WRITTEN PERMISSION				

PART NUMBER	DESCRIPTION	VIEW	COMPLIANT TAIL PLATING
	4 LIGHT PORTS	SEE PG 2	TIN / LEAD
760946002	INNER 2 PORTS	SEE PG 2	TIN / LEAD
	OUTER 2 PORTS	SEE PG 2	TIN / LEAD
	4 LIGHT PORTS	SEE PG 2	TIN
760947002	INNER 2 PORTS	SEE PG 2	TIN
	OUTER 2 PORTS	SEE PG 2	TIN

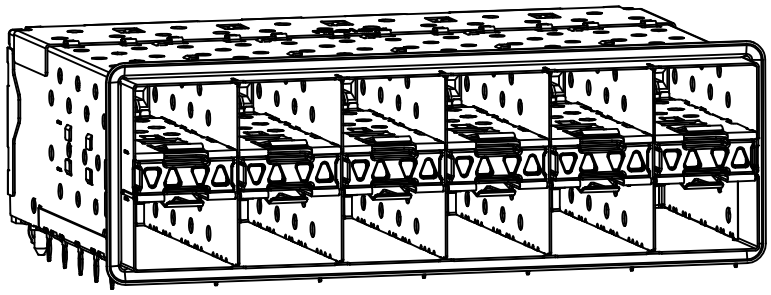


NOTES:

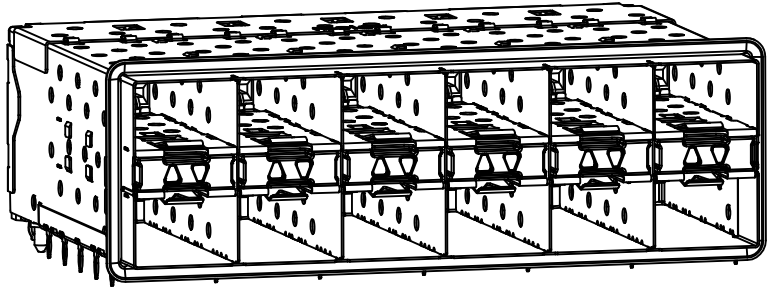
- MATERIAL:
 - CAGE: NICKEL SILVER, THICKNESS: 0.25mm
 - GASKET FLANGE: STAINLESS STEEL
 - EMI GASKET: CONDUCTIVE POLYMER
 - CONNECTOR HOUSING: GLASS FILLED LIQUID CRYSTAL POLYMER (LCP), UL 94V-0, COLOR: BLACK
 - OVERMOLD TERMINAL HOUSING: GLASS FILLED LIQUID CRYSTAL POLYMER (LCP), UL 94V-0, COLOR: BLACK
 - TERMINALS: BRASS
 - LIGHT PIPE: POLYCARBONATE UL 94V-0; COLOR CLEAR
 - LIGHT PIPE HOUSING: ZINC
- FINISH
 - TERMINALS:
 - CONTACT AREA: 0.76 MICROMETERS MINIMUM HARD GOLD OVER 1.27 MICROMETERS MINIMUM NICKEL.
 - COMPLIANT TAIL - TIN/LEAD OPTION: 0.76 - 1.52 MICROMETERS 90/10 TIN/LEAD OVER 0.76 - 1.52 MICROMETERS NICKEL
 - COMPLIANT TAIL - TIN OPTION: 0.76 - 1.52 MICROMETERS TIN OVER 0.76 - 1.52 MICROMETERS NICKEL
 - LIGHT PIPE HOUSING: 80 MICROMETERS MINIMUM NICKEL OVER 30 MICROMETERS MINIMUM COPPER
- REFER TO PS-75310-001 PRODUCT SPEC FOR ALL ELECTRICAL, MECHANICAL AND ENVIRONMENTAL SPECIFICATIONS.
- LIGHT PIPE PAD LAYOUT IS FOR 0805 LOW-PROFILE LED PACKAGE FOR OTHER RECOMMENDED LAYOUTS REFER TO MOLEX'S REPORT TS-75310-001.
- REFER TO PK-75451-001 FOR ALL PACKAGING SPECIFICATIONS.
- THE SURFACES CONFORM TO THE MOLEX COSMETIC SPEC PS-45499-002. ALL EXTERIOR SURFACES TO BE CLASS "B" SURFACE EXCEPT THE UNDERSIDE (CLASS "C") OF THE CAGE (SIDE TOWARD THE PCB) AND AS OTHERWISE NOTED.



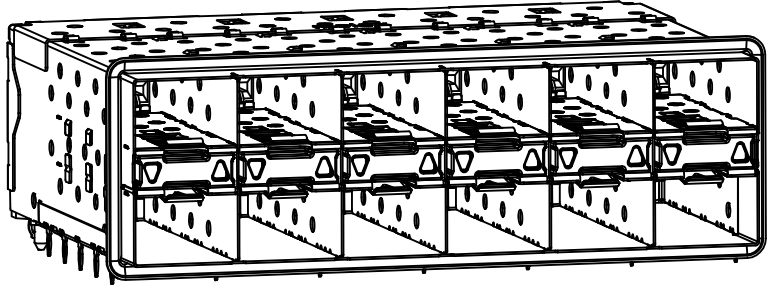
ADD -7002 ASSEMBLY EC NO: UCP2011-3362 DRWN:BBARKER 2011/05/01 CHKD:BSMART APPR:SMILLER 2011/05/09	QUALITY SYMBOLS	GENERAL TOLERANCES (UNLESS SPECIFIED)	DIMENSION STYLE MM ONLY	SCALE 3:1	DESIGN UNITS METRIC	THIRD ANGLE PROJECTION
	▽=0	mm INCH	DRAWN BY BBARKER	DATE 2010/10/19	TITLE STACKED SFP+ 2X6 ASS'Y WITH ELASTOMERIC GASKET ENHANCED EMI SHIELDING	
	▽=0	4 PLACES ± --- ± ---	CHECKED BY	DATE	APPROVED BY SMILLER	
	▽=0	3 PLACES ± --- ± ---	DATE 2011/05/09		DATE 2011/05/09	
		2 PLACES ± 0.13 ± ---	MATERIAL NO.		DOCUMENT NO.	
		1 PLACE ± 0.25 ± ---	SEE TABLE		SD-76094-003	
		ANGULAR ± 5 °	SIZE C		SHEET NO. 1 OF 4	
		DRAFT WHERE APPLICABLE MUST REMAIN WITHIN DIMENSIONS	THIS DRAWING CONTAINS INFORMATION THAT IS PROPRIETARY TO MOLEX INCORPORATED AND SHOULD NOT BE USED WITHOUT WRITTEN PERMISSION			



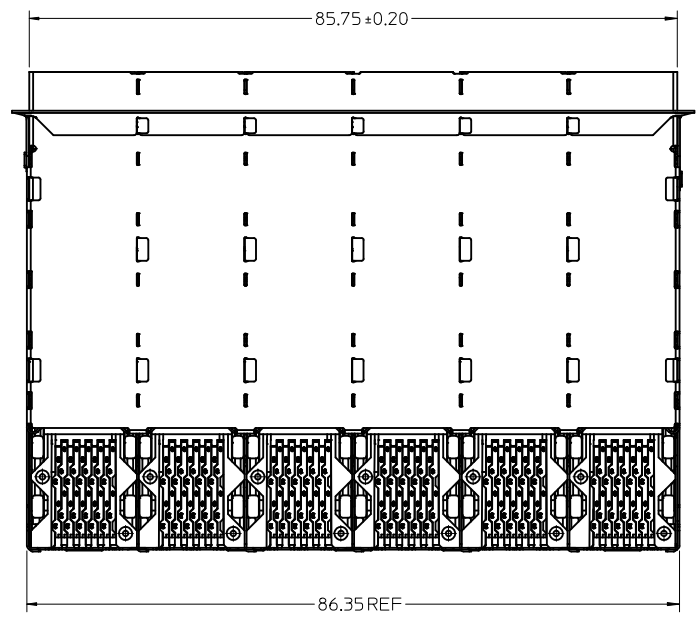
WITH INNER AND OUTER LIGHT PIPES



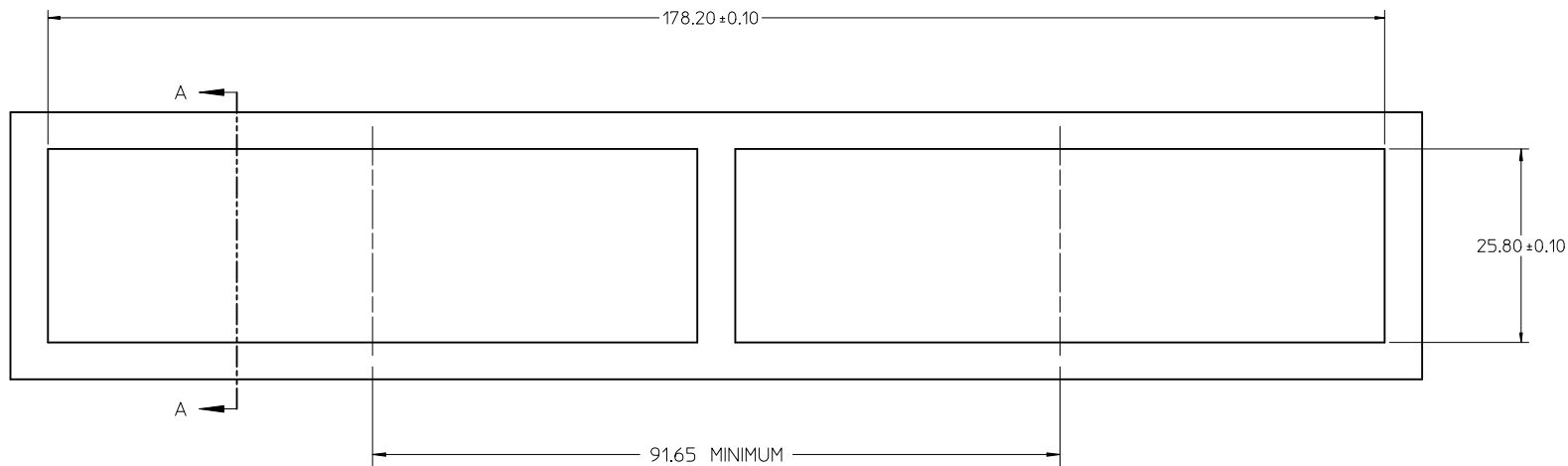
760946002 AND 760947002
WITH INNER LIGHT PIPES



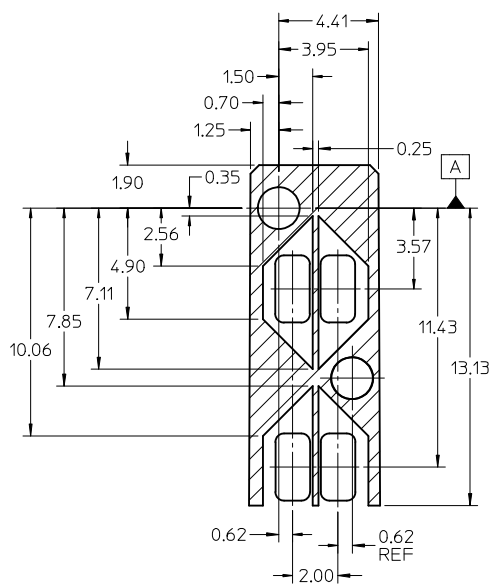
WITH OUTER LIGHT PIPES



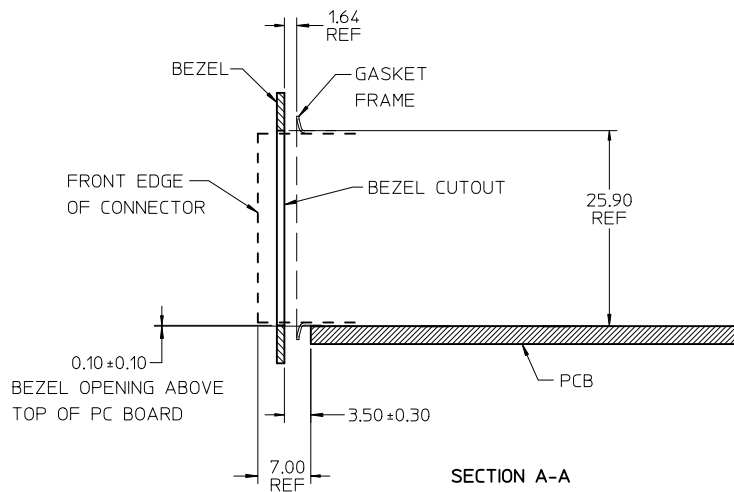
SEE SHEET 1 EC NO: UCP2011-3362 DRWN:BBARKER 2011/05/01 CHKD:BSMART APPR:SMILLER 2011/05/09	QUALITY SYMBOLS ▽=0 ▽=0 ▽=0	GENERAL TOLERANCES (UNLESS SPECIFIED) <table border="1"> <thead> <tr> <th></th> <th>mm</th> <th>INCH</th> </tr> </thead> <tbody> <tr> <td>4 PLACES ±</td> <td>---</td> <td>---</td> </tr> <tr> <td>3 PLACES ±</td> <td>---</td> <td>---</td> </tr> <tr> <td>2 PLACES ±</td> <td>0.13</td> <td>---</td> </tr> <tr> <td>1 PLACE ±</td> <td>0.25</td> <td>---</td> </tr> </tbody> </table>		mm	INCH	4 PLACES ±	---	---	3 PLACES ±	---	---	2 PLACES ±	0.13	---	1 PLACE ±	0.25	---	DIMENSION STYLE MM ONLY DRAWN BY DATE BBARKER 2010/10/19 CHECKED BY DATE	SCALE 2:1 DESIGN UNITS METRIC THIRD ANGLE PROJECTION	TITLE STACKED SFP+ 2X6 ASS'Y WITH ELASTOMERIC GASKET ENHANCED EMI SHIELDING
		mm	INCH																	
	4 PLACES ±	---	---																	
	3 PLACES ±	---	---																	
2 PLACES ±	0.13	---																		
1 PLACE ±	0.25	---																		
DESCRIPTION REV B	APPROVED BY DATE SMILLER 2011/05/09 MATERIAL NO. SEE SHEET 1	MOLEX INCORPORATED DOCUMENT NO. SD-76094-003	SHEET NO. 2 OF 4																	
DRAFT WHERE APPLICABLE MUST REMAIN WITHIN DIMENSIONS		SIZE C	THIS DRAWING CONTAINS INFORMATION THAT IS PROPRIETARY TO MOLEX INCORPORATED AND SHOULD NOT BE USED WITHOUT WRITTEN PERMISSION																	



BEZEL CUTOUT CENTER SPACING DETAIL
BEZEL THICKNESS 0.8 - 2.6



KEEPOUT ZONE DETAIL
SCALE 6:1



SECTION A-A

SEE SHEET 1 EC NO: UCP2011-3362 DRW:BBARKER 2011/05/01 CHKD:BSMART APPR:SMILLER 2011/05/09	DESCRIPTION REV:	QUALITY SYMBOLS ∇=0 ∇=0 ∇=0	GENERAL TOLERANCES (UNLESS SPECIFIED) mm INCH 4 PLACES ± --- ± --- 3 PLACES ± --- ± --- 2 PLACES ± 0.13 ± --- 1 PLACE ± 0.25 ± --- ANGULAR ± 5 °	DIMENSION STYLE MM ONLY DRAWN BY DATE BBARKER 2010/10/19 CHECKED BY DATE	SCALE 2:1 DESIGN UNITS METRIC THIRD ANGLE PROJECTION	TITLE STACKED SFP+ 2X6 ASS'Y WITH ELASTOMERIC GASKET ENHANCED EMI SHIELDING
		APPROVED BY DATE SMILLER 2011/05/09	MOLEX MOLEX INCORPORATED			
		MATERIAL NO. SEE SHEET 1	DOCUMENT NO. SD-76094-003			
		DRAFT WHERE APPLICABLE MUST REMAIN WITHIN DIMENSIONS	SHEET NO. 4 OF 4			

Mouser Electronics

Authorized Distributor

Click to View Pricing, Inventory, Delivery & Lifecycle Information:

[Molex:](#)

[76094-0001](#)