

- NOTES:
- SEE SHEET 4 & 5 FOR CHARTED DIMENSIONS AND PART NUMBERS.
  - FOR FIXED TAIL / PCB PATTERN AT LAST CRICUIT POSITIONS REFER TO SECTION A-A ON SHEET 2 AND PCB LAYOUTS ON SHEET 3.
  - THIS DIMENSION TO MEET SPECIFICATIONS AFTER SHIELD IS FULLY SEATED TO HOUSING AS A RESULT OF A BRACKET OR PANEL.
  - REFER TO PS-79058 PRODUCT SPEC.FOR ELECTRICAL, MECHANICAL AND ENVIROMENTAL SPECIFICATIONS.
  - MATERIAL:  
RECEPTACLE HOUSINGG: GLASS FILLED LIQUID CRYSTAL POLYMER;  
COLOR-BLACK; UL 94V-0  
CONTACTS: PHOSPHOR BRONZE  
SHIELD: STEEL WITH BRIGHT TIN OVER NICKEL PLATING OVER COPPER FLASH.  
GROUNDING CLIP: BRASS WITH TIN OVER NICKEL PLATE
  - PACKAGING:  
PARTS PACKAGED IN TUBES PER PK-70873-0207

**TERMINAL FINISH:**  
SELECTIVE GOLD: THICKNESS= 30 MICROINCHES/(0.76 MICROMETERS) MINIMUM.  
SELECTIVE TIN: THICKNESS= 75 MICROINCHES/(1.90 MICROMETERS) MINIMUM.  
NICKEL UNDERPLATE OVERALL.

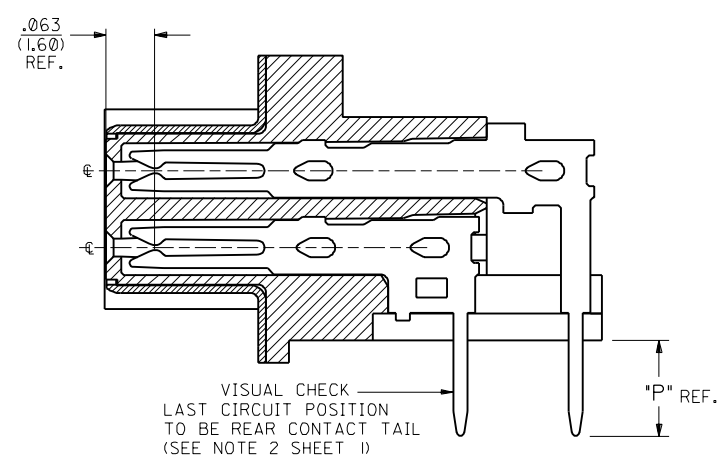
NOTE FOR LEAD FREE CONVERSION:  
THE PRIMARY SHIPPING CARTON WILL BE LABELED "COMPLIANT TO RoHS DIRECTIVE 2002/95/EC AND ELV ANNEX II OF DIRECTIVE 2000/53/EC". CARTONS WITHOUT THIS LABEL MAY CONTAIN PRODUCT WITH LEAD.

5	P
4	P
3	M
2	N
1	P

P	LEADFREE ECN# UCP2004-1925 DMORGAN 04/04/06	N	ADDED .120 DIA. END HOLES PER EC # U80670 J.LONG 97/03/27
O	NOTES ON SHEETS 4 & 5 SCREWLOCKS ECN UCP2004-0240 RWHITE 03/07/31	M1	REMOVED SHIELD PLATING CODE PER EC # U80380 J.LONG 97/07/29
N1	ADDED NOT TOOLED TO CHART PER EC #UDT1999-0167 J.LONG 98/09/08	M	ADDED REVERSE TAIL OPTION PER EC # U70840 J.LONG 97/01/28
LTR.	REVISIONS	LTR.	REVISIONS

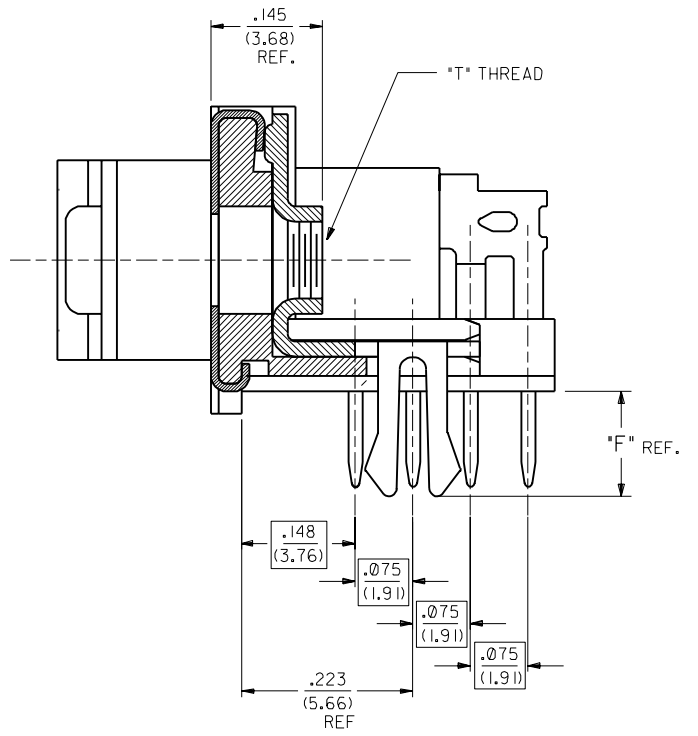
DIMENSIONS SHOWN (METRIC) INCH	
UNLESS OTHERWISE SPECIFIED TOLERANCES: ANGULAR ± 1/2°	
3 PLACE ± .005	---
2 PLACE ± ---	± 0.13
1 PLACE ---	± ---
DRAFT WHERE APPLICABLE MUST REMAIN WITHIN DIMENSIONS	
DRWG. BY: J. Long	CHK'D. BY: BOWEN
APP'D. BY: DJB	SCALE: 4 : 1

REVISE ONLY ON CAD SYSTEM	
TITLE SCSI SHIELDED RECEPTACLE ASSEMBLY WITH LATCHES	
MOLEX INCORPORATED LISLE, ILL. 60532 U.S.A.	SHEET NO. 1 OF 5 DATE 03/27/89
PART NO. SDA-79059-2	DRWG. NO. SDA-79059-2
FILE NAME: S79059-2.DGN	THIS DRAWING CONTAINS INFORMATION THAT IS PROPRIETARY TO MOLEX INC. AND SHOULD NOT BE USED WITHOUT WRITTEN PERMISSION.
DC	DC



SECTION A-A

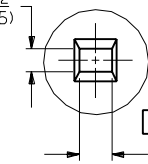
FOR 26, 40, 50 & 68 CIRCUIT STANDARD TAIL AND 50 CIRCUIT REVERSE TAIL VERSION



SECTION B-B

$\text{M} \text{ } \text{Z} \text{X} \text{Y}$   
 $\text{M} \text{ } \text{Z} \text{X} \text{Y}$

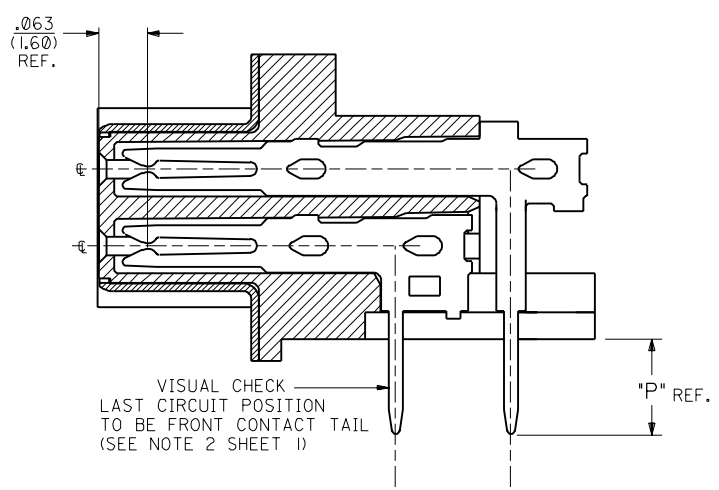
$\text{.024} \pm \text{.002}$   
 $(\text{0},61 \pm \text{0},05)$



$\text{M} \text{ } \text{Z} \text{X} \text{Y}$   
 $\text{M} \text{ } \text{Z} \text{X} \text{Y}$

$\text{.034} \pm \text{.003}$   
 $(\text{0},86 \pm \text{0},08)$

PIN WINDOW DETAIL  
 SCALE 10:1



SECTION A-A

68 CIRCUIT REVERSE TAIL VERSION ONLY

- A-79059-2 \* \* \*
- CKT. SIZE, PLATING, TAIL LENGTH
  - (0,1,2) W/.105 HOLE DIA./#4-40 GND CLIP/STD TAIL
  - (3,4,5) W/.078 HOLE DIA./#2-56 GND CLIP/STD TAIL
  - (6) W/.105 HOLE DIA./NON-THREADED GND CLIP/STD TAIL
  - (7) W/.120 HOLE DIA./ALL VARIATIONS
  - (8) W/.105 HOLE DIA./#4-40 GND CLIP & REVERSE TAIL
  - (9) W/.078 HOLE DIA./#2-56 GND CLIP & REVERSE TAIL

N		SEE SHEET I	L I	SEE SHEET I	DIMENSIONS SHOWN (METRIC) INCH UNLESS OTHERWISE SPECIFIED TOLERANCES: ANGULAR $\pm 1/2^\circ$ <table border="1"> <tr> <th colspan="2">INCH</th> <th colspan="2">METRIC</th> </tr> <tr> <td>3 PLACE</td> <td><math>\pm .005</math></td> <td>---</td> <td>---</td> </tr> <tr> <td>2 PLACE</td> <td><math>\pm</math> ---</td> <td><math>\pm 0.13</math></td> <td>---</td> </tr> <tr> <td>1 PLACE</td> <td>---</td> <td><math>\pm</math> ---</td> <td>---</td> </tr> </table> DRAFT WHERE APPLICABLE MUST REMAIN WITHIN DIMENSIONS	INCH		METRIC		3 PLACE	$\pm .005$	---	---	2 PLACE	$\pm$ ---	$\pm 0.13$	---	1 PLACE	---	$\pm$ ---	---
INCH		METRIC																			
3 PLACE	$\pm .005$	---	---																		
2 PLACE	$\pm$ ---	$\pm 0.13$	---																		
1 PLACE	---	$\pm$ ---	---																		
M I		SEE SHEET I	L	SEE SHEET I																	
M		SEE SHEET I	K	SEE SHEET I																	
LTR.		REVISIONS	LTR.	REVISIONS																	
MFG. SH. REV.																					
TITLE: SCSI SHIELDED RECEPTACLE ASSEMBLY WITH LATCHES PART NO.: MOLEX INCORPORATED SHEET NO.: 2 DATE: 08/14/89 U.S.A.																					
DRAWING NO.: SDA-79059-2 * * * FILE NAME: ST9059L2 DC C																					



STANDARD TAIL PATTERN

ASSEMBLIES WITH .078 DIAMETER END HOLES IN HOUSING AND #2-56 GND CLIPS

EDP/ITEM NUMBER	ENGINEERING NUMBER	CKT. SIZE	HOUSING HOLE DIA.	DIM. T GND CLIP THREAD	DIM. A		DIM. B		DIM. C		DIM. D		DIM. E		DIM. F		DIM. P		RECMD PCB		
					INCH	MM	INCH	MM	INCH	MM	INCH	MM	INCH	MM	INCH	MM	INCH	MM	INCH	MM	INCH
	015-87-6010	A-79059-2300	50	.078	2-56	2.065	52.54	1.830	46.48	1.366	34.69	1.665	42.29	1.200	30.48	.105	2.67	.125	3.18	.062	1.57
	015-87-6023	A-79059-2302	68	.078	2-56	2.515	63.88	2.280	57.91	1.816	46.13	2.115	53.72	1.650	41.91	.105	2.67	.125	3.18	.062	1.57
X		A-79059-2304	26	.078	2-56	1.465	37.21	1.230	31.24	.766	19.46	1.065	27.05	.600	15.24	.105	2.67	.125	3.18	.062	1.57
X		A-79059-2305	40	.078	2-56	1.815	46.10	1.580	40.13	1.116	28.35	1.415	35.94	.950	24.13	.105	2.67	.125	3.18	.062	1.57
X		A-79059-2306	50	.078	2-56	2.065	52.54	1.830	46.48	1.366	34.69	1.665	42.29	1.200	30.48	.105	2.67	.100	2.54	.062	1.57
X		A-79059-2307	68	.078	2-56	2.515	63.88	2.280	57.91	1.816	46.13	2.115	53.72	1.650	41.91	.105	2.67	.100	2.54	.062	1.57
	015-87-6011	A-79059-2400	50	.078	2-56	2.065	52.54	1.830	46.48	1.366	34.69	1.665	42.29	1.200	30.48	.136	3.45	.125	3.18	.093	2.36
	015-87-6024	A-79059-2402	68	.078	2-56	2.515	63.88	2.280	57.91	1.816	46.13	2.115	53.72	1.650	41.91	.136	3.45	.125	3.18	.093	2.36
X		A-79059-2404	26	.078	2-56	1.465	37.21	1.230	31.24	.766	19.46	1.065	27.05	.600	15.24	.136	3.45	.125	3.18	.093	2.36
X		A-79059-2405	40	.078	2-56	1.815	46.10	1.580	40.13	1.116	28.35	1.415	35.94	.950	24.13	.136	3.45	.125	3.18	.093	2.36
	015-87-6012	A-79059-2500	50	.078	2-56	2.065	52.54	1.830	46.48	1.366	34.69	1.665	42.29	1.200	30.48	.168	4.27	.165	4.19	.125	3.18
	015-87-6025	A-79059-2502	68	.078	2-56	2.515	63.88	2.280	57.91	1.816	46.13	2.115	53.72	1.650	41.91	.168	4.27	.165	4.19	.125	3.18
X		A-79059-2504	26	.078	2-56	1.465	37.21	1.230	31.24	.766	19.46	1.065	27.05	.600	15.24	.168	4.27	.165	4.19	.125	3.18
X		A-79059-2505	40	.078	2-56	1.815	46.10	1.580	40.13	1.116	28.35	1.415	35.94	.950	24.13	.168	4.27	.165	4.19	.125	3.18

ASSEMBLIES WITH .105 DIAMETER END HOLES IN HOUSING AND #4-40 AND CUSTOM GND CLIPS

	015-87-6050	A-79059-2000	50	.105	4-40	2.065	52.54	1.830	46.48	1.366	34.69	1.665	42.29	1.200	30.48	.105	2.67	.125	3.18	.062	1.57
	015-87-6020	A-79059-2002	68	.105	4-40	2.515	63.88	2.280	57.91	1.816	46.13	2.115	53.72	1.650	41.91	.105	2.67	.125	3.18	.062	1.57
X		A-79059-2004	26	.105	4-40	1.465	37.21	1.230	31.24	.766	19.46	1.065	27.05	.600	15.24	.105	2.67	.125	3.18	.062	1.57
X		A-79059-2005	40	.105	4-40	1.815	46.10	1.580	40.13	1.116	28.35	1.415	35.94	.950	24.13	.105	2.67	.125	3.18	.062	1.57
X		A-79059-2006	50	.105	4-40	2.065	52.54	1.830	46.48	1.366	34.69	1.665	42.29	1.200	30.48	.105	2.67	.100	2.54	.062	1.57
X		A-79059-2007	68	.105	4-40	2.515	63.88	2.280	57.91	1.816	46.13	2.115	53.72	1.650	41.91	.105	2.67	.100	2.54	.062	1.57
	015-87-6051	A-79059-2100	50	.105	4-40	2.065	52.54	1.830	46.48	1.366	34.69	1.665	42.29	1.200	30.48	.136	3.45	.125	3.18	.093	2.36
	015-87-6021	A-79059-2102	68	.105	4-40	2.515	63.88	2.280	57.91	1.816	46.13	2.115	53.72	1.650	41.91	.136	3.45	.125	3.18	.093	2.36
X		A-79059-2104	26	.105	4-40	1.465	37.21	1.230	31.24	.766	19.46	1.065	27.05	.600	15.24	.136	3.45	.125	3.18	.093	2.36
X		A-79059-2105	40	.105	4-40	1.815	46.10	1.580	40.13	1.116	28.35	1.415	35.94	.950	24.13	.136	3.45	.125	3.18	.093	2.36
	015-87-6052	A-79059-2200	50	.105	4-40	2.065	52.54	1.830	46.48	1.366	34.69	1.665	42.29	1.200	30.48	.168	4.27	.165	4.19	.125	3.18
	015-87-6022	A-79059-2202	68	.105	4-40	2.515	63.88	2.280	57.91	1.816	46.13	2.115	53.72	1.650	41.91	.168	4.27	.165	4.19	.125	3.18
X		A-79059-2204	26	.105	4-40	1.465	37.21	1.230	31.24	.766	19.46	1.065	27.05	.600	15.24	.168	4.27	.165	4.19	.125	3.18
X		A-79059-2205	40	.105	4-40	1.815	46.10	1.580	40.13	1.116	28.35	1.415	35.94	.950	24.13	.168	4.27	.165	4.19	.125	3.18
	015-87-6013	A-79059-2600	50	.105	.101 Ø	2.065	52.54	1.830	46.48	1.366	34.69	1.665	42.29	1.200	30.48	.105	2.67	.125	3.18	.062	1.57
X		A-79059-2602	68	.105	.101 Ø	2.515	63.88	2.280	57.91	1.816	46.13	2.115	53.72	1.650	41.91	.105	2.67	.125	3.18	.062	1.57
X		A-79059-2604	26	.105	.101 Ø	1.465	37.21	1.230	31.24	.766	19.46	1.065	27.05	.600	15.24	.105	2.67	.125	3.18	.062	1.57
X		A-79059-2605	40	.105	.101 Ø	1.815	46.10	1.580	40.13	1.116	28.35	1.415	35.94	.950	24.13	.105	2.67	.125	3.18	.062	1.57

REVERSE TAIL PATTERN

ASSEMBLIES WITH .105 DIAMETER END HOLES IN HOUSING AND #4-40 GND CLIPS - REVERSE TAIL

EDP/ITEM NUMBER	ENGINEERING NUMBER	CKT. SIZE	HOUSING HOLE DIA.	DIM. T GND CLIP THREAD	DIM. A		DIM. B		DIM. C		DIM. D		DIM. E		DIM. F		DIM. P		RECMD PCB		
					INCH	MM	INCH	MM	INCH	MM	INCH	MM	INCH	MM	INCH	MM	INCH	MM	INCH	MM	
	79059-2800	A-79059-2800	68	.105	4-40	2.515	63.88	2.280	57.91	1.816	46.13	2.115	53.72	1.650	41.91	.105	2.67	.125	3.18	.062	1.57

ASSEMBLIES WITH .078 DIAMETER END HOLES IN HOUSING AND #2-56 GND CLIPS - REVERSE TAIL

	79059-2900	A-79059-2900	68	.078	2-56	2.515	63.88	2.280	57.91	1.816	46.13	2.115	53.72	1.650	41.91	.105	2.67	.125	3.18	.062	1.57
--	------------	--------------	----	------	------	-------	-------	-------	-------	-------	-------	-------	-------	-------	-------	------	------	------	------	------	------

X = OPTIONAL CONFIGURATION: NOT TOOLED

NOTE: ASSEMBLIES LISTED ON THIS SHEET HAVE A SMALLER HOLE DIAMETER FOR INSERTION OF SCREWLOCKS USING A POWER DRIVER.

MFG. SH. REV.		REVISE ONLY ON CAD SYSTEM	
P SEE SHEET I		N SEE SHEET I	
O SEE SHEET I		M SEE SHEET I	
LTR. REVISIONS		LTR. REVISIONS	
DIMS. SHOWN (METRIC) INCH UNLESS OTHERWISE SPECIFIED TOLERANCES: ANGULAR ± 1/2°		TITLE	
5 PLACE ± .005 METRIC ---		SCSI SHIELDED RECEPTACLE ASSEMBLY WITH LATCHES	
2 PLACE ± --- ± 0.13		MOLEX INCORPORATED SHEET NO. 4 DATE 08/15/91	
1 PLACE --- ± ---		L15LE,ILL. 60532 U.S.A.	
DRAFT WHERE APPLICABLE MUST REMAIN WITHIN DIMENSIONS		PART NO. SDA-79059-2***	
DRWG. BY DCB CHK'D. BY CAB		SEE CHARTS	
APP'D. BY CAB SCALE 1:1		FILE NAME S79059-2.DGN THIS DRAWING CONTAINS INFORMATION THAT IS PROPRIETARY TO MOLEX INC. AND SHOULD NOT BE USED WITHOUT WRITTEN PERMISSION.	
		DIV. DC	

79059

STANDARD TAIL PATTERN

ASSEMBLIES WITH .120 DIAMETER END HOLES IN HOUSING AND #4-40 GND CLIPS

EDP/ITEM NUMBER	ENGINEERING NUMBER	CKT. SIZE	HOUSING HOLE DIA.	DIM. T GND CLIP THREAD	DIM. A		DIM. B		DIM. C		DIM. D		DIM. E		DIM. F		DIM. P		RECMD PCB	
					INCH	MM	INCH	MM	INCH	MM	INCH	MM	INCH	MM	INCH	MM	INCH	MM	INCH	MM
79059-2701	A-79059-2701	50	.120	4-40	2.065	52.54	1.830	46.48	1.366	34.69	1.665	42.29	1.200	30.48	.105	2.67	.125	3.18	.062	1.57
79059-2702	A-79059-2702	68	.120	4-40	2.515	63.88	2.280	57.91	1.816	46.13	2.115	53.72	1.650	41.91	.105	2.67	.125	3.18	.062	1.57
X	A-79059-2703	26	.120	4-40	1.465	37.21	1.230	31.24	.766	19.46	1.065	27.05	.600	15.24	.105	2.67	.125	3.18	.062	1.57
X	A-79059-2704	40	.120	4-40	1.815	46.10	1.580	40.13	1.116	28.35	1.415	35.94	.950	24.13	.105	2.67	.125	3.18	.062	1.57
X	A-79059-2705	50	.120	4-40	2.065	52.54	1.830	46.48	1.366	34.69	1.665	42.29	1.200	30.48	.105	2.67	.100	2.54	.062	1.57
X	A-79059-2706	68	.120	4-40	2.515	63.88	2.280	57.91	1.816	46.13	2.115	53.72	1.650	41.91	.105	1.78	.100	2.54	.062	1.57
79059-2707	A-79059-2707	50	.120	4-40	2.065	52.54	1.830	46.48	1.366	34.69	1.665	42.29	1.200	30.48	.136	3.45	.125	3.18	.093	2.36
79059-2708	A-79059-2708	68	.120	4-40	2.515	63.88	2.280	57.91	1.816	46.13	2.115	53.72	1.650	41.91	.136	3.45	.125	3.18	.093	2.36
X	A-79059-2709	26	.120	4-40	1.465	37.21	1.230	31.24	.766	19.46	1.065	27.05	.600	15.24	.136	3.45	.125	3.18	.093	2.36
X	A-79059-2710	40	.120	4-40	1.815	46.10	1.580	40.13	1.116	28.35	1.415	35.94	.950	24.13	.136	3.45	.125	3.18	.093	2.36
79059-2711	A-79059-2711	50	.120	4-40	2.065	52.54	1.830	46.48	1.366	34.69	1.665	42.29	1.200	30.48	.168	4.27	.165	4.19	.125	3.18
79059-2712	A-79059-2712	68	.120	4-40	2.515	63.88	2.280	57.91	1.816	46.13	2.115	53.72	1.650	41.91	.168	4.27	.165	4.19	.125	3.18
X	A-79059-2713	26	.120	4-40	1.465	37.21	1.230	31.24	.766	19.46	1.065	27.05	.600	15.24	.168	4.27	.165	4.19	.125	3.18
X	A-79059-2714	40	.120	4-40	1.815	46.10	1.580	40.13	1.116	28.35	1.415	35.94	.950	24.13	.168	4.27	.165	4.19	.125	3.18
79059-2715	A-79059-2715	50	.120	.101Ø	2.065	52.54	1.830	46.48	1.366	34.69	1.665	42.29	1.200	30.48	.105	2.67	.125	3.18	.062	1.57
X	A-79059-2716	68	.120	.101Ø	2.515	63.88	2.280	57.91	1.816	46.13	2.115	53.72	1.650	41.91	.105	2.67	.125	3.18	.062	1.57
X	A-79059-2717	26	.120	.101Ø	1.465	37.21	1.230	31.24	.766	19.46	1.065	27.05	.600	15.24	.105	2.67	.125	3.18	.062	1.57
X	A-79059-2718	40	.120	.101Ø	1.815	46.10	1.580	40.13	1.116	28.35	1.415	35.94	.950	24.13	.105	2.67	.125	3.18	.062	1.57

ASSEMBLIES WITH .120 DIAMETER END HOLES IN HOUSING AND #2-56 AND CUSTOM GND CLIPS

79059-2720	A-79059-2720	50	.120	2-56	2.065	52.54	1.830	46.48	1.366	34.69	1.665	42.29	1.200	30.48	.105	2.67	.125	3.18	.062	1.57
79059-2721	A-79059-2721	68	.120	2-56	2.515	63.88	2.280	57.91	1.816	46.13	2.115	53.72	1.650	41.91	.105	2.67	.125	3.18	.062	1.57
X	A-79059-2722	26	.120	2-56	1.465	37.21	1.230	31.24	.766	19.46	1.065	27.05	.600	15.24	.105	2.67	.125	3.18	.062	1.57
X	A-79059-2723	40	.120	2-56	1.815	46.10	1.580	40.13	1.116	28.35	1.415	35.94	.950	24.13	.105	2.67	.125	3.18	.062	1.57
X	A-79059-2724	50	.120	2-56	2.065	52.54	1.830	46.48	1.366	34.69	1.665	42.29	1.200	30.48	.105	2.67	.100	2.54	.062	1.57
X	A-79059-2725	68	.120	2-56	2.515	63.88	2.280	57.91	1.816	46.13	2.115	53.72	1.650	41.91	.105	2.67	.100	2.54	.062	1.57
79059-2726	A-79059-2726	50	.120	2-56	2.065	52.54	1.830	46.48	1.366	34.69	1.665	42.29	1.200	30.48	.136	3.45	.125	3.18	.093	2.36
79059-2727	A-79059-2727	68	.120	2-56	2.515	63.88	2.280	57.91	1.816	46.13	2.115	53.72	1.650	41.91	.136	3.45	.125	3.18	.093	2.36
X	A-79059-2728	26	.120	2-56	1.465	37.21	1.230	31.24	.766	19.46	1.065	27.05	.600	15.24	.136	3.45	.125	3.18	.093	2.36
X	A-79059-2729	40	.120	2-56	1.815	46.10	1.580	40.13	1.116	28.35	1.415	35.94	.950	24.13	.136	3.45	.125	3.18	.093	2.36
79059-2730	A-79059-2730	50	.120	2-56	2.065	52.54	1.830	46.48	1.366	34.69	1.665	42.29	1.200	30.48	.168	4.27	.165	4.19	.125	3.18
79059-2731	A-79059-2731	68	.120	2-56	2.515	63.88	2.280	57.91	1.816	46.13	2.115	53.72	1.650	41.91	.168	4.27	.165	4.19	.125	3.18
X	A-79059-2732	26	.120	2-56	1.465	37.21	1.230	31.24	.766	19.46	1.065	27.05	.600	15.24	.168	4.27	.165	4.19	.125	3.18
X	A-79059-2733	40	.120	2-56	1.815	46.10	1.580	40.13	1.116	28.35	1.415	35.94	.950	24.13	.168	4.27	.165	4.19	.125	3.18

REVERSE TAIL PATTERN

ASSEMBLIES WITH .120 DIAMETER END HOLES IN HOUSING AND #4-40 GND CLIPS

EDP/ITEM NUMBER	ENGINEERING NUMBER	CKT. SIZE	HOUSING HOLE DIA.	DIM. T GND CLIP THREAD	DIM. A		DIM. B		DIM. C		DIM. D		DIM. E		DIM. F		DIM. P		RECMD PCB	
					INCH	MM	INCH	MM	INCH	MM	INCH	MM	INCH	MM	INCH	MM	INCH	MM	INCH	MM
79059-2719	A-79059-2719	68	.120	4-40	2.515	63.88	2.280	57.91	1.816	46.13	2.115	53.72	1.650	41.91	.105	2.67	.125	3.18	.062	1.57

ASSEMBLIES WITH .120 DIAMETER END HOLES IN HOUSING AND #2-56 GND CLIPS

79059-2734	A-79059-2734	68	.120	2-56	2.515	63.88	2.280	57.91	1.816	46.13	2.115	53.72	1.650	41.91	.105	2.67	.125	3.18	.062	1.57
------------	--------------	----	------	------	-------	-------	-------	-------	-------	-------	-------	-------	-------	-------	------	------	------	------	------	------

X = OPTIONAL CONFIGURATION: NOT TOOLED

NOTE: ASSEMBLIES LISTED ON THIS SHEET HAVE A LARGER HOLE DIAMETER FOR INSERTION OF SCREWLOCKS USING A MANUAL DRIVER.

P	SEE SHEET I	N	SEE SHEET I
O	SEE SHEET I	MI	SEE SHEET I
NI	SEE SHEET I	M	SEE SHEET I
LTR.	REVISIONS	LTR.	REVISIONS

DIMENSIONS SHOWN (METRIC) INCH	
UNLESS OTHERWISE SPECIFIED TOLERANCES: ANGULAR $\pm 1/2^\circ$	
5 PLACE $\pm .005$	INCH METRIC
2 PLACE $\pm .01$	$\pm .13$
1 PLACE $\pm .05$	$\pm .05$
DRAFT WHERE APPLICABLE MUST REMAIN WITHIN DIMENSIONS	
DRWG. BY: <i>J. Long</i>	CHK'D. BY: <i>J. Long</i>
APP'D. BY: <i>DJB</i>	SCALE: 1:1

MFG. SH. REV.		REVISE ONLY ON CAD SYSTEM	
TITLE: SC51 SHIELDED RECEPTACLE ASSEMBLY WITH LATCHES			
MOLEX INCORPORATED	SHEET NO. 5	DATE 97/01/28	
115LE.ILL. 68532	U.S.A.		
SEE CHARTS		SDA-79059-2***	
FILE NAME: S79059.DGN	THIS DRAWING CONTAINS INFORMATION THAT IS PROPRIETARY TO MOLEX INC. AND SHOULD NOT BE USED WITHOUT WRITTEN PERMISSION.		DC C

79059