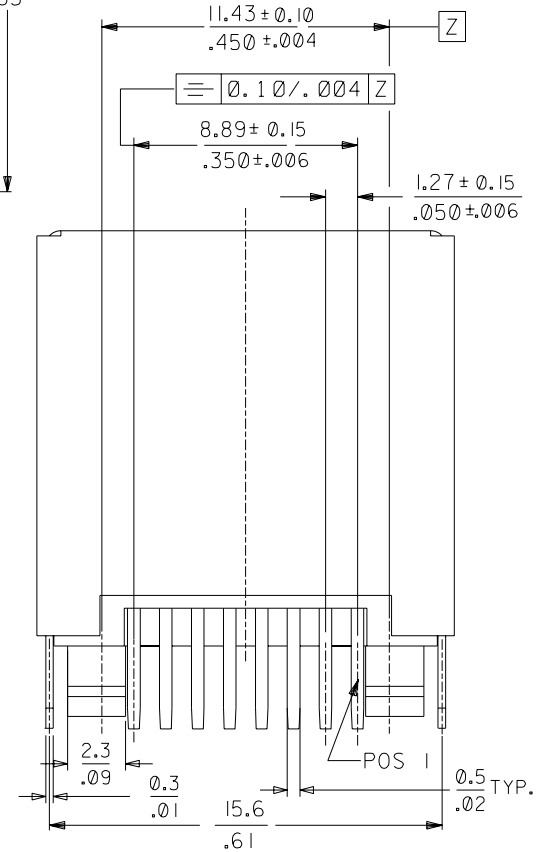
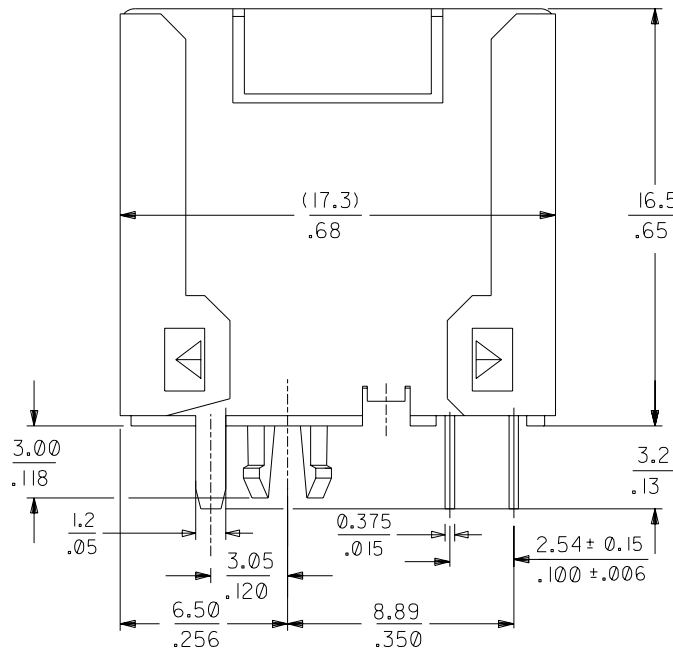
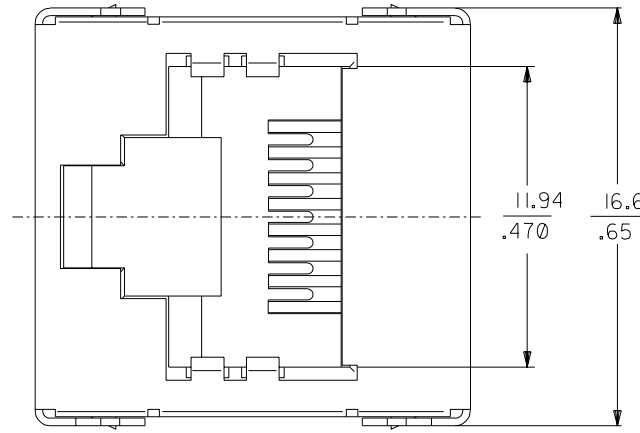
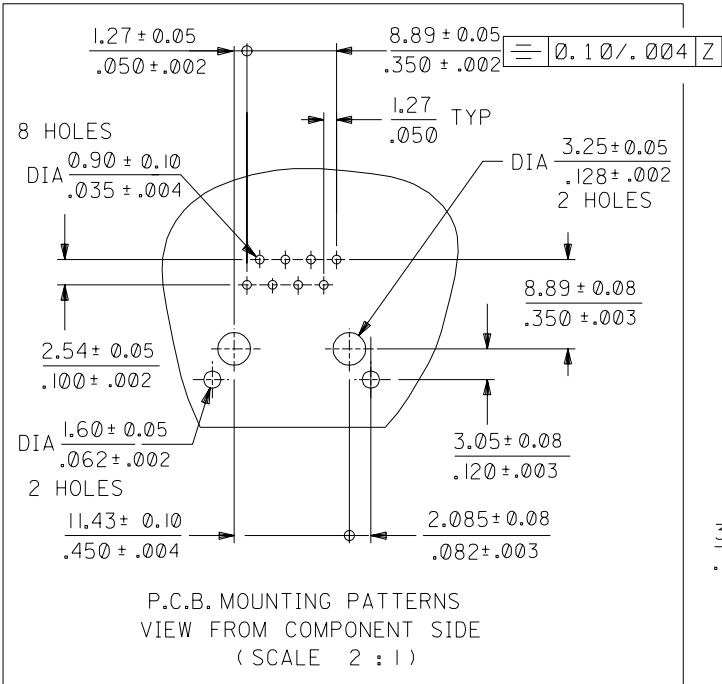


PART NO. SEE CHART
 DWG. NO. SD-85508-001

TECHNICAL SPECIFICATIONS:

1- MATERIAL: HOUSING: POLYESTER G.F. UL94V0
 COLOR : BLACK
 TERMINAL : PHOSPHOR BRONZE PLATED WITH
 0.00127-0.00152/.000050-.000060 GOLD
 IN CONTACT AREA , 0.00190/.000075 MIN
 (90/10) TIN/LEAD IN TAIL AREA BOTH OVER
 0.00127/.000050 MIN NICKEL OVERALL
 SHIELD : BRASS PLATED WITH 0.0020/.000078
 MIN TIN/LEAD

PART NUMBER	TOOLED	PCB THICKNESS
85508-0001	YES	1.57/.062
85508-0002	NO	1.20/.047



NOTES :

- 1- JACK FOR MATING WITH F.C.C. 68 PLUGS 95043 MOLEX SERIES.
- 2- PRODUCT SPECIFICATION: MOLEX PS-85505.
- 3- APPLICATION SPECIFICATION: MOLEX AS-95001.
- 4- PACKAGING SPECIFICATION: MOLEX PK-95123.
- 5- P.C. BOARD THICKNESS (SEE CHART) DIM A
- 6- EXCEEDS CATEGORY 5 PERFORMANCE.

EC NO. MC2004-0214 DRWN: RK 03/11/03 CHK: SS 03/11/03 APPR: MH 03/11/03	QUALITY SYMBOLS MAJOR = CRITICAL =	GENERAL TOLERANCES: (UNLESS SPECIFIED)		SCALE 5:1	DESIGN UNITS <input checked="" type="checkbox"/> mm <input type="checkbox"/> INCH	THIRD ANGLE PROJECTION	DIMENSIONS: <input checked="" type="checkbox"/> mm <input type="checkbox"/> INCH <input type="checkbox"/> mm <input type="checkbox"/> ONLY	SHT REV
		4 PLACES ±0. ±. 3 PLACES ±0. ±.010 2 PLACES ±0.25 ±.014 1 PLACE ±0.35 ±. ANGULAR: ± 1/2°	DRAWN BY & DATE HB 99/07/07	TITLE: HIGH SPEED MODULAR JACK TOP ENTRY 8 CKTS THROUGH HOLE VERSION		MOLEX MOLEX INCORPORATED	MATERIAL NO. SEE CHART	DRAWING NO. SD-85508-001
REV C	DESCRIPTION	DRAFT WHERE APPLICABLE MUST REMAIN WITHIN DIMENSIONS		CAD FILENAME		THIS DRAWING CONTAINS INFORMATION THAT IS PROPRIETARY TO MOLEX INCORPORATED AND SHOULD NOT BE USED WITHOUT WRITTEN PERMISSION.		SIZE B