

MATERIAL NUMBER	NUMBERS OF PORTS	DIM -C-	DIM -D-	SEE NOTE
85586-1003	4/4	4.0/0.157	3.8/0.150	12

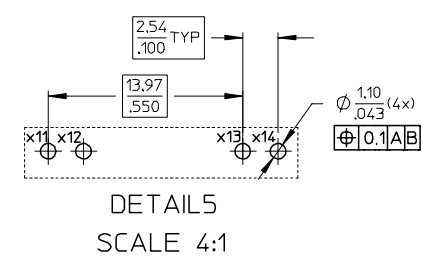
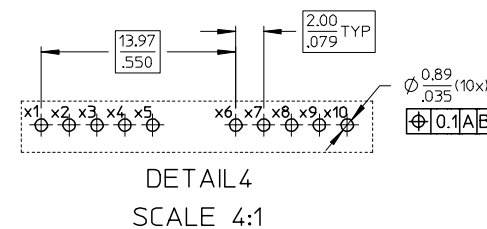
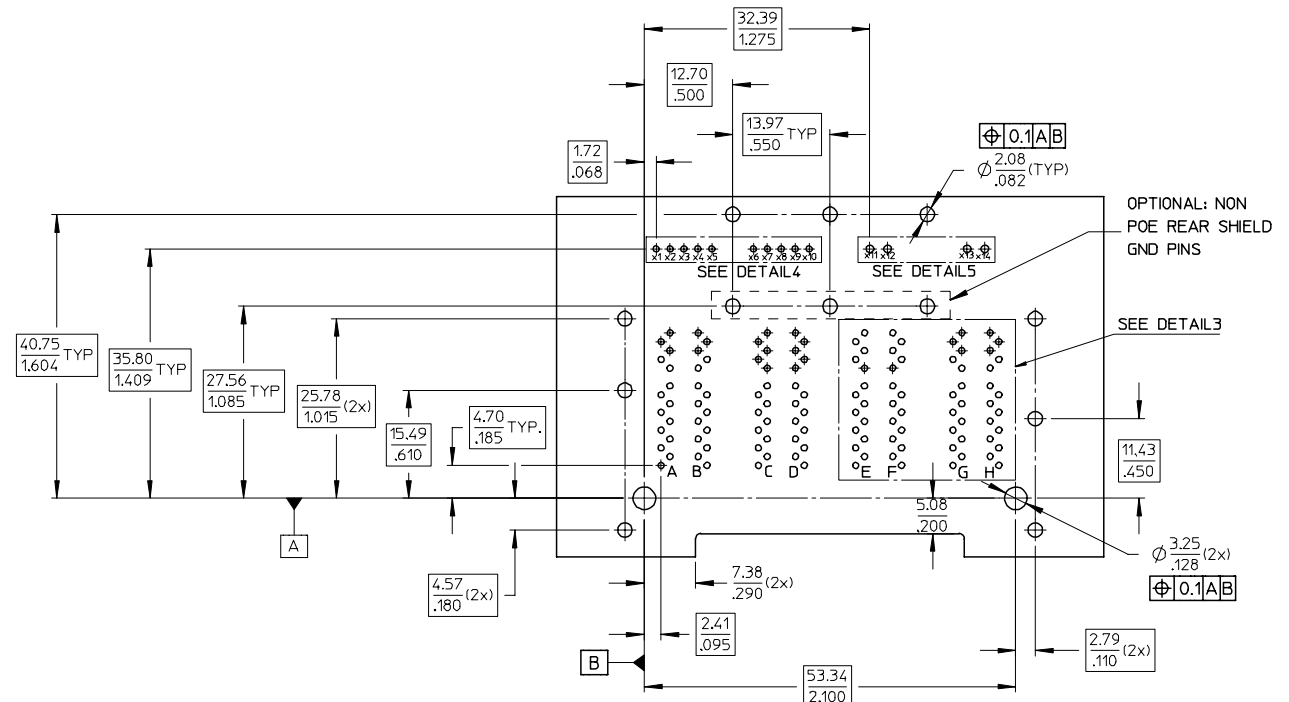
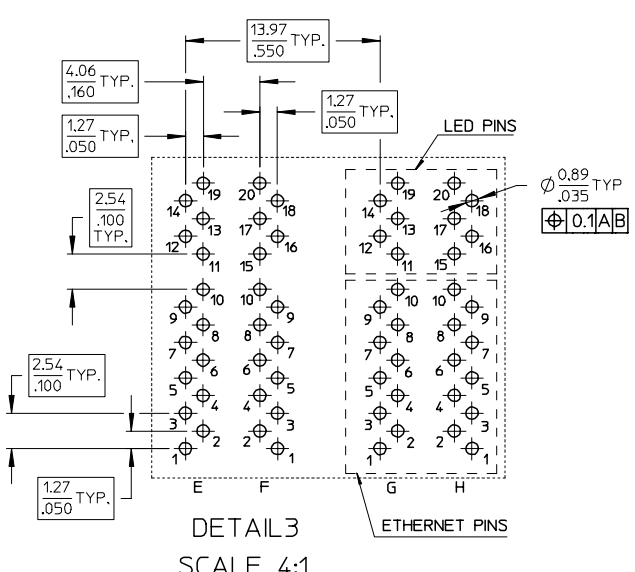
PATENTS PENDING

- NOTES:
- 1- SHIELD MATERIAL: BRASS; PLATING: NICKEL
 - 2- HOUSING MATERIAL: THERMOPLASTIC UL 94-V0, COLOR BLACK
 - 3- TERMINAL: PHOSPHOR BRONZE
PLATING:
POSTPLATE OR SPOTPLATE 0.00127 / .00005 MIN GOLD
OVER 0.00127 / .00005 MIN NICKEL IN CONTACT AREA
0.00190 / .000075 MIN 100% TIN IN TAIL AREA, BOTH OVER
0.00127 / .000050 MIN NICKEL OVER ALL.
 - 4- JACK TO BE MATCHED WITH F.C.C. 68.5 PLUGS (MOLEX-PLUGS: 85568,95043,90075-SERIES)
 - 5- PRODUCT SPECIFICATION: PS-85586-001
 - 6- PACKAGING SPECIFICATION: PK-85586-001
 - 7- RECOMMENDED PCB LAYOUT AND PANEL CUT OUT SEE SHEET 2
 - 8- NO TRACES WITHOUT INSULATION ALLOWED ON BOARD PCB IN THIS DASHED AREAS UNDER THE METAL SHIELD
 - 9- PIN LENGTH FOR RECOMMENDED PCB MAX. THICKNESS OF .140" REFER TO STANDARD IPC 610 REVISION C, CLASS 2
 - 10- STAND-OFF PLANE TO CUSTOMER PCB
 - 11- PLEASE REQUEST MOLEX FOR A FRENCH INSTALLATION MANUAL IF DISTRIBUTED IN CANADA

EC NO. MG2007-0091 2007/03/19 DRAWN: RSCHIEBER 2007/03/19 CHKD: MARLT 2007/03/26 APPR: AVOGT 2007/03/26	QUALITY SYMBOLS ▽=0 ▽=0	GENERAL TOLERANCES (UNLESS SPECIFIED) <table border="1"> <tr> <th></th> <th>mm</th> <th>INCH</th> </tr> <tr> <td>4 PLACES</td> <td>± .15</td> <td>± .006</td> </tr> <tr> <td>3 PLACES</td> <td>± .15</td> <td>± .01</td> </tr> <tr> <td>2 PLACES</td> <td>± 0.25</td> <td>± .01</td> </tr> <tr> <td>1 PLACE</td> <td>± 0.25</td> <td>± .01</td> </tr> </table>		mm	INCH	4 PLACES	± .15	± .006	3 PLACES	± .15	± .01	2 PLACES	± 0.25	± .01	1 PLACE	± 0.25	± .01	DIMENSION STYLE MM/IN DRAWN BY: RSCHIEBER DATE: 2005/12/08 CHECKED BY: SSTE INKE DATE: 2005/12/08 APPROVED BY: AVOGT DATE: 2005/12/08	SCALE: 2:1 DESIGN UNITS: METRIC THIRD ANGLE PROJECTION	TITLE: HYPERJACK 1000 POE-MODULE 2X4 W. POWER OVER PIN (POP), SWAPPED PORTS MOLEX INCORPORATED
		mm	INCH																	
4 PLACES	± .15	± .006																		
3 PLACES	± .15	± .01																		
2 PLACES	± 0.25	± .01																		
1 PLACE	± 0.25	± .01																		
DRAFT WHERE APPLICABLE MUST REMAIN WITHIN DIMENSIONS SEE CHART THIS DRAWING CONTAINS INFORMATION THAT IS PROPRIETARY TO MOLEX INCORPORATED AND SHOULD NOT BE USED WITHOUT WRITTEN PERMISSION	MATERIAL NO.: SD-85586-013 DOCUMENT NO.: SHEET NO. 1 OF 3																			

13 12 11 10 9 8 7 6 5 4 3 2 1

J
I
H
G
F
E
D
C
B
A



PRELIMINARY FOR
PROTO 1

PATENTS PENDING

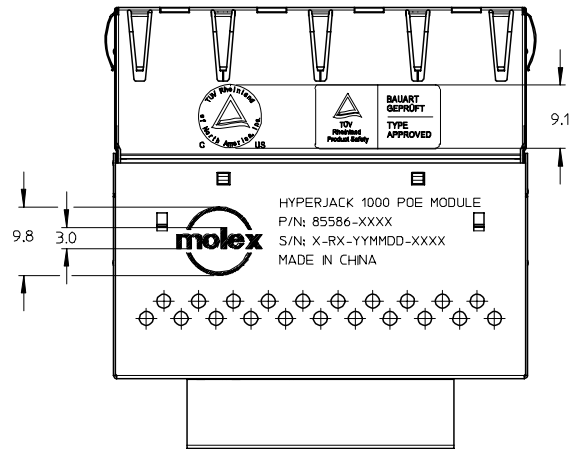
EC NO. MG2007-0091 DRAWN BY: RSCHEIBER CHKD BY: MARLT APPR: AVOGT DATE: 2007/03/19 DATE: 2007/03/19 DATE: 2007/03/26	QUALITY SYMBOLS $\nabla=0$ $\nabla=0$	GENERAL TOLERANCES (UNLESS SPECIFIED)		DIMENSION STYLE MM/IN		SCALE 2:1	DESIGN UNITS METRIC	THIRD ANGLE PROJECTION
		4 PLACES ± --- ± --- 3 PLACES ± --- ± .006 2 PLACES ± 0.15 ± .01 1 PLACE ± 0.25 ± --- ANGULAR ± 5 °	mm INCH	DRAWN BY: RSCHEIBER DATE: 2005/12/08 CHECKED BY: SSTE INKE DATE: 2005/12/08 APPROVED BY: AVOGT DATE: 2005/12/08	TITLE HYPERJACK 1000 POE-MODULE 2X4 W. POWER OVER PIN (POP), SWAPPED OVER	MOLEX INCORPORATED		MATERIAL NO. SD-85586-013
2 REV	DRAFT WHERE APPLICABLE MUST REMAIN WITHIN DIMENSIONS	SEE SHEET 1		THIS DRAWING CONTAINS INFORMATION THAT IS PROPRIETARY TO MOLEX INCORPORATED AND SHOULD NOT BE USED WITHOUT WRITTEN PERMISSION				

12 11 10 9 8 7 6 5 4 3 2 1

13 12 11 10 9 8 7 6 5 4 3 2 1

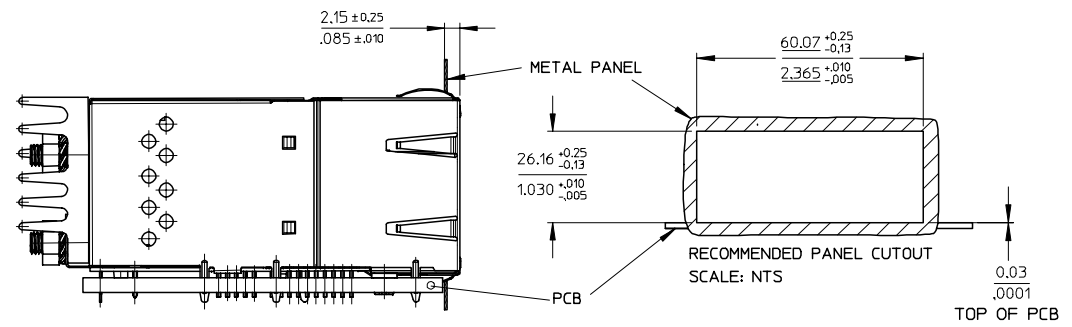
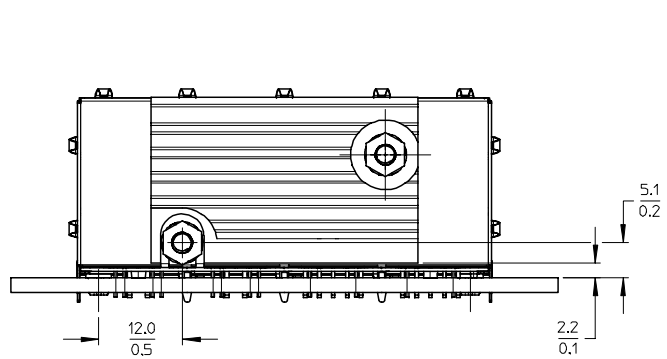
J
I
H
G
F
E
D
C
B
A

J
I
H
G
F
E
D
C
B
A



NOTES:

- 1- MOLEX LOGO, TUV LOGO AND INSCRIPTION TO BE MARKED WITH LASER PRINTER
- 2- INSCRIPTION:
 - 1st LINE: PART NAME
 - 2nd LINE: PART NUMBER
 - 3rd LINE: SERIES NUMBER -> MANUFACTURER ID - CONNECTOR REVISION - DATE CODE (YEAR, MONTH, DAY) - CONSECUTIVE NUMBER
 - 4th LINE: COUNTRY OF ORIGIN



EC NO: MG2007-0091 2 DRW:RSCHIEBER 2007/03/19 CHK:MARLT 2007/03/19 APPR:AVOGT 2007/03/26 REV DESCRIPTION	QUALITY SYMBOLS	GENERAL TOLERANCES (UNLESS SPECIFIED)	DIMENSION STYLE	SCALE	DESIGN UNITS	THIRD ANGLE PROJECTION
	$\nabla=0$ $\nabla=0$	4 PLACES ± --- ± --- 3 PLACES ± --- ± .006 2 PLACES ± 0.15 ± .01 1 PLACE ± 0.25 ± --- ANGULAR ± 5 °	MM/IN	2:1	METRIC	
			DRAWN BY DATE	TITLE		
			CHECKED BY DATE	HYPERJACK 1000 POE-MODULE 2X4 W. POWER OVER PIN (POP), SWAPPED PORTS		
			APPROVED BY DATE	MOLEX INCORPORATED		
			MATERIAL NO.	DOCUMENT NO.	SHEET NO.	
			AVOGT 2005/12/08	SD-85586-013	3 OF 3	
		DRAFT WHERE APPLICABLE MUST REMAIN WITHIN DIMENSIONS	SEE SHEET 1	THIS DRAWING CONTAINS INFORMATION THAT IS PROPRIETARY TO MOLEX INCORPORATED AND SHOULD NOT BE USED WITHOUT WRITTEN PERMISSION		

12 11 10 9 8 7 6 5 4 3 2 1