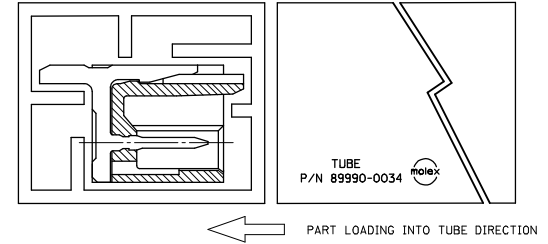
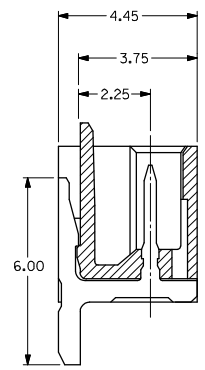
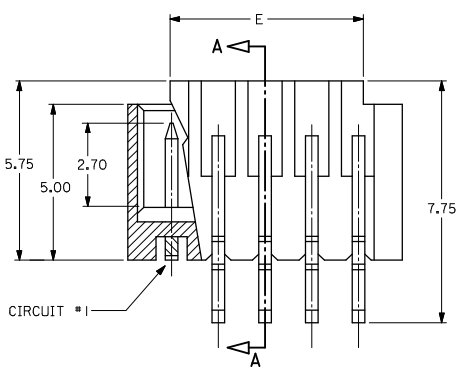
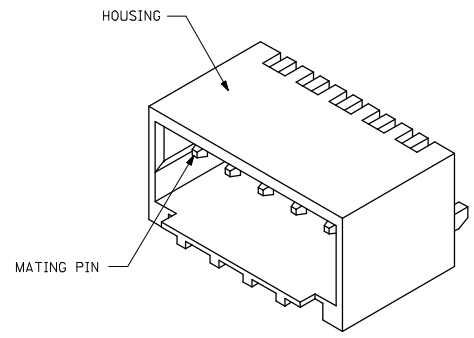
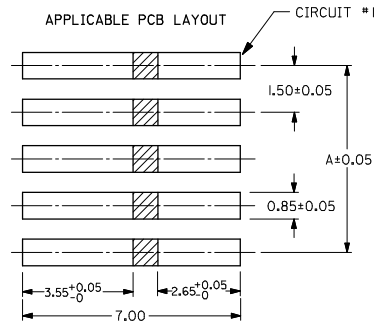
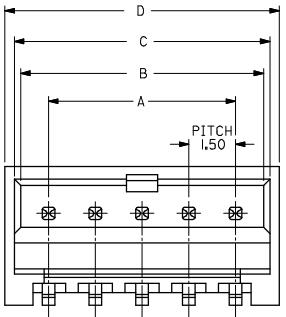


10 | 9 | 8 | 7 | 6 | 5 | 4 | 3 | 2 | 1



SECTION A-A

- NOTES:
- MATERIALS:
HOUSING: NYLON, GLASS-FILLED, UL94 V-0,
COLOR: SEE TABLE
PINS: BRASS ALLOY, C26000
 - PLATING: 2.54µM MIN. TIN OVER 1.27µM MIN. NICKEL.
 - DRAWING SHOWS PLUG WITH 5 CIRCUITS.
 - HEADER TO BE USED WITH CRIMP HOUSING, P/N 87439 AND CRIMP TERMINAL, P/N 87421
 - PARTS SHALL BE PACKED IN MOISTURE BARRIER BAG.

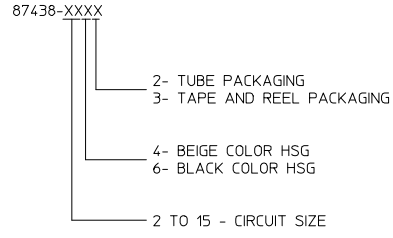
ADD TUBE DETAILS E.C. NO: S22008-0476 DRWNSKANG 2007/12/14 CHYKATSEE 2007/12/18 APPR:MLONG 2007/12/18	QUALITY SYMBOLS ▽=0 ▽=0	GENERAL TOLERANCES (UNLESS SPECIFIED)		DIMENSION STYLE MM ONLY		SCALE NTS	DESIGN UNITS METRIC	THIRD ANGLE PROJECTION			
			mm	INCH	DRAWN BY KCLING	DATE 1994/04/08	TITLE 1.50MM PITCH, W-T-B HEADER, R/A, SMT				
		4 PLACES ±	---	---	CHECKED BY SKTOH	DATE 1994/04/21	MOLEX INCORPORATED DOCUMENT NO. SD-87438-**31 SHEET NO. 1 OF 3				
		3 PLACES ±	---	---	APPROVED BY RWONG	DATE 1994/04/24					
2 PLACES ±	0.20	---	MATERIAL NO. SEE TABLE		SIZE A3						
1 PLACE ±	---	---	DRAFT WHERE APPLICABLE MUST REMAIN WITHIN DIMENSIONS							THIS DRAWING CONTAINS INFORMATION THAT IS PROPRIETARY TO MOLEX INCORPORATED AND SHOULD NOT BE USED WITHOUT WRITTEN PERMISSION	

9 | 8 | 7 | 6 | 5 | 4 | 3 | 2 | 1

10 9 8 7 6 5 4 3 2 1

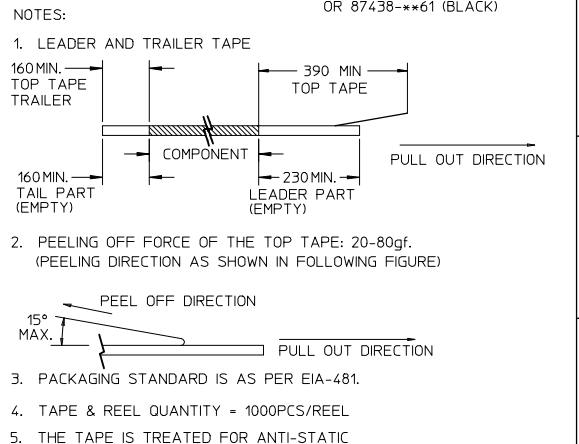
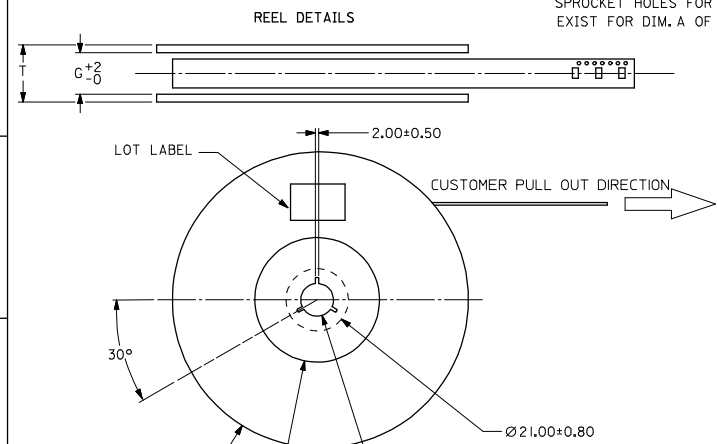
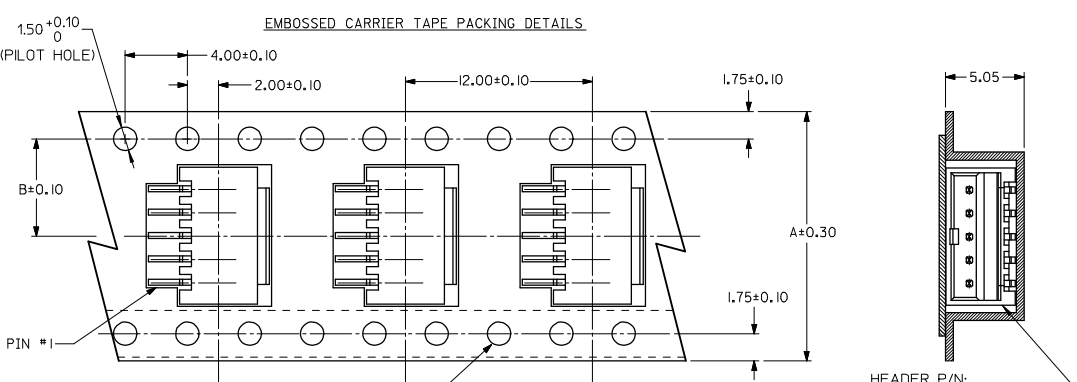
CKT SIZE	A	B	C	D	E
02	1.50	3.30	3.70	4.30	1.70
03	3.00	4.80	5.20	5.80	3.20
04	4.50	6.30	6.70	7.30	4.70
05	6.00	7.80	8.20	8.80	6.20
06	7.50	9.30	9.70	10.30	7.70
07	9.00	10.80	11.20	11.80	9.20
08	10.50	12.30	12.70	13.30	10.70
09	12.00	13.80	14.20	14.80	12.20
10	13.50	15.30	15.70	16.30	13.70
11	15.00	16.80	17.20	17.80	15.20
12	16.50	18.30	18.70	19.30	16.70
13	18.00	19.80	20.20	20.80	18.20
14	19.50	21.30	21.70	22.30	19.70
15	21.00	22.80	23.20	23.80	21.20

PART NUMBER ASSIGNMENT



ADD TUBE DETAILS EEC NO: S2008-0476 DRWNSKANG 2007/12/14 CHYKATSEE 2007/12/18 APPR:MLONG 2007/12/18 D3	QUALITY SYMBOLS	GENERAL TOLERANCES (UNLESS SPECIFIED)	DIMENSION STYLE MM ONLY	SCALE NTS	DESIGN UNITS METRIC	THIRD ANGLE PROJECTION															
	▽=0 ▽=0	<table border="1"> <tr><th></th><th>mm</th><th>INCH</th></tr> <tr><td>4 PLACES</td><td>± ---</td><td>± ---</td></tr> <tr><td>3 PLACES</td><td>± ---</td><td>± ---</td></tr> <tr><td>2 PLACES</td><td>± 0.20</td><td>± ---</td></tr> <tr><td>1 PLACE</td><td>± ---</td><td>± ---</td></tr> </table> ANGULAR ± 3°		mm	INCH	4 PLACES	± ---	± ---	3 PLACES	± ---	± ---	2 PLACES	± 0.20	± ---	1 PLACE	± ---	± ---	DRAWN BY: KCLING DATE: 1994/04/08 CHECKED BY: SKTOH DATE: 1994/04/21 APPROVED BY: RWONG DATE: 1994/04/24	TITLE: 1.50MM PITCH, W-T-B HEADER, R/A, SMT		
		mm	INCH																		
	4 PLACES	± ---	± ---																		
	3 PLACES	± ---	± ---																		
2 PLACES	± 0.20	± ---																			
1 PLACE	± ---	± ---																			
DRAFT WHERE APPLICABLE MUST REMAIN WITHIN DIMENSIONS	SEE TABLE	MOLEX INCORPORATED MATERIAL NO. SD-87438-**31 DOCUMENT NO.																			
	SIZE A3	THIS DRAWING CONTAINS INFORMATION THAT IS PROPRIETARY TO MOLEX INCORPORATED AND SHOULD NOT BE USED WITHOUT WRITTEN PERMISSION																			
						SHEET NO. 2 OF 3															

10	9	8	7	6	5	4	3	2	1
15	44	20.20	100	44.40	50.40				
11, 12, 13, 14	32	14.20	100	32.40	38.40				
7, 8, 9, 10	24	11.50	100	24.40	30.40				
2, 3, 4, 5, 6	16	7.50	100	16.40	22.40				
CIRCUIT SIZE	A	B	N	G	T MAX				



ADD TUBE DETAILS ELC NO: S22008-0476 DRAWN BY: CHIRWINSKANG CHECKED BY: CHYKATSEE APPROVED BY: APPR:MLONG DATE: 2007/12/14 DATE: 2007/12/18 DATE: 2007/12/18	QUALITY SYMBOLS $\blacktriangledown = 0$ $\nabla = 0$	GENERAL TOLERANCES (UNLESS SPECIFIED)		DIMENSION STYLE MM ONLY	SCALE NTS	DESIGN UNITS METRIC	THIRD ANGLE PROJECTION	
		4 PLACES \pm --- \pm ---	mm INCH	DRAWN BY: KCLING DATE: 1994/04/08	TITLE 1.50MM PITCH, W-T-B HEADER, R/A, SMT			
		3 PLACES \pm --- \pm ---		CHECKED BY: SKTOH DATE: 1994/04/21	MOLEX INCORPORATED			
		2 PLACES ± 0.20 \pm --- \pm --- 1 PLACE \pm --- \pm --- ANGULAR $\pm 3^\circ$	DRAFT WHERE APPLICABLE MUST REMAIN WITHIN DIMENSIONS	APPROVED BY: RWONG DATE: 1994/04/24	MATERIAL NO. SEE TABLE	DOCUMENT NO. SD-87438-***31	SHEET NO. 3 OF 3	