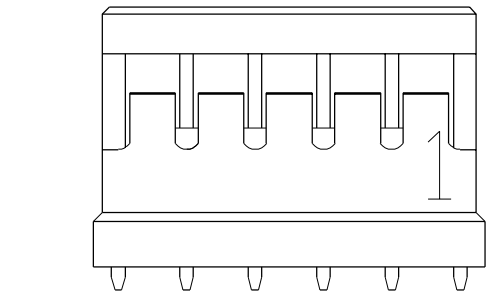
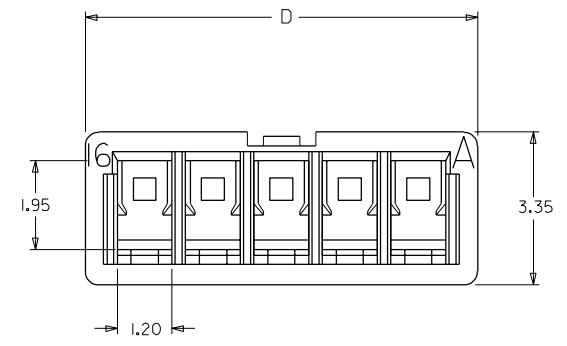
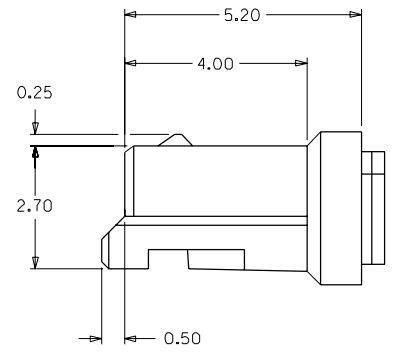
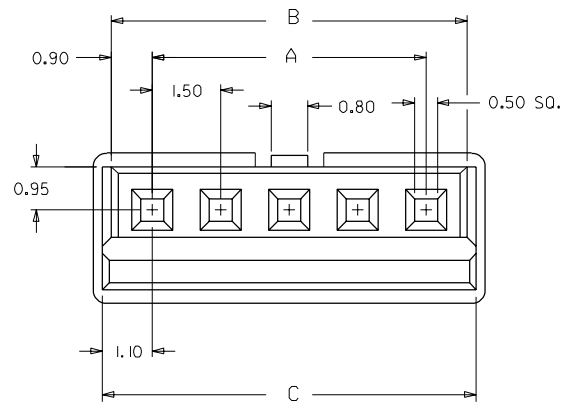


8 7 6 5 4 3 2 1

CAD FILE S87439.DGN
 DWG. NO. SD 87439-**-00

PART NO.	NO. OF CKT'S	A	B	C	D
87439-0200	2	1.50	3.30	3.70	4.10
87439-0300	3	3.00	4.80	5.20	5.60
87439-0400	4	4.50	6.30	6.70	7.10
87439-0500	5	6.00	7.80	8.20	8.60
87439-0600	6	7.50	9.30	9.70	10.10
87439-0700	7	9.00	10.80	11.20	11.60
87439-0800	8	10.50	12.30	12.70	13.10
87439-0900	9	12.00	13.80	14.20	14.60
87439-1000	10	13.50	15.30	15.70	16.10
87439-1100	11	15.00	16.80	17.20	17.60
87439-1200	12	16.50	18.30	18.70	19.10
87439-1300	13	18.00	19.80	20.20	20.60
87439-1400	14	19.50	21.30	21.70	22.10
87439-1500	15	21.00	22.80	23.20	23.60



NOTE: HOUSING TO ACCEPT MOLEX P/N 87421-0000

DIM.=mm

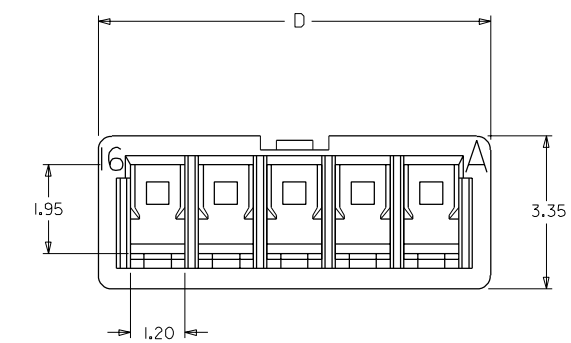
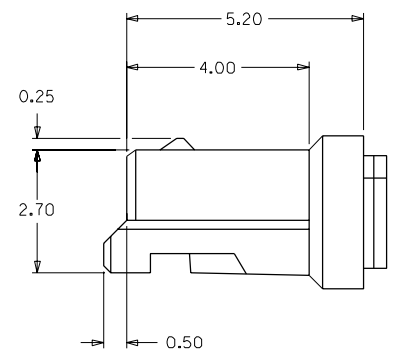
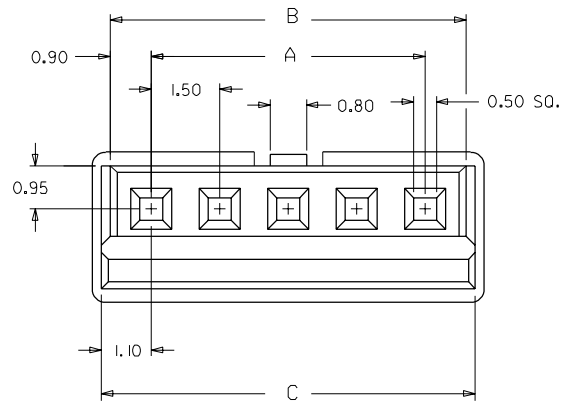
				MATERIAL : NYLON 66, 94V-0 COLOR: NATURAL		 SHEET 1 OF 1	
				FINISH : NOT APPLICABLE			
A6	REVISED PER ECN# S1998-0451	-	LING	980323	DRAWN BY JDK 940328 APPR'D BYR WONG 940421 SCALE NTS		TITLE : 1,50 mm PITCH, HOUSING, RECEPTACLE
A5	REVISED PER ECN# S1998-0402	-	LING	980303			
A4	REVISED PER ECN#	S70107	LING TOH	960909			
LTR	REVISION RECORD	ECN	DR	CHK	DATE		
REVISE ONLY ON CAD SYSTEM							

DO NOT SCALE DRAWING

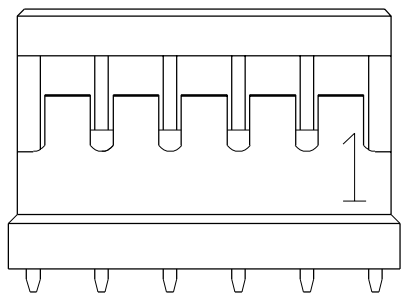
DWG. NO. SD 87439-**-00
 CAD FILE S87439.DGN

8 7 6 5 4 3 2 1

PART NO.	NO. OF CKT'S	A	B	C	D
87439-0200	2	1.50	3.30	3.70	4.10
87439-0300	3	3.00	4.80	5.20	5.60
87439-0400	4	4.50	6.30	6.70	7.10
87439-0500	5	6.00	7.80	8.20	8.60
87439-0600	6	7.50	9.30	9.70	10.10
87439-0700	7	9.00	10.80	11.20	11.60
87439-0800	8	10.50	12.30	12.70	13.10
87439-0900	9	12.00	13.80	14.20	14.60
87439-1000	10	13.50	15.30	15.70	16.10
87439-1100	11	15.00	16.80	17.20	17.60
87439-1200	12	16.50	18.30	18.70	19.10
87439-1300	13	18.00	19.80	20.20	20.60
87439-1400	14	19.50	21.30	21.70	22.10
87439-1500	15	21.00	22.80	23.20	23.60



NOTE: HOUSING TO ACCEPT MOLEX P/N 87421-0000



DIM.=mm

LTR	REVISION RECORD	ECN	DR	CHK	DATE	MATERIAL :	FINISH :	GENERAL TOLERANCES ± 0.20/0.008	REV
						NYLON 66, 94V-0 COLOR: NATURAL	NOT APPLICABLE		A7
A7	REVISED PER ECN# S2000-0305	-	LING		000222				
A6	REVISED PER ECN# S1998-0451	-	LING	TQH	980323				
A5	REVISED PER ECN# S1998-0402	-	LING	TQH	980303				
A4	REVISED PER ECN#	S70107	LING	TQH	960909				
REVISION RECORD						DRAWN BY JDK 940328	CHK'D BY SK TOH 940421	DWG. NO. SD 87439-**-00	
REVISION RECORD						APPR'D BYR WONG 940421	SCALE NTS	TITLE : 1.50 mm PITCH, HOUSING, RECEPTACLE	
REVISE ONLY ON CAD SYSTEM									

DO NOT SCALE DRAWING