

10 9 8 7 6 5 4 3 2 1

F

E

D

C

B

A

F

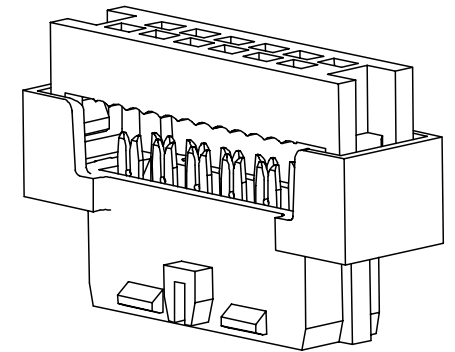
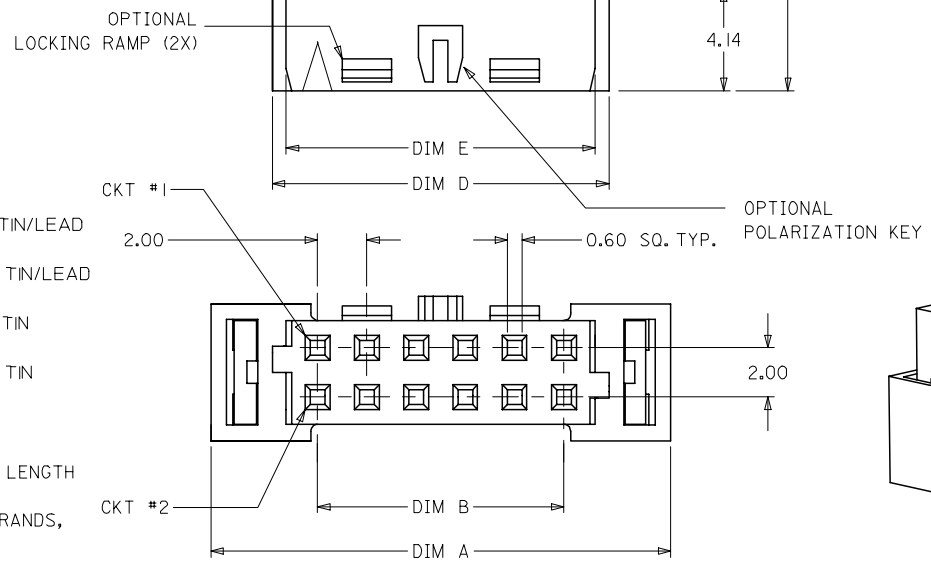
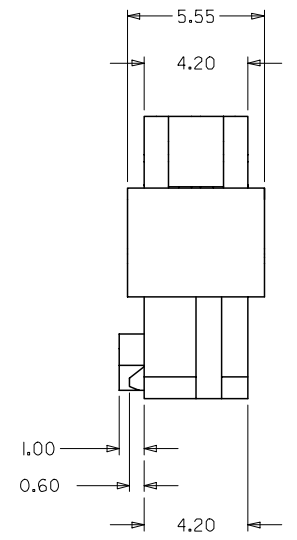
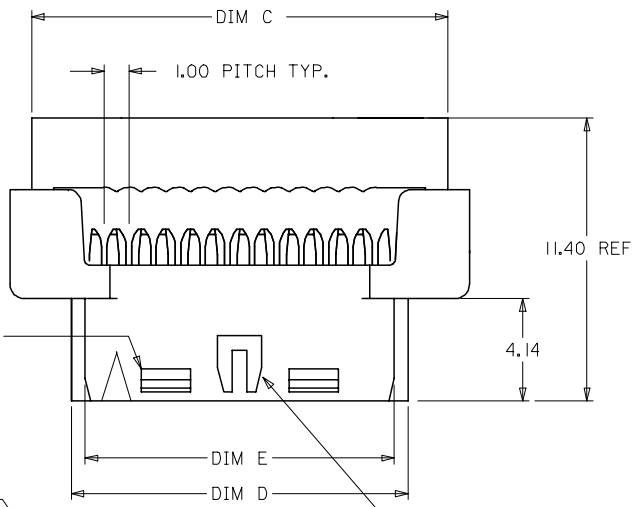
E

D

C

B

A



1. MATERIALS:

HOUSING - THERMOPLASTIC, UL94V-0 BLACK
 TERMINAL - COPPER ALLOY

2. FINISHES

- PLATING 1 - 15uIn (0.38um) GOLD OVER 75uIn (1.88um) TIN/LEAD OVER 50uIn (1.25um) NICKEL OVERALL
- PLATING 2 - 30uIn (0.76um) GOLD OVER 75uIn (1.88um) TIN/LEAD OVER 50uIn (1.25um) NICKEL OVERALL
- PLATING 3 - 15uIn (0.38um) GOLD OVER 75uIn (1.88um) TIN OVER 50uIn (1.25um) NICKEL OVERALL
- PLATING 4 - 30uIn (0.76um) GOLD OVER 75uIn (1.88um) TIN OVER 50uIn (1.25um) NICKEL OVERALL

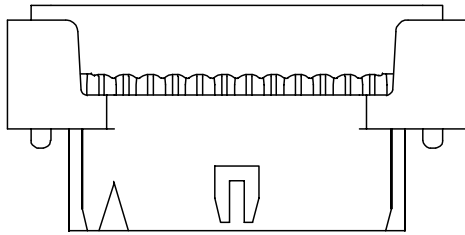
3. PRODUCT SPEC PS-87568-004 APPLIES

- 4. FOR ILLUSTRATION PURPOSES, I2 CKT IS SHOWN
- 5. PART MATES WITH ALL MILLIGRID HEADERS WITH MATING LENGTH BETWEEN 2.50mm AND 4.20mm
- 6. PART IS DESIGNED FOR 1.00mm PITCH FLAT CABLE, 7 STRANDS, AWG #28, UL2651 AND UL2678
- 7. ALL OTHER CIRCUIT SIZES, CONTACT FACTORY.
- 8. STRAIN RELIEF TO BE PURCHASED SEPERATELY, REFER TO SD-87569-008

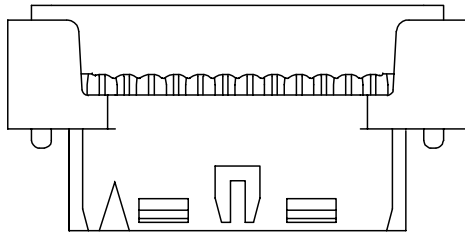
ADD ASSY P/N FOR LF EC NO: S2005-0012 DRAWN:SEE 2004/07/20 CHKD:PTLIM 2004/07/20 APPR:SKTOH 2004/07/21	QUALITY SYMBOLS ▽=0 ▽=0	GENERAL TOLERANCES (UNLESS SPECIFIED)		DIMENSION STYLE MM ONLY		SCALE NTS	DESIGN UNITS METRIC	THIRD ANGLE PROJECTION		
			mm	INCH	DRAWN BY AGARWAL	DATE 1997/08/05	TITLE SALES DRAWING MGRID 2MM DUAL ROW IDT RECEPTACLE			
		4 PLACES	± ---	± ---	CHECKED BY SQUEK	DATE 1997/09/03				
			ANGULAR ± 3 °		APPROVED BY JAMES	DATE 1997/09/03	MOLEX INCORPORATED DOCUMENT NO. SD-87568-003		SHEET NO. 1 OF 3	
	DRAFT WHERE APPLICABLE MUST REMAIN WITHIN DIMENSIONS			SIZE SEE TABLE A3		THIS DRAWING CONTAINS INFORMATION THAT IS PROPRIETARY TO MOLEX INCORPORATED AND SHOULD NOT BE USED WITHOUT WRITTEN PERMISSION				

9 8 7 6 5 4 3 2 1

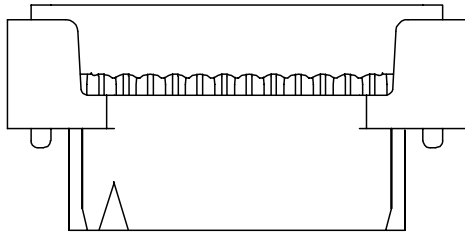
10 9 8 7 6 5 4 3 2 1



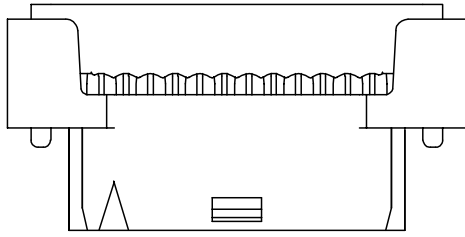
87568-***4*
POLARIZATION ONLY
(APPLICABLE FOR 14 TO 50 CKT)



87568-***9*
POLARIZATION AND RAMP LOCKING
(APPLICABLE FOR 14 TO 50 CKT)

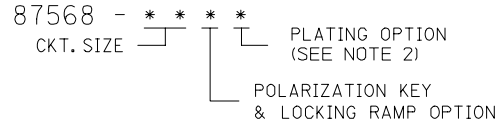


87568-***6*
NO POLARIZATION/RAMP FEATURE
(APPLICABLE FOR 10 TO 50 CKT)



87568-***7*
SINGLE RAMP LOCKING ONLY
(APPLICABLE FOR 10 TO 12 CKT)

ENGINEERING NUMBER	CKT. SIZE	A	B	C	D	E
87568-10**	10	16.65	8.00	14.90	11.65	10.55
87568-12**	12	18.65	10.00	16.90	13.65	12.55
87568-14**	14	20.65	12.00	18.90	15.65	14.55
87568-16**	16	22.65	14.00	20.90	17.65	16.55
87568-20**	20	26.65	18.00	24.90	21.65	20.55
87568-22**	22	28.65	20.00	26.90	23.65	22.55
87568-24**	24	30.65	22.00	28.90	25.65	24.55
87568-26**	26	32.65	24.00	30.90	27.65	26.55
87568-30**	30	36.65	28.00	34.90	31.65	30.55
87568-34**	34	40.65	32.00	38.90	35.65	34.55
87568-40**	40	46.65	38.00	44.90	41.65	40.55
87568-44**	44	50.65	42.00	48.90	45.65	44.55
87568-50**	50	56.65	48.00	54.90	51.65	50.55



- 4 - WITH POLARIZATION ONLY FOR 14 - 50 CKT
- 6 - WITHOUT POLARIZATION AND RAMP LOCKING
- 7 - WITH SINGLE RAMP LOCKING ONLY FOR 10 & 12 CKT
- 9 - WITH POLARIZATION AND RAMP LOCKING FOR 14 - 50 CKT

10-12 CIRCUIT SIZE HAS ONLY ONE RAMP FOR LOCKING (OPTIONAL)

14-50 CIRCUIT SIZE HAS BOTH POLARIZATION AND RAMP LOCKING (OPTIONAL)

ADD ASSY P/N FOR LF EC NO: S2005-0012 DRWNS:SEE CHKD:PTLIM APPR:SKTOH	2004/07/20 2004/07/20 2004/07/21	QUALITY SYMBOLS ▽=0 ▽=0	GENERAL TOLERANCES (UNLESS SPECIFIED)		DIMENSION STYLE MM ONLY		SCALE NTS	DESIGN UNITS METRIC	THIRD ANGLE PROJECTION			
			4 PLACES ± --- ± --- 3 PLACES ± --- ± --- 2 PLACES ± 0.15 ± --- 1 PLACE ± --- ± ---	mm INCH ± --- ± --- ± 0.15 ± --- ± --- ± ---	DRAWN BY JAMES	DATE 1998/06/23	SALES DRAWING MGRID 2MM DUAL ROW IDT RECEPTACLE					
			ANGULAR ± 3 °		CHECKED BY SQUEK	DATE 1998/07/15						
			DRAFT WHERE APPLICABLE MUST REMAIN WITHIN DIMENSIONS		SEE TABLE		APPROVED BY SKTOH	DATE 1998/07/16	MOLEX INCORPORATED			

9 8 7 6 5 4 3 2 1

10 9 8 7 6 5 4 3 2 1

F

E

D

C

B

A

F

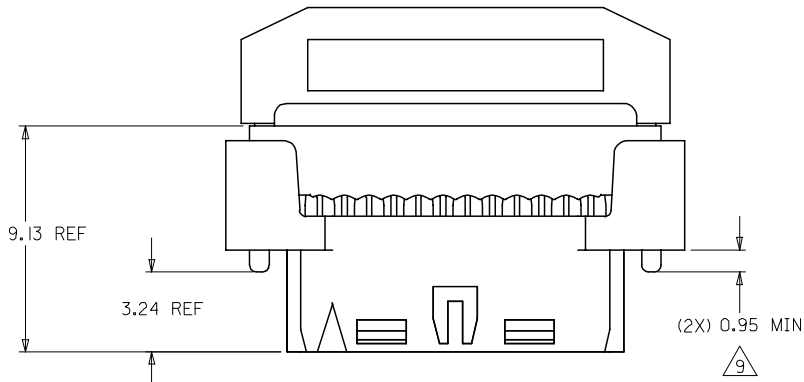
E

D

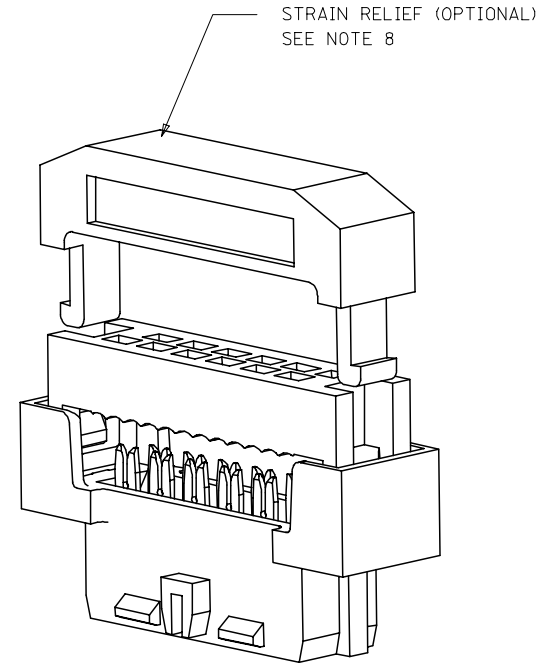
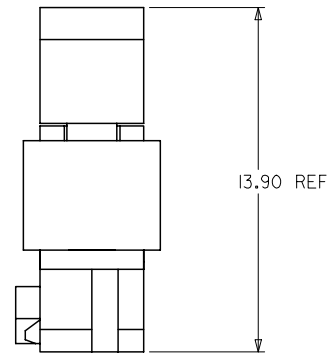
C

B

A



CABLE LOADED ASSEMBLY WITH STRAIN RELIEF



3D VIEW
(12 CKT SHOWN FOR ILLUSTRATION ONLY)

NOTES

9 THIS DIMENSION IS TO ENSURE GOOD CABLE TERMINATION.

ADD ASSY P/N FOR LF EC NO: S2005-0012 DRAWN:SEE 2004/07/20 CHKD:PTLIM 2004/07/20 APPR:SKTOH 2004/07/21	DESCRIPTION REV	QUALITY SYMBOLS	GENERAL TOLERANCES (UNLESS SPECIFIED)		DIMENSION STYLE MM ONLY		SCALE NTS	DESIGN UNITS METRIC	THIRD ANGLE PROJECTION																				
		▽=0 ▽=0	<table border="1"> <tr> <td></td> <td>mm</td> <td>INCH</td> </tr> <tr> <td>4 PLACES</td> <td>± ---</td> <td>± ---</td> </tr> <tr> <td>3 PLACES</td> <td>± ---</td> <td>± ---</td> </tr> <tr> <td>2 PLACES</td> <td>± 0.15</td> <td>± ---</td> </tr> <tr> <td>1 PLACE</td> <td>± ---</td> <td>± ---</td> </tr> <tr> <td colspan="3" style="text-align: center;">ANGULAR ± 3 °</td> </tr> </table>		mm	INCH	4 PLACES	± ---	± ---	3 PLACES	± ---	± ---	2 PLACES	± 0.15	± ---	1 PLACE	± ---	± ---	ANGULAR ± 3 °			DRAWN BY DATE MSAKTHI 1999/02/26		TITLE		SALES DRAWING MGRID 2MM DUAL ROW IDT RECEPTACLE			
			mm	INCH																									
		4 PLACES	± ---	± ---																									
3 PLACES	± ---	± ---																											
2 PLACES	± 0.15	± ---																											
1 PLACE	± ---	± ---																											
ANGULAR ± 3 °																													
DRAFT WHERE APPLICABLE MUST REMAIN WITHIN DIMENSIONS		CHECKED BY DATE JSGOH 1999/07/19		APPROVED BY DATE JAMES 1999/07/19		molex MOLEX INCORPORATED																							
		MATERIAL NO.		DOCUMENT NO. SEE TABLE SD-87568-003		SHEET NO. 3 OF 3																							

9 8 7 6 5 4 3 2 1