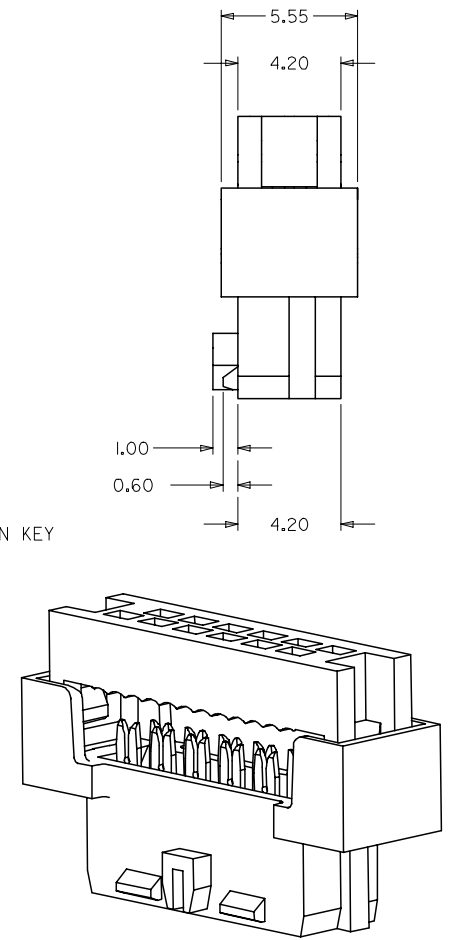
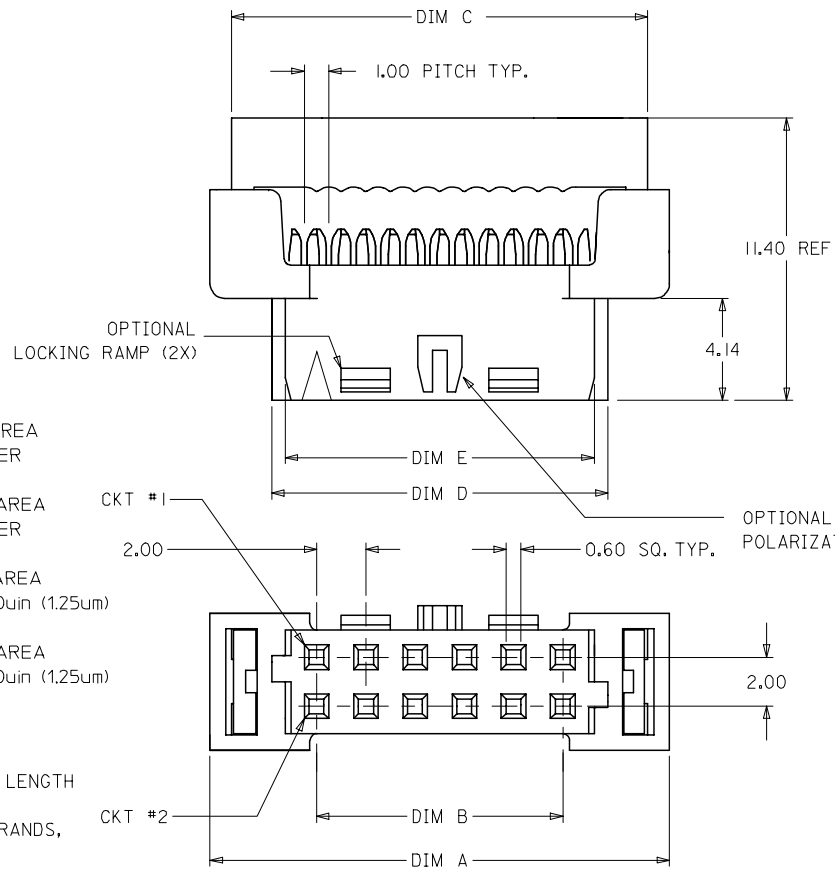


10 9 8 7 6 5 4 3 2 1

1. MATERIALS:  
 HOUSING - PBT, GLASS FILLED UL94V-0 BLACK  
 TERMINAL - COPPER ALLOY
2. FINISHES
- PLATING 1 - 15µin (0.38µm) SELECTIVE GOLD IN CONTACT AREA AND 75µin (1.88µm) TIN/LEAD IN IDT AREA OVER 50µin (1.25µm) NICKEL OVERALL.
- PLATING 2 - 30µin (0.76µm) SELECTIVE GOLD IN CONTACT AREA AND 75µin (1.88µm) TIN/LEAD IN IDT AREA OVER 50µin (1.25µm) NICKEL OVERALL.
- PLATING 3 - 15µin (0.38µm) SELECTIVE GOLD IN CONTACT AREA AND 75µin (1.88µm) TIN IN IDT AREA OVER 50µin (1.25µm) NICKEL OVERALL.
- PLATING 4 - 30µin (0.76µm) SELECTIVE GOLD IN CONTACT AREA AND 75µin (1.88µm) TIN IN IDT AREA OVER 50µin (1.25µm) NICKEL OVERALL.
3. PRODUCT SPEC PS-87568-004 APPLIES
4. FOR ILLUSTRATION PURPOSES, I2 CKT IS SHOWN
5. PART MATES WITH ALL MILLIGRID HEADERS WITH MATING LENGTH BETWEEN 2.50mm AND 4.20mm
6. PART IS DESIGNED FOR 1.00mm PITCH FLAT CABLE, 7 STRANDS, AWG #28, UL2651 AND UL2678
7. ALL OTHER CIRCUIT SIZES, CONTACT FACTORY.
8. STRAIN RELIEF TO BE PURCHASED SEPERATELY, REFER TO SD-87569-008



PDR No: S-001141-00-00 EC NO: S2006-0680 DRWN: LO/IAO CHKD: BOKOK APPR: PTL/IM	2006/01/05 2006/01/05 2006/01/06	QUALITY SYMBOLS ▽=0 ▽C=0	GENERAL TOLERANCES (UNLESS SPECIFIED)		DIMENSION STYLE MM ONLY		SCALE NTS	DESIGN UNITS METRIC	THIRD ANGLE PROJECTION			
				mm	INCH	DRAWN BY AGARWAL	DATE 1997/08/05	TITLE MGRID, 2MM DUAL ROW IDT RECEPTACLE				
			4 PLACES	± ---	± ---	CHECKED BY SQUEK	DATE 1997/09/03					
			3 PLACES	± ---	± ---	APPROVED BY JAMES	DATE 1997/09/03	MOLEX INCORPORATED				
2 PLACES	± 0.15	± ---	MATERIAL NO.		DOCUMENT NO.		SHEET NO.					
1 PLACE	± ---	± ---	DRAFT WHERE APPLICABLE MUST REMAIN WITHIN DIMENSIONS		SEE TABLE		SD-87568-003		1 OF 3			
G2		REV	SIZE A3 THIS DRAWING CONTAINS INFORMATION THAT IS PROPRIETARY TO MOLEX INCORPORATED AND SHOULD NOT BE USED WITHOUT WRITTEN PERMISSION									

9 8 7 6 5 4 3 2 1



10 9 8 7 6 5 4 3 2 1

F

F

E

E

D

D

C

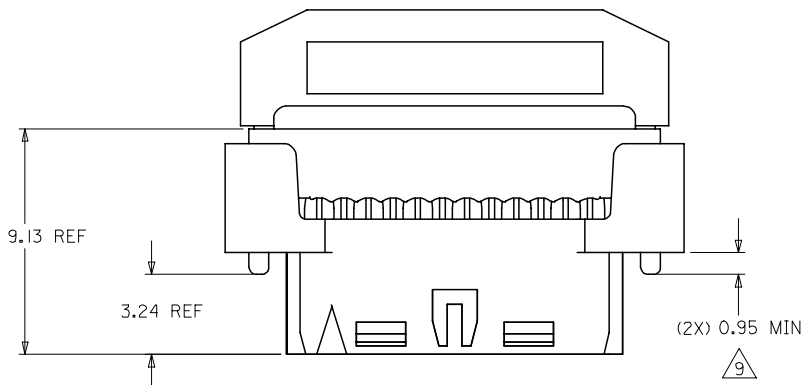
C

B

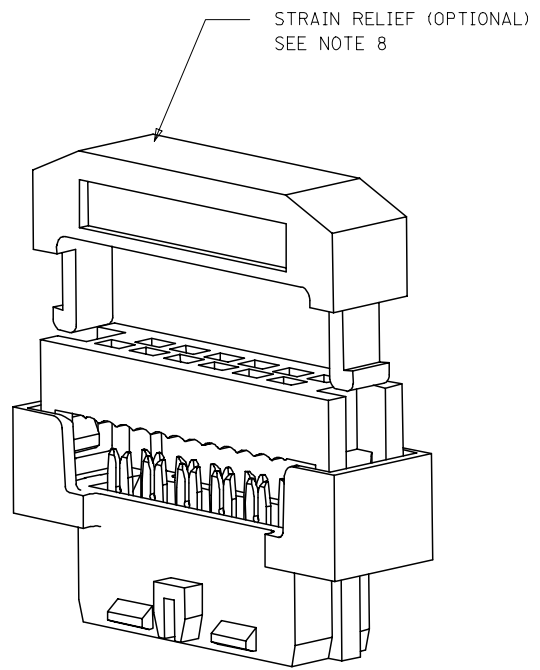
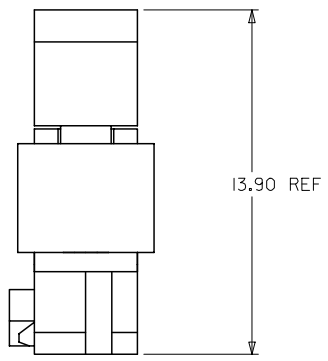
B

A

A



CABLE LOADED ASSEMBLY WITH STRAIN RELIEF



3D VIEW  
(12 CKT SHOWN FOR ILLUSTRATION ONLY)

NOTES

9 THIS DIMENSION IS TO ENSURE GOOD CABLE TERMINATION.

PDR No: S-001141-00-00 EC NO: S2006-0680 DRWN: LO/IAO CHKD: BOKOK APPR: PTL/IM	2006/01/05 2006/01/05 2006/01/06	DESCRIPTION REV	QUALITY SYMBOLS ▽=0 ▽=0	GENERAL TOLERANCES (UNLESS SPECIFIED)		DIMENSION STYLE MM ONLY		SCALE NTS	DESIGN UNITS METRIC	THIRD ANGLE PROJECTION				
					mm	INCH	DRAWN BY MSAKTHI	DATE 1999/02/26	TITLE MGRID, 2MM DUAL ROW IDT RECEPTACLE					
				4 PLACES	± ---	± ---	CHECKED BY JSGOH	DATE 1999/07/19						
				3 PLACES	± ---	± ---	APPROVED BY JAMES	DATE 1999/07/19						
	2 PLACES	± 0.15	± ---	ANGULAR ± 3 °		MATERIAL NO.	DOCUMENT NO.	MOLEX INCORPORATED		SHEET NO.				
	1 PLACE	± ---	± ---	DRAFT WHERE APPLICABLE MUST REMAIN WITHIN DIMENSIONS		SEE TABLE	SD-87568-003			3 OF 3				
G2						SIZE A3	THIS DRAWING CONTAINS INFORMATION THAT IS PROPRIETARY TO MOLEX INCORPORATED AND SHOULD NOT BE USED WITHOUT WRITTEN PERMISSION							

9 8 7 6 5 4 3 2 1