

**PLEASE CHECK WWW.MOLEX.COM FOR LATEST PART INFORMATION**

**Part Number:** [87569-1016](#)  
**Status:** **Active**  
**Overview:** Milli-Grid™  
**Description:** 2.00mm Strain Relief for Dual Row IDT, 16 Circuits

**Documents:**

<a href="#">3D Model</a>	<a href="#">RoHS Certificate of Compliance (PDF)</a>
<a href="#">Drawing (PDF)</a>	<a href="#">Product Literature (PDF)</a>
<a href="#">Product Specification PS-87568-004 (PDF)</a>	

**General**

Product Family	Accessories
Series	<a href="#">87569</a>
Component Type	Strain Relief
Overview	<u>Milli-Grid™</u>
Product Literature Order No	987650-1991
Product Name	Milli-Grid™

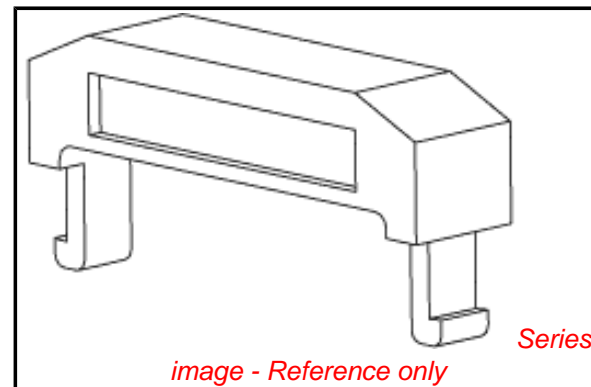
**Physical**

Circuits (Loaded)	16
Color - Resin	Black
Gender	N/A
Material - Resin	High Temperature Thermoplastic
Number of Rows	2
Packaging Type	Bag

**Material Info**

**Reference - Drawing Numbers**

Product Specification	PS-87568-004
Sales Drawing	SD-87569-008



**EU RoHS**

**ELV and RoHS  
Compliant**  
**REACH SVHC  
Contains SVHC: No  
Low-Halogen Status  
Not Low-Halogen**

**China RoHS**



**Need more information on product  
environmental compliance?**

Email [productcompliance@molex.com](mailto:productcompliance@molex.com)  
 For a multiple part number RoHS Certificate of  
 Compliance, [click here](#)

Please visit the [Contact Us](#) section for any  
 non-product compliance questions.

**Search Parts in this Series**  
[87569Series](#)

**Use With**  
 PCB Receptacle