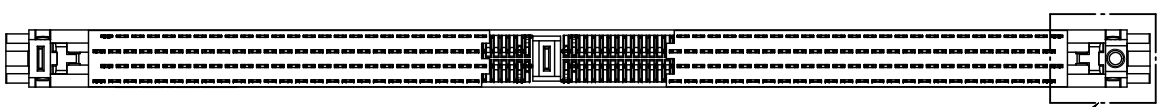
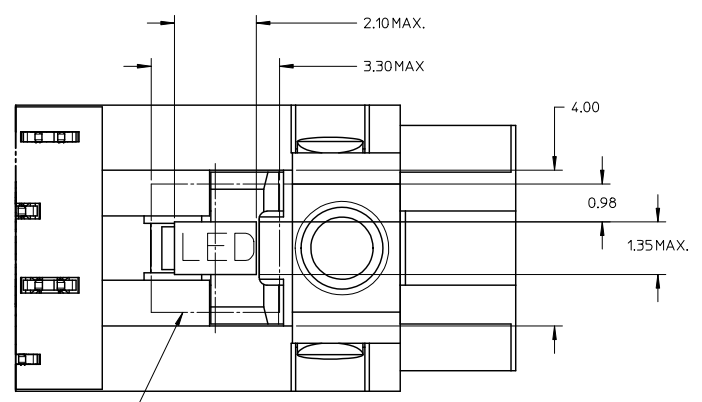
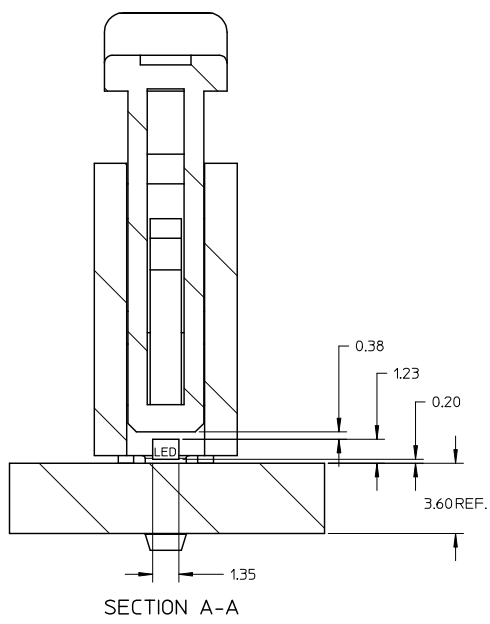




10 9 8 7 6 5 4 3 2 1



Detail3



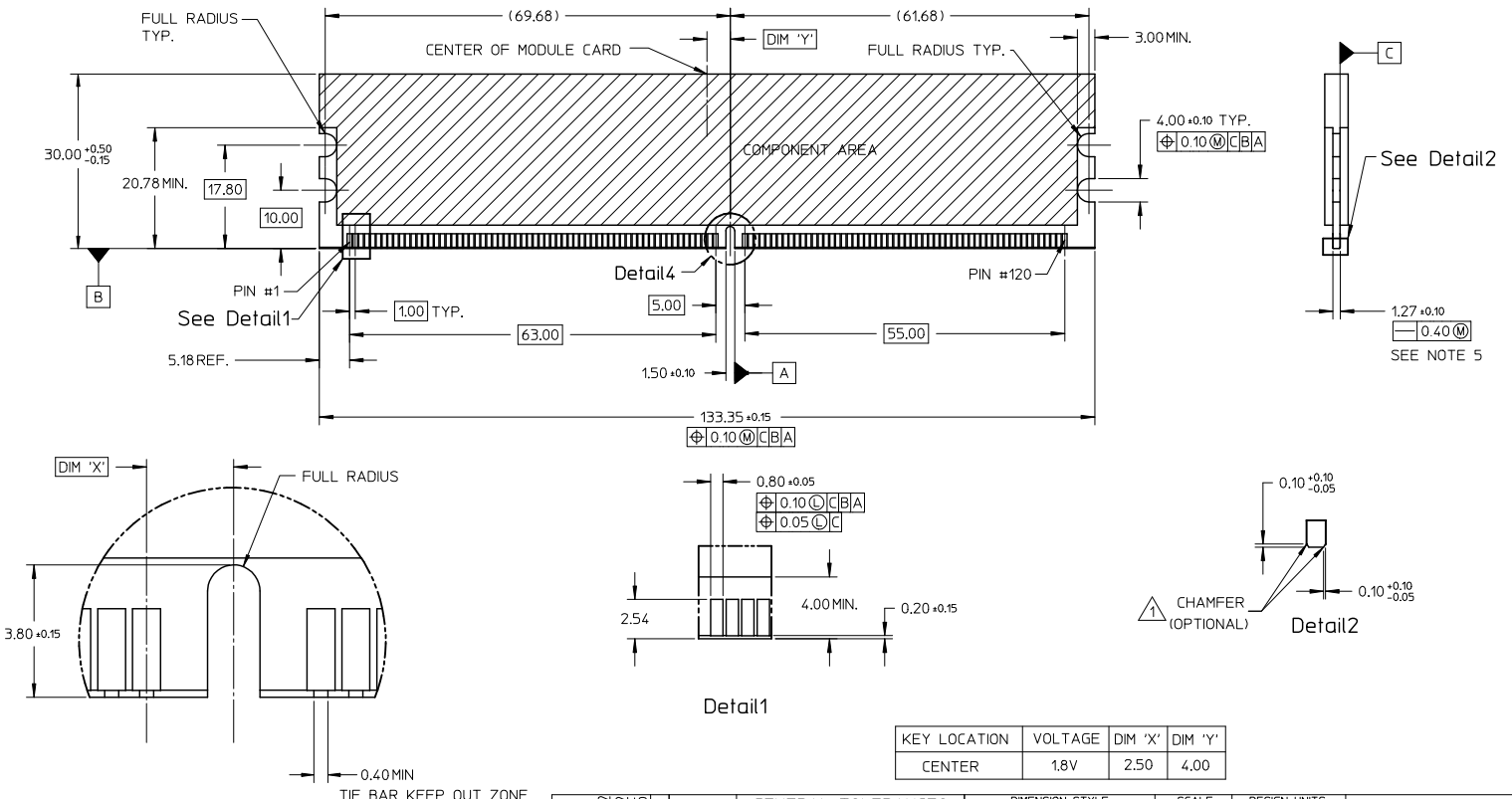
LED PLACEMENT AREA

PART NO UPDATED IEC NO: S2009-0883 DRAWN: TARLUGHAM 2009/05/22 CHECKED: GIAN 2009/05/22 APPR: SALENI 2009/05/25 REV: D8	QUALITY SYMBOLS ▽=0 ▽=0	GENERAL TOLERANCES (UNLESS SPECIFIED) mm INCH 4 PLACES ± --- ± --- 3 PLACES ± --- ± --- 2 PLACES ± 0.20 ± --- 1 PLACE ± --- ± --- ANGULAR ± 5°	DIMENSION STYLE MM ONLY DRAWN BY CGOH DATE 2002/06/13 CHECKED BY DATE DS0H 2002/08/07 APPROVED BY DATE SKTOH 2002/08/08	SCALE NTS DESIGN UNITS METRIC THIRD ANGLE PROJECTION	TITLE DDR2 DIMM, 100MM PITCH 240 CKTS, VERT. PRESSFIT
	DRAFT WHERE APPLICABLE MUST REMAIN WITHIN DIMENSIONS	MATERIAL NO. SEE TABLE	MOLEX INCORPORATED DOCUMENT NO. SD-87746-001	SHEET NO. 2 OF 6	
	SIZE A3 THIS DRAWING CONTAINS INFORMATION THAT IS PROPRIETARY TO MOLEX INCORPORATED AND SHOULD NOT BE USED WITHOUT WRITTEN PERMISSION				
	IEC NO: S2009-0883 DRAWN: TARLUGHAM 2009/05/22 CHECKED: GIAN 2009/05/22 APPR: SALENI 2009/05/25 REV: D8				

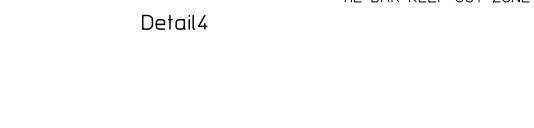
9 8 7 6 5 4 3 2 1

10 9 8 7 6 5 4 3 2 1

RECOMMENDED MODULE LAYOUT



KEY LOCATION	VOLTAGE	DIM 'X'	DIM 'Y'
CENTER	1.8V	2.50	4.00



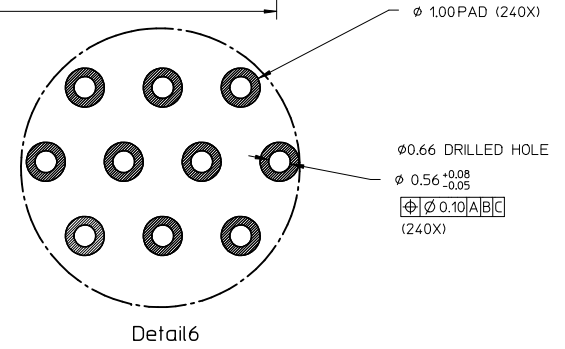
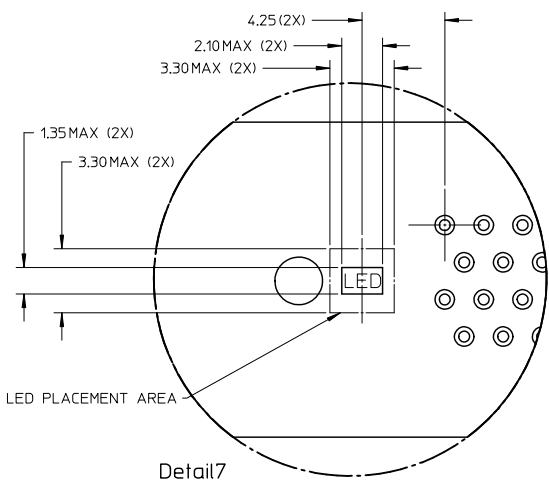
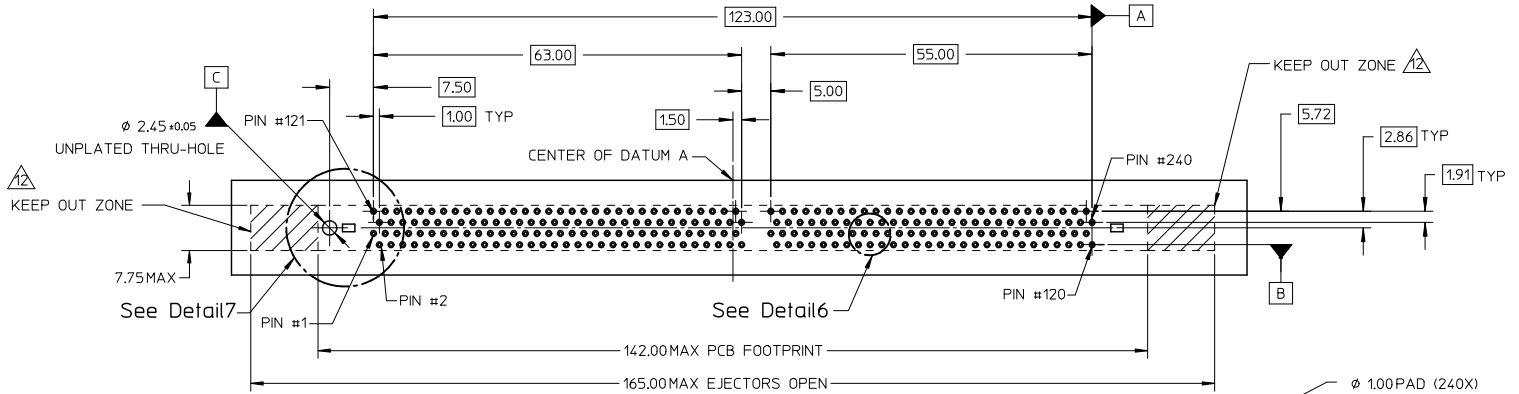
NOTES :  
 △ MODULE CARD USED IN PRODUCT TESTING ARE CHAMFERED.

PART NO UPDATED IEC NO: S2009-0883 DRAWN: TARLUGHAM 2009/05/12 CHECKED: GILMAN 2009/05/12 APPR: SHLENI 2009/05/15 REV: D8	QUALITY SYMBOLS ▽=0 ▽=0	GENERAL TOLERANCES (UNLESS SPECIFIED)		DIMENSION STYLE MM ONLY		SCALE NTS	DESIGN UNITS METRIC	THIRD ANGLE PROJECTION			
		4 PLACES ± --- ± ---	3 PLACES ± --- ± ---	2 PLACES ± 0.20 ± ---	1 PLACE ± --- ± ---	ANGULAR ± 5 °	DRAWN BY CGOH	DATE 2002/06/13	TITLE DDR2 DIMM, 100MM PITCH 240 CKTS, VERT. PRESSFIT		
		DRAFT WHERE APPLICABLE MUST REMAIN WITHIN DIMENSIONS					CHECKED BY DS0H	DATE 2002/08/07	MOLEX INCORPORATED		
							APPROVED BY SKTOH	DATE 2002/08/08	DOCUMENT NO. SD-87746-001	SHEET NO. 3 OF 6	

tb\_frame\_A3\_P\_AM\_T  
 Rev. E 2006/04/15

9 8 7 6 5 4 3 2 1

RECOMMENDED PCB HOLE PATTERN  
SEE TABLE IN SHEET 5 FOR  
RECOMMENDED PCB THICKNESS



<b>PART NO UPDATED</b> IEC NO: S2009-0883 DRAWN: TARLUGHAM 2009/05/12 CHECKED: GATAN 2009/05/12 APPR: SHLENI 2009/05/15 REV: D8	<b>QUALITY SYMBOLS</b> = 0 = 0	<b>GENERAL TOLERANCES (UNLESS SPECIFIED)</b>		<b>DIMENSION STYLE</b> MM ONLY		<b>SCALE</b> NTS	<b>DESIGN UNITS</b> METRIC	<b>THIRD ANGLE PROJECTION</b>	
		4 PLACES ± --- ± ---	mm INCH	DRAWN BY CGOH	DATE 2002/06/13	<b>TITLE</b> DDR2 DIMM, 100MM PITCH 240 CKTS, VERT. PRESSFIT			
		3 PLACES ± --- ± ---	2 PLACES ± 0.20 ± --- ± ---	CHECKED BY DSOH	DATE 2002/08/07	<b>MATERIAL NO.</b> SEE TABLE			
		1 PLACE ± --- ± ---	ANGULAR ± 5 °	APPROVED BY SKTOH	DATE 2002/08/08	<b>DOCUMENT NO.</b> SD-87746-001		<b>SHEET NO.</b> 4 OF 6	
DRAFT WHERE APPLICABLE MUST REMAIN WITHIN DIMENSIONS		THIS DRAWING CONTAINS INFORMATION THAT IS PROPRIETARY TO MOLEX INCORPORATED AND SHOULD NOT BE USED WITHOUT WRITTEN PERMISSION							

10 | 9 | 8 | 7 | 6 | 5 | 4 | 3 | 2 | 1

PART NO.	VOLTAGE KEY POS.	VOLTAGE KEY TEXT	TAIL LENGTH P±0.20	RECOMMENDED PCB THICKNESS	LUBRICATION	PLATING OPTION	LATCH COLOR	PLATING OPTION	HOUSING COLOR
87746-0001	CENTER	1.8V	4.20	4.57	NO	SELECTIVE GOLD 0.38µM/ 15µIN MIN. GOLD OVER 1.27µM/ 50µIN MIN. NICKEL			
87746-1001			3.30	3.60					
87746-0011	CENTER	1.8V	4.20	4.57	NO	SELECTIVE GOLD 0.76µM/ 30µIN MIN. GOLD OVER 1.27µM/ 50µIN MIN. NICKEL	NATURAL (OFF WHITE)		
87746-1011			3.30	3.60					
87746-0091	CENTER	1.8V	4.20	4.57	YES			TIN/LEAD	BLACK
87746-1091			3.30	3.60					
87746-5001	CENTER	1.8V	4.20	4.57	NO	SELECTIVE GOLD 0.38µM/ 15µIN MIN. GOLD OVER 1.27µM/ 50µIN MIN. NICKEL			
87746-5101			3.30	3.60					
87746-5011	CENTER	1.8V	4.20	4.57	NO	SELECTIVE GOLD 0.76µM/ 30µIN MIN. GOLD OVER 1.27µM/ 50µIN MIN. NICKEL	CLEAR		
87746-5111			3.30	3.60					
87746-5091	CENTER	1.8V	4.20	4.57	YES				
87746-5191			3.30	3.60					

<b>PART NO UPDATED</b> IEC NO: S22009-0883 DRAWN: TARLUGHAM 2009/05/22 CHECKED: CGAN 2009/05/22 APPR: SHLENI 2009/05/25 REV DESCRIPTION	QUALITY SYMBOLS	GENERAL TOLERANCES (UNLESS SPECIFIED)	DIMENSION STYLE	SCALE	DESIGN UNITS	THIRD ANGLE PROJECTION
	$\nabla=0$ $\nabla=0$	mm INCH	MM ONLY	NTS	METRIC	
		4 PLACES ± --- ± --- 3 PLACES ± --- ± --- 2 PLACES ± 0.20 ± --- ± --- 1 PLACE ± --- ± --- ANGULAR ± 5 °	DRAWN BY DATE CGOH 2002/06/13 CHECKED BY DATE DS0H 2002/08/07 APPROVED BY DATE SKTOH 2002/08/08	TITLE	DDR2 DIMM, 100MM PITCH 240 CKTS, VERT. PRESSFIT	
	DRAFT WHERE APPLICABLE MUST REMAIN WITHIN DIMENSIONS	MATERIAL NO. SEE TABLE	MOLEX INCORPORATED DOCUMENT NO. SD-87746-001	SHEET NO.	5 OF 6	

tb\_frame\_A3\_P\_AM.T  
Rev. E 2006/04/15

9 | 8 | 7 | 6 | 5 | 4 | 3 | 2 | 1

10 | 9 | 8 | 7 | 6 | 5 | 4 | 3 | 2 | 1

PART NO.	VOLTAGE KEY POS.	VOLTAGE KEY TEXT	TAIL LENGTH P±0.20	RECOMMENDED PCB THICKNESS	LUBRICATION	PLATING OPTION	LATCH COLOR	PLATING OPTION	HOUSING COLOR
87746-8001	CENTER	1.8V	4.20	4.57	NO	SELECTIVE GOLD 0.38µM/ 15µIN MIN. GOLD OVER 1.27µM/ 50µIN MIN. NICKEL	NATURAL (OFF WHITE)		
87746-9001			3.30	3.60					
87746-8011	CENTER	1.8V	4.20	4.57	NO	SELECTIVE GOLD 0.76µM/ 30µIN MIN. GOLD OVER 1.27µM/ 50µIN MIN. NICKEL		TIN	BLACK
87746-9011			3.30	3.60					
87746-8091	CENTER	1.8V	4.20	4.57	YES				
87746-9091			3.30	3.60					
87746-5201	CENTER	1.8V	4.20	4.57	NO	SELECTIVE GOLD 0.38µM/ 15µIN MIN. GOLD OVER 1.27µM/ 50µIN MIN. NICKEL			
87746-5301			3.30	3.60					
87746-5211	CENTER	1.8V	4.20	4.57	NO		CLEAR		
87746-5311			3.30	3.60					
87746-5291	CENTER	1.8V	4.20	4.57	YES	SELECTIVE GOLD 0.76µM/ 30µIN MIN. GOLD OVER 1.27µM/ 50µIN MIN. NICKEL			BLUE
87746-5391			3.30	3.60					
87746-5381			3.30	3.60					

<b>PART NO UPDATED</b> IEC NO: S2009-0883 DRAWN: TARULUGHAN 2009/05/22 CHECKED: CJTAN 2009/05/22 APPR: SAILENI 2009/05/25 REV DESCRIPTION	QUALITY SYMBOLS	GENERAL TOLERANCES (UNLESS SPECIFIED) mm INCH 4 PLACES ± --- ± --- 3 PLACES ± --- ± --- 2 PLACES ± 0.20 ± --- 1 PLACE ± --- ± --- ANGULAR ± 5 °	DIMENSION STYLE	SCALE	DESIGN UNITS	THIRD ANGLE PROJECTION
	▽=0 ▽=0		MM ONLY	NTS	METRIC	
				DRAWN BY DATE CGOH 2002/06/13 CHECKED BY DATE DSOH 2002/08/07 APPROVED BY DATE SKTOH 2002/08/08	TITLE DDR2 DIMM, 100MM PITCH 240 CKTS, VERT. PRESSFIT	
		DRAFT WHERE APPLICABLE MUST REMAIN WITHIN DIMENSIONS	MATERIAL NO. SEE TABLE	MOLEX INCORPORATED DOCUMENT NO. SD-87746-001	SHEET NO. 6 OF 6	

9 | 8 | 7 | 6 | 5 | 4 | 3 | 2 | 1