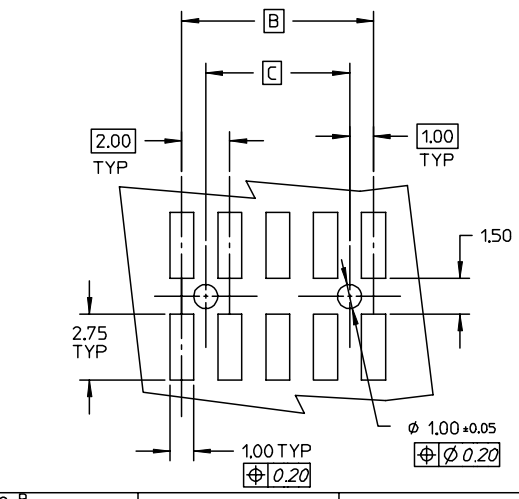


NOTE:

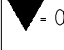
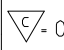


1. MATERIAL:
HSG & CAP - HIGH TEMPERATURE THERMOPLASTIC, UL 94V-0, COLOUR BLACK
PIN - 0.50 SQ PHOSPHOR BRONZE
2. PLATING:
**50 - 0.38um MIN GOLD PLATE AT CONTACT AREA, TIN PLATE AT SOLDER AREA, BOTH OVER NICKEL UNDERPLATE
**51 - 0.76um MIN GOLD PLATE AT CONTACT AREA, TIN PLATE AT SOLDER AREA, BOTH OVER NICKEL UNDERPLATE
(* - REPRESENTS DIFFERENT CKT SIZE, SEE TABLE AT SHT 2)
3. PIN PUSHOUT FORCE: 1KG MIN IN EITHER DIRECTION
4. PRODUCT SPEC PS-87761-100 APPLIES.
5. BEND DEPRESSION IS ACCEPTABLE SO LONG AS IT DOES NOT AFFECT THE OVERALL COPLANARITY OF TAIL.
6. COPLANARITY IS TO BE MEASURED BY RESTING THE SOLDER TAIL ON A GAUGE SURFACE.
7. CAP TO BE LOCATED AS CENTRAL OF PART AS POSSIBLE TOP SURFACE OF CAP TO BE FLAT FOR THE PURPOSE OF PICK & PLACE BY VACUUM SUCTION NOZZLE.
8. FOR ILLUSTRATION PURPOSES, 10CKT IS SHOWN
9. TUBE LENGTH IS 560MM REF STANDARD.
10. RECOMMENDED PCB BOARD THK IS 1.60±0.10 MM.



EC NO: S2004-0293 DRWN:KSEE 2004/01/30 CHKD:KCLING 2004/01/30 APPR:SKTOH 2004/02/05	QUALITY SYMBOLS ▽ = 0 ▽ = 0	GENERAL TOLERANCES (UNLESS SPECIFIED)		SCALE NTS	DESIGN UNITS METRIC	THIRD ANGLE PROJECTION	REVISE ON CAD ONLY
		mm	INCH	DIMENSION STYLE MM ONLY	TITLE	SALES DRAWING MGRID 2MM DUAL ROW SMT HDR WITH PEG	
A	DESCRIPTION	4 PLACES ± --- ± ---	3 PLACES ± --- ± ---	DRAWN BY KSEE	DATE 2003/12/24	MOLEX INCORPORATED	
		2 PLACES ± 0.2 ± ---	1 PLACE ± --- ± ---	CHECKED BY KCLING	DATE 2004/01/12	MATERIAL NO. SEE TABLE	DOCUMENT NO. SD-87759-113
		ANGULAR ± 3 °		APPROVED BY SKTOH	DATE 2004/01/12	SHEET NO. 1 OF 2	
		DRAFT WHERE APPLICABLE		THIS DRAWING CONTAINS INFORMATION THAT IS PROPRIETARY TO MOLEX INCORPORATED AND SHOULD NOT BE USED WITHOUT WRITTEN PERMISSION			
		MUST REMAIN WITHIN DIMENSIONS					

87759

PART NUMBER WITH CAP IN TUBE	CKT SIZE	A	B	C
87759-0850/0851	08	7.90	6.00	4.00
87759-1050/1051	10	9.90	8.00	8.00
87759-1250/1251	12	11.90	10.00	18.00
87759-1450/1451	14	13.90	12.00	20.00
87759-1650/1651	16	15.90	14.00	26.00
87759-1850/1851	18	17.90	16.00	40.00
87759-2050/2051	20	19.90	18.00	46.00
87759-2250/2251	22	21.90	20.00	46.00
87759-2450/2451	24	23.90	22.00	46.00
87759-2650/2651	26	25.90	24.00	46.00
87759-2850/2851	28	27.90	26.00	46.00
87759-3050/3051	30	29.90	28.00	46.00
87759-3250/3251	32	31.90	30.00	46.00
87759-3450/3451	34	33.90	32.00	46.00
87759-3650/3651	36	35.90	34.00	46.00
87759-3850/3851	38	37.90	36.00	46.00
87759-4050/4051	40	39.90	38.00	46.00
87759-4250/4251	42	41.90	40.00	46.00
87759-4450/4451	44	43.90	42.00	46.00
87759-4650/4651	46	45.90	44.00	46.00
87759-4850/4851	48	47.90	46.00	46.00
87759-5050/5051	50	49.90	48.00	46.00

EC NO: S2004-0293 DRWN:KSEE 2004/01/30 CHKD:KCLING 2004/01/30 APPR:SKTOH 2004/02/05	QUALITY SYMBOLS  = 0  = 0	GENERAL TOLERANCES (UNLESS SPECIFIED)		SCALE NTS	DESIGN UNITS METRIC	 THIRD ANGLE PROJECTION	REVISE ON CAD ONLY
		4 PLACES ± --- ± --- 3 PLACES ± --- ± --- 2 PLACES ± 0.2 ± --- 1 PLACE ± --- ± ---	DIMENSION STYLE MM ONLY	TITLE SALES DRAWING MGRID 2MM DUAL ROW SMT HDR WITH PEG			
		DRAFT WHERE APPLICABLE MUST REMAIN WITHIN DIMENSIONS	DRAWN BY KSEE	DATE 2003/12/24	CHECKED BY KCLING	DATE 2004/01/12	 MOLEX INCORPORATED
		APPROVED BY SKTOH	DATE 2004/01/12	MATERIAL NO. SEE TABLE	DOCUMENT NO. SD-87759-113	SHEET NO. 2 OF 2	