

FEATURES AND SPECIFICATIONS

Features and Benefits

- High cycle, dual beam, LFH™ (Low Force Helix) shrouded contacts
- Polarization achieved by a "D" shaped housing/shield
- Single piece shield with integral ground leg
- Shield protrudes for ESD considerations
- Positive retention jackscrew: thread 4-40 UNC-2A&B

Reference Information

Product Specification: PS-74320-001

Packaging: Bag

Mates With: 88741 cable assemblies

Designed In: Millimeters

Electrical

Voltage: 40V

Current: 1.5A

Dielectric Withstanding Voltage: 500V

Insulation Resistance: 1000 MΩ min.

Mechanical

Mating Force: 10.0 lbf (4.5kgf) max.

Unmating Force: 2.2 lbf (1.0kgf) min.

Durability: 100 cycles

Physical

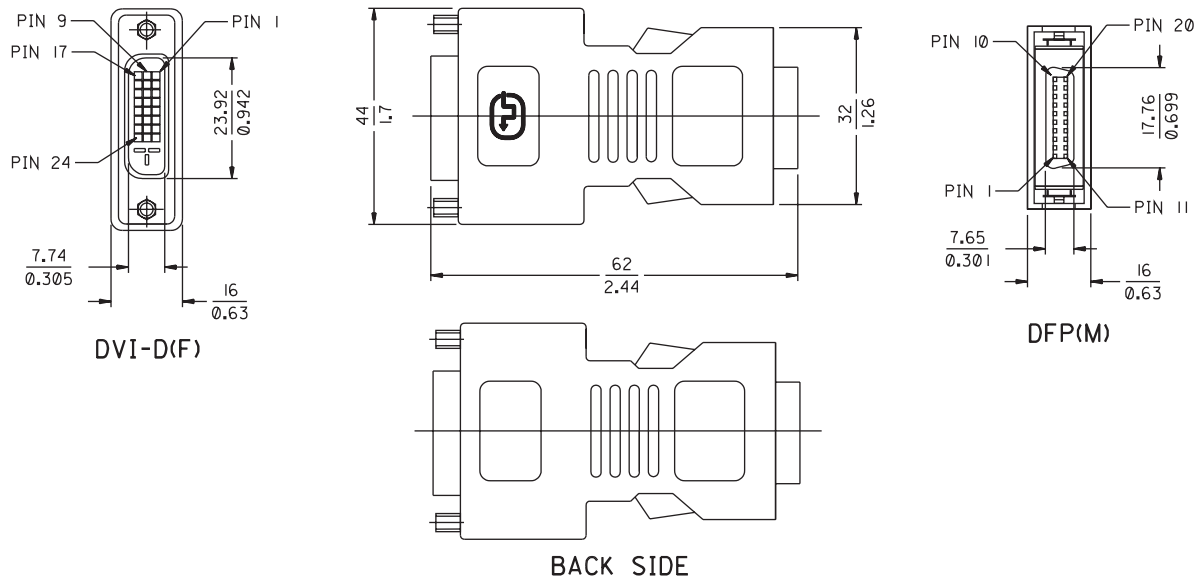
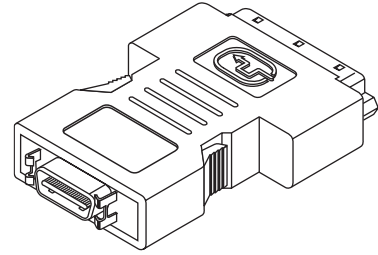
Plating: Gold flash, 30μ" Gold available upon request

Temperature: -20 to +85°C

molex® MicroCross™ DVI Digital Visual Interface Shielded I/O Adapter

88741

DVI-Digital Receptacle to DFP Plug



ORDERING INFORMATION AND DIMENSIONS

Order No.	Description
88741-9300	DVI-Digital Receptacle to DFP Plug