

PLEASE CHECK WWW.MOLEX.COM FOR LATEST PART INFORMATION

Part Number: [90075-0027](#)
Status: **Active**
Overview: [Modular Plugs - Jacks](#)
Description: [Modular Plug, Short Body, 4/4](#)

Documents:

[3D Model](#) [Application Specification AS-90075 \(PDF\)](#)
[Drawing \(PDF\)](#) [RoHS Certificate of Compliance \(PDF\)](#)
[Product Specification PS-90075 \(PDF\)](#)

Agency Certification

UL E107635

General

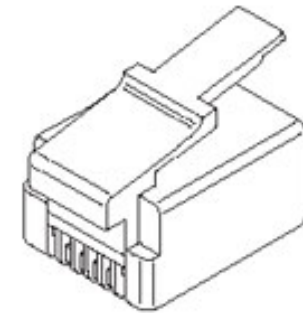
Product Family [Modular Jacks/Plugs](#)
 Series [90075](#)
 Component Type [Wire Plug](#)
 Magnetic [No](#)
 Overview [Modular Plugs - Jacks](#)
 Performance Category [3](#)
 Power over Ethernet (PoE) [N/A](#)
 Product Name [RJ11](#)
 UPC [800753868670](#)

Physical

Boot Color [N/A](#)
 Color - Resin [Clear](#)
 Durability (mating cycles max) [500](#)
 Flammability [94V-0](#)
 Inverted / Top Latch [N/A](#)
 Jack Height [N/A](#)
 Lightpipes/LEDs [None](#)
 Material - Metal [Phosphor Bronze](#)
 Material - Plating Mating [Gold](#)
 Material - Plating Termination [Tin](#)
 Material - Resin [Polycarbonate](#)
 Net Weight [0.720/g](#)
 Orientation [N/A](#)
 PCB Retention [None](#)
 Packaging Type [Bag](#)
 Pitch - Mating Interface [1.02mm](#)
 Pitch - Termination Interface [1.02mm](#)
 Plating min - Mating [1.270µm](#)
 Plating min - Termination [1.270µm](#)
 Ports [1](#)
 Positions / Loaded Contacts [4/4](#)
 Surface Mount Compatible (SMC) [No](#)
 Temperature Range - Operating [-40°C to +60°C](#)
 Termination Interface: Style [N/A](#)
 Waterproof / Dustproof [No](#)
 Wire/Cable Type [Flat Oval](#)

Electrical

Current - Maximum per Contact [1.5A](#)
 Grounding to Panel [N/A](#)
 Shielded [No](#)



Series

image - Reference only

EU RoHS

**ELV and RoHS
Compliant**

REACH SVHC

Not Reviewed

Low-Halogen Status

Low-Halogen

China RoHS



**Need more information on product
environmental compliance?**

Email productcompliance@molex.com
 For a multiple part number RoHS Certificate of
 Compliance, [click here](#)

Please visit the [Contact Us](#) section for any
 non-product compliance questions.

Search Parts in this Series

[90075Series](#)

Mates With

[FCC 68 Jacks...](#)

Application Tooling | FAQ

*Tooling specifications and manuals are
 found by selecting the products below.
 Crimp Height Specifications are then
 contained in the Application Tooling
 Specification document.*

Global

Description	Product #
IDT - Manual Press	0011201273
Parallel Action Handtool for Modular Plug, FCC 68, 4/4 Circuit, Short Body	0690081120

Voltage - Maximum

125V DC

Material Info

Reference - Drawing Numbers

Application Specification

AS-90075

Product Specification

PS-90075

Sales Drawing

SDA-90075

This document was generated on 04/04/2013

PLEASE CHECK WWW.MOLEX.COM FOR LATEST PART INFORMATION