

PLEASE CHECK WWW.MOLEX.COM FOR LATEST PART INFORMATION

Part Number: [0900750027](#)
Status: **Active**
Overview: [modular_plugs_jacks](#)
Description: Modular Plug, Short Body, 4/4

Documents:

[3D Model](#) [Application Specification AS-90075 \(PDF\)](#)
[Drawing \(PDF\)](#) [RoHS Certificate of Compliance \(PDF\)](#)
[Product Specification PS-90075 \(PDF\)](#)

Agency Certification

UL E107635

General

Product Family Modular Jacks/Plugs
 Series [90075](#)
 Component Type Wire Plug
 Magnetic No
 Overview [modular_plugs_jacks](#)
 Performance Category 3
 Power over Ethernet (PoE) N/A
 Product Name RJ11

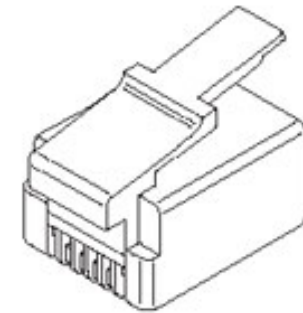
Physical

Boot Color N/A
 Color - Resin Clear
 Durability (mating cycles max) 500
 Flammability 94V-0
 Inverted / Top Latch N/A
 Jack Height N/A
 Lightpipes/LEDs None
 Material - Metal Phosphor Bronze
 Material - Plating Mating Gold
 Material - Plating Termination Tin
 Material - Resin Polycarbonate
 Orientation N/A
 PCB Retention None
 Packaging Type Bag
 Pitch - Mating Interface 1.02mm
 Pitch - Termination Interface 1.02mm
 Plating min - Mating 1.270µm
 Plating min - Termination 1.270µm
 Ports 1
 Positions / Loaded Contacts 4/4
 Surface Mount Compatible (SMC) No
 Temperature Range - Operating -40°C to +60°C
 Termination Interface: Style N/A
 Waterproof / Dustproof No
 Wire/Cable Type Flat Oval

Electrical

Current - Maximum per Contact 1.5A
 Grounding to Panel N/A
 Shielded No
 Voltage - Maximum 125V DC

Material Info



Series

image - Reference only

EU RoHS

**ELV and RoHS
Compliant**

REACH SVHC

**Contains SVHC: No
Low-Halogen Status
Low-Halogen**

China RoHS



**Need more information on product
environmental compliance?**

Email productcompliance@molex.com
 For a multiple part number RoHS Certificate of
 Compliance, [click here](#)

Please visit the [Contact Us](#) section for any
 non-product compliance questions.

Search Parts in this Series

[90075Series](#)

Mates With

[FCC 68 Jacks...](#)

Application Tooling | FAQ

*Tooling specifications and manuals are
 found by selecting the products below.
 Crimp Height Specifications are then
 contained in the Application Tooling
 Specification document.*

Global

Description	Product #
Parallel Action Handtool for Modular Plug, FCC 68, 4/4 Circuit, Short Body	0690081120
IDT - Manual Press	0011201273

Reference - Drawing Numbers

Application Specification

Product Specification

Sales Drawing

AS-90075

PS-90075

SDA-90075

This document was generated on 03/13/2012

PLEASE CHECK WWW.MOLEX.COM FOR LATEST PART INFORMATION