

**PLEASE CHECK WWW.MOLEX.COM FOR LATEST PART INFORMATION**

**Part Number:** [90075-0035](#)  
**Status:** **Active**  
**Overview:** [Modular Plugs - Jacks](#)  
**Description:** [Modular Plug, Short Body, 6/4](#)

**Documents:**

[3D Model](#) [Application Specification AS-90075 \(PDF\)](#)  
[Drawing \(PDF\)](#) [RoHS Certificate of Compliance \(PDF\)](#)  
[Product Specification PS-90075 \(PDF\)](#)

**Agency Certification**

UL E107635

**General**

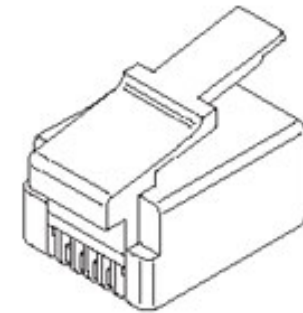
Product Family [Modular Jacks/Plugs](#)  
 Series [90075](#)  
 Component Type [Wire Plug](#)  
 Magnetic [No](#)  
 Overview [Modular Plugs - Jacks](#)  
 Performance Category [3](#)  
 Power over Ethernet (PoE) [N/A](#)  
 Product Name [RJ11](#)  
 UPC [800753746800](#)

**Physical**

Boot Color [N/A](#)  
 Color - Resin [Clear](#)  
 Durability (mating cycles max) [500](#)  
 Flammability [94V-0](#)  
 Inverted / Top Latch [N/A](#)  
 Jack Height [N/A](#)  
 Lightpipes/LEDs [None](#)  
 Material - Metal [Phosphor Bronze](#)  
 Material - Plating Mating [Gold](#)  
 Material - Plating Termination [Tin](#)  
 Material - Resin [Polycarbonate](#)  
 Net Weight [0.915/g](#)  
 Orientation [N/A](#)  
 PCB Retention [None](#)  
 Packaging Type [Bag](#)  
 Pitch - Mating Interface [1.02mm](#)  
 Pitch - Termination Interface [1.02mm](#)  
 Plating min - Mating [1.270µm](#)  
 Plating min - Termination [1.270µm](#)  
 Ports [1](#)  
 Positions / Loaded Contacts [6/4](#)  
 Surface Mount Compatible (SMC) [No](#)  
 Temperature Range - Operating [-40°C to +60°C](#)  
 Termination Interface: Style [N/A](#)  
 Waterproof / Dustproof [No](#)  
 Wire/Cable Type [Flat Oval](#)

**Electrical**

Current - Maximum per Contact [1.5A](#)  
 Grounding to Panel [N/A](#)  
 Shielded [No](#)



*image - Reference only*

*Series*

**EU RoHS**

**ELV and RoHS Compliant**  
**REACH SVHC Contains SVHC: No**  
**Low-Halogen Status Low-Halogen**

**China RoHS**



**Need more information on product environmental compliance?**

Email [productcompliance@molex.com](mailto:productcompliance@molex.com)  
 For a multiple part number RoHS Certificate of Compliance, [click here](#)

Please visit the [Contact Us](#) section for any non-product compliance questions.

**Search Parts in this Series**

[90075Series](#)

**Mates With**

[FCC 68 Jacks...](#)

**Application Tooling | FAQ**

*Tooling specifications and manuals are found by selecting the products below. Crimp Height Specifications are then contained in the Application Tooling Specification document.*

**Global**

Description	Product #
IDT - Manual Press	<a href="#">0011201273</a>
Parallel Action Handtool for Modular Plug, 6/4 Circuit, Short Body	<a href="#">0690081121</a>

Voltage - Maximum

125V DC

**Material Info**

Old Part Number

A-90075-0035

**Reference - Drawing Numbers**

Application Specification

AS-90075

Product Specification

PS-90075

Sales Drawing

SDA-90075

This document was generated on 09/06/2013

**PLEASE CHECK [WWW.MOLEX.COM](http://WWW.MOLEX.COM) FOR LATEST PART INFORMATION**