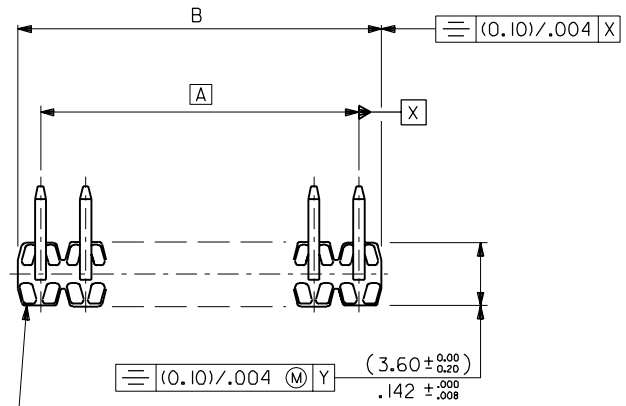
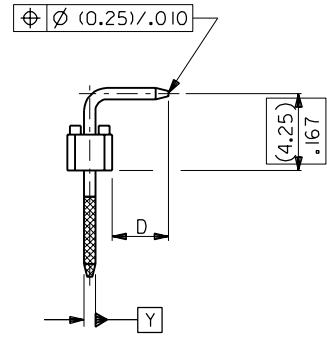
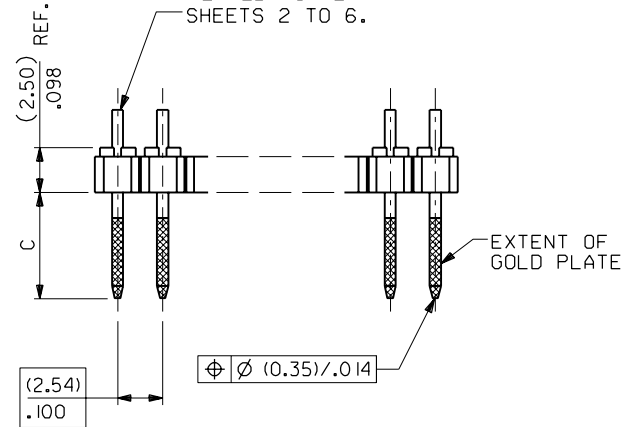


PART NO. SEE CHART
 DWG. NO. SDA-90121



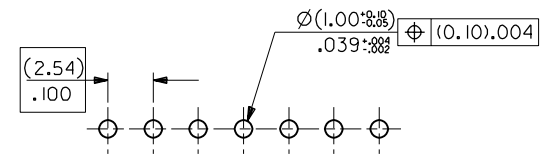
WAFER: 15% GLASS FILLED POLYESTER
 TO UL 94V-0.
 COLOUR : BLACK.

PINS: (Ø.635)/.025 SQ.
 BRASS WIRE.
 PLATED AS PER
 SHEETS 2 TO 6.



NOTES

1. FOR ASSY NUMBERS WITH FINISH OPTIONS
 AND DIM'S C & D SEE SHEETS 2 TO 6.



RECOMMENDED P.C. BOARD HOLE PATTERN

CKT SIZE	DIM. "A"		DIM. "B" (+0.20 / -0.08)		CKT SIZE	DIM. "A"		DIM. "B" (+0.20 / -0.08)	
1X 1			(2.54)	.100	1X21	(50.80)	2.000	(53.34)	2.100
1X 2	(2.54)	.100	(5.08)	.200	1X22	(53.34)	2.100	(55.88)	2.200
1X 3	(5.08)	.200	(7.62)	.300	1X23	(55.88)	2.200	(58.42)	2.300
1X 4	(7.62)	.300	(10.16)	.400	1X24	(58.42)	2.300	(60.96)	2.400
1X 5	(10.16)	.400	(12.70)	.500	1X25	(60.96)	2.400	(63.50)	2.500
1X 6	(12.70)	.500	(15.24)	.600	1X26	(63.50)	2.500	(66.04)	2.600
1X 7	(15.24)	.600	(17.78)	.700	1X27	(66.04)	2.600	(68.58)	2.700
1X 8	(17.78)	.700	(20.32)	.800	1X28	(68.58)	2.700	(71.12)	2.800
1X 9	(20.32)	.800	(22.86)	.900	1X29	(71.12)	2.800	(73.66)	2.900
1X10	(22.86)	.900	(25.40)	1.000	1X30	(73.66)	2.900	(76.20)	3.000
1X11	(25.40)	1.000	(27.94)	1.100	1X31	(76.20)	3.000	(78.74)	3.100
1X12	(27.94)	1.100	(30.48)	1.200	1X32	(78.74)	3.100	(81.28)	3.200
1X13	(30.48)	1.200	(33.02)	1.300	1X33	(81.28)	3.200	(83.82)	3.300
1X14	(33.02)	1.300	(35.56)	1.400	1X34	(83.82)	3.300	(86.36)	3.400
1X15	(35.56)	1.400	(38.10)	1.500	1X35	(86.36)	3.400	(88.90)	3.500
1X16	(38.10)	1.500	(40.64)	1.600	1X36	(88.90)	3.500	(91.44)	3.600
1X17	(40.64)	1.600	(43.18)	1.700	1X37	(91.44)	3.600	(93.98)	3.700
1X18	(43.18)	1.700	(45.72)	1.800	1X38	(93.98)	3.700	(96.52)	3.800
1X19	(45.72)	1.800	(48.26)	1.900	1X39	(96.52)	3.800	(99.06)	3.900
1X20	(48.26)	1.900	(50.80)	2.000	1X40	(99.06)	3.900	(101.60)	4.000

6	H
5	H
4	H
3	H
2	H
1	H
SH.	REV.

FOR PREVIOUS
 DRAWING ISSUES
 SEE MRI.

ECO MEML-928
 DB 16-7-87

DIMENSIONS SHOWN (METRIC) INCH	
UNLESS OTHERWISE SPECIFIED TOLERANCES: ANGULAR ± 5°	
INCH	(METRIC)
3 PLACE ±	±
2 PLACE ±	±
1 PLACE ±	±
DRAFT WHERE APPLICABLE MUST REMAIN WITHIN DIMENSIONS	
DESIGN DIMENSION (PRIMARY)	<input checked="" type="checkbox"/> (MM) <input type="checkbox"/> IN.
EQUIVALENT DIMENSION (SECONDARY)	<input type="checkbox"/> (MM) <input checked="" type="checkbox"/> IN.

DRWG BY DB
 CHK'D BY
 APP'D BY
 SCALE 4:1

REVISE ONLY ON CAD SYSTEM

CAD/CAM FILENAME: S490121X1 DGN

THIS DRAWING CONTAINS INFORMATION THAT IS PROPRIETARY TO MOLEX INC. & SHOULD NOT BE USED WITHOUT WRITTEN PERMISSION

TITLE: C-GRID III SINGLE ROW RIGHT ANGLE HEADER

MOLEX MOLEX EUROPE SHEET NO. DATE: 10F6 16/ 7/87

PART NO. SEE CHART DWG. NO. SDA-90121 SIZE B

	10	9	8	7	6	5	4	3	2	1																																																																																																																																																																							
F	PART NO. SEE CHART DWG. NO. SDA-90121 DIM C (+/-0.20) (+/-0.008) (6.75) .266 DIM D (+/-0.25) (+/-0.01) (2.90) .114	<table border="1"> <thead> <tr> <th>CIRCUIT SIZE</th> <th>PLATING TYPE A PART NO.</th> <th>PLATING TYPE E PART NO.</th> <th>PLATING TYPE F PART NO.</th> </tr> </thead> <tbody> <tr><td>1 X 1</td><td>90121-0121</td><td>90121-0761</td><td>90121-0921</td></tr> <tr><td>1 X 2</td><td>↑ -0122</td><td>↑ -0762</td><td>↑ -0922</td></tr> <tr><td>1 X 3</td><td>-0123</td><td>-0763</td><td>-0923</td></tr> <tr><td>1 X 4</td><td>-0124</td><td>-0764</td><td>-0924</td></tr> <tr><td>1 X 5</td><td>-0125</td><td>-0765</td><td>-0925</td></tr> <tr><td>1 X 6</td><td>-0126</td><td>-0766</td><td>-0926</td></tr> <tr><td>1 X 7</td><td>-0127</td><td>-0767</td><td>-0927</td></tr> <tr><td>1 X 8</td><td>-0128</td><td>-0768</td><td>-0928</td></tr> <tr><td>1 X 9</td><td>-0129</td><td>-0769</td><td>-0929</td></tr> <tr><td>1 X 10</td><td>-0130</td><td>-0770</td><td>-0930</td></tr> <tr><td>1 X 11</td><td>-0131</td><td>-0771</td><td>-0931</td></tr> <tr><td>1 X 12</td><td>-0132</td><td>-0772</td><td>-0932</td></tr> <tr><td>1 X 13</td><td>-0133</td><td>-0773</td><td>-0933</td></tr> <tr><td>1 X 14</td><td>-0134</td><td>-0774</td><td>-0934</td></tr> <tr><td>1 X 15</td><td>-0135</td><td>-0775</td><td>-0935</td></tr> <tr><td>1 X 16</td><td>-0136</td><td>-0776</td><td>-0936</td></tr> <tr><td>1 X 17</td><td>-0137</td><td>-0777</td><td>-0937</td></tr> <tr><td>1 X 18</td><td>-0138</td><td>-0778</td><td>-0938</td></tr> <tr><td>1 X 19</td><td>-0139</td><td>-0779</td><td>-0939</td></tr> <tr><td>1 X 20</td><td>-0140</td><td>-0780</td><td>-0940</td></tr> <tr><td>1 X 21</td><td>-0141</td><td>-0781</td><td>-0941</td></tr> <tr><td>1 X 22</td><td>-0142</td><td>-0782</td><td>-0942</td></tr> <tr><td>1 X 23</td><td>-0143</td><td>-0783</td><td>-0943</td></tr> <tr><td>1 X 24</td><td>-0144</td><td>-0784</td><td>-0944</td></tr> <tr><td>1 X 25</td><td>-0145</td><td>-0785</td><td>-0945</td></tr> <tr><td>1 X 26</td><td>-0146</td><td>-0786</td><td>-0946</td></tr> <tr><td>1 X 27</td><td>-0147</td><td>-0787</td><td>-0947</td></tr> <tr><td>1 X 28</td><td>-0148</td><td>-0788</td><td>-0948</td></tr> <tr><td>1 X 29</td><td>-0149</td><td>-0789</td><td>-0949</td></tr> <tr><td>1 X 30</td><td>-0150</td><td>-0790</td><td>-0950</td></tr> <tr><td>1 X 31</td><td>-0151</td><td>-0791</td><td>-0951</td></tr> <tr><td>1 X 32</td><td>-0152</td><td>-0792</td><td>-0952</td></tr> <tr><td>1 X 33</td><td>-0153</td><td>-0793</td><td>-0953</td></tr> <tr><td>1 X 34</td><td>-0154</td><td>-0794</td><td>-0954</td></tr> <tr><td>1 X 35</td><td>-0155</td><td>-0795</td><td>-0955</td></tr> <tr><td>1 X 36</td><td>-0156</td><td>-0796</td><td>-0956</td></tr> <tr><td>1 X 37</td><td>-0157</td><td>-0797</td><td>-0957</td></tr> <tr><td>1 X 38</td><td>-0158</td><td>-0798</td><td>-0958</td></tr> <tr><td>1 X 39</td><td>↓ -0159</td><td>↓ -0799</td><td>↓ -0959</td></tr> <tr><td>1 X 40</td><td>90121-0160</td><td>90121-0800</td><td>90121-0960</td></tr> </tbody> </table>			CIRCUIT SIZE	PLATING TYPE A PART NO.	PLATING TYPE E PART NO.	PLATING TYPE F PART NO.	1 X 1	90121-0121	90121-0761	90121-0921	1 X 2	↑ -0122	↑ -0762	↑ -0922	1 X 3	-0123	-0763	-0923	1 X 4	-0124	-0764	-0924	1 X 5	-0125	-0765	-0925	1 X 6	-0126	-0766	-0926	1 X 7	-0127	-0767	-0927	1 X 8	-0128	-0768	-0928	1 X 9	-0129	-0769	-0929	1 X 10	-0130	-0770	-0930	1 X 11	-0131	-0771	-0931	1 X 12	-0132	-0772	-0932	1 X 13	-0133	-0773	-0933	1 X 14	-0134	-0774	-0934	1 X 15	-0135	-0775	-0935	1 X 16	-0136	-0776	-0936	1 X 17	-0137	-0777	-0937	1 X 18	-0138	-0778	-0938	1 X 19	-0139	-0779	-0939	1 X 20	-0140	-0780	-0940	1 X 21	-0141	-0781	-0941	1 X 22	-0142	-0782	-0942	1 X 23	-0143	-0783	-0943	1 X 24	-0144	-0784	-0944	1 X 25	-0145	-0785	-0945	1 X 26	-0146	-0786	-0946	1 X 27	-0147	-0787	-0947	1 X 28	-0148	-0788	-0948	1 X 29	-0149	-0789	-0949	1 X 30	-0150	-0790	-0950	1 X 31	-0151	-0791	-0951	1 X 32	-0152	-0792	-0952	1 X 33	-0153	-0793	-0953	1 X 34	-0154	-0794	-0954	1 X 35	-0155	-0795	-0955	1 X 36	-0156	-0796	-0956	1 X 37	-0157	-0797	-0957	1 X 38	-0158	-0798	-0958	1 X 39	↓ -0159	↓ -0799	↓ -0959	1 X 40	90121-0160	90121-0800	90121-0960									
CIRCUIT SIZE		PLATING TYPE A PART NO.	PLATING TYPE E PART NO.	PLATING TYPE F PART NO.																																																																																																																																																																													
1 X 1		90121-0121	90121-0761	90121-0921																																																																																																																																																																													
1 X 2		↑ -0122	↑ -0762	↑ -0922																																																																																																																																																																													
1 X 3		-0123	-0763	-0923																																																																																																																																																																													
1 X 4		-0124	-0764	-0924																																																																																																																																																																													
1 X 5		-0125	-0765	-0925																																																																																																																																																																													
1 X 6		-0126	-0766	-0926																																																																																																																																																																													
1 X 7		-0127	-0767	-0927																																																																																																																																																																													
1 X 8		-0128	-0768	-0928																																																																																																																																																																													
1 X 9		-0129	-0769	-0929																																																																																																																																																																													
1 X 10		-0130	-0770	-0930																																																																																																																																																																													
1 X 11		-0131	-0771	-0931																																																																																																																																																																													
1 X 12		-0132	-0772	-0932																																																																																																																																																																													
1 X 13		-0133	-0773	-0933																																																																																																																																																																													
1 X 14		-0134	-0774	-0934																																																																																																																																																																													
1 X 15		-0135	-0775	-0935																																																																																																																																																																													
1 X 16		-0136	-0776	-0936																																																																																																																																																																													
1 X 17		-0137	-0777	-0937																																																																																																																																																																													
1 X 18		-0138	-0778	-0938																																																																																																																																																																													
1 X 19		-0139	-0779	-0939																																																																																																																																																																													
1 X 20		-0140	-0780	-0940																																																																																																																																																																													
1 X 21		-0141	-0781	-0941																																																																																																																																																																													
1 X 22		-0142	-0782	-0942																																																																																																																																																																													
1 X 23		-0143	-0783	-0943																																																																																																																																																																													
1 X 24		-0144	-0784	-0944																																																																																																																																																																													
1 X 25		-0145	-0785	-0945																																																																																																																																																																													
1 X 26		-0146	-0786	-0946																																																																																																																																																																													
1 X 27		-0147	-0787	-0947																																																																																																																																																																													
1 X 28		-0148	-0788	-0948																																																																																																																																																																													
1 X 29		-0149	-0789	-0949																																																																																																																																																																													
1 X 30		-0150	-0790	-0950																																																																																																																																																																													
1 X 31		-0151	-0791	-0951																																																																																																																																																																													
1 X 32		-0152	-0792	-0952																																																																																																																																																																													
1 X 33		-0153	-0793	-0953																																																																																																																																																																													
1 X 34		-0154	-0794	-0954																																																																																																																																																																													
1 X 35		-0155	-0795	-0955																																																																																																																																																																													
1 X 36		-0156	-0796	-0956																																																																																																																																																																													
1 X 37		-0157	-0797	-0957																																																																																																																																																																													
1 X 38		-0158	-0798	-0958																																																																																																																																																																													
1 X 39	↓ -0159	↓ -0799	↓ -0959																																																																																																																																																																														
1 X 40	90121-0160	90121-0800	90121-0960																																																																																																																																																																														
E																																																																																																																																																																																	
D																																																																																																																																																																																	
C																																																																																																																																																																																	
B																																																																																																																																																																																	
A	NOTES: FOR PLATING VARIATIONS SEE ENG.STD. SDES-99000-0003. STANDARD PRODUCTS			FOR PREVIOUS DRAWING ISSUES SEE MRI.			SEE SHEET I.																																																																																																																																																																										
	10	9	8	7	6	5	4	3	2	1																																																																																																																																																																							

FOR PREVIOUS DRAWING ISSUES SEE MRI.

SEE SHEET I.

LTR	REVISIONS	DIMENSIONS SHOWN (METRIC) INCH UNLESS OTHERWISE SPECIFIED TOLERANCES: ANGULAR ± 1/2° INCH (METRIC) 3 PLACE ± . --- ± --- 2 PLACE ± . --- ± --- 1 PLACE ± . --- ± --- DRAFT WHERE APPLICABLE MUST REMAIN WITHIN DIMENSIONS	DRWG BY DB CHK'D BY APP'D BY SCALE
		DESIGN DIMENSION <input checked="" type="checkbox"/> (MM) (PRIMARY) <input type="checkbox"/> IN. EQUIVALENT DIMENSION <input type="checkbox"/> (MM) (SECONDARY) <input checked="" type="checkbox"/> IN.	

REVISE ONLY ON CAD SYSTEM		SH.	REV.
CAD/CAM FILENAME SA90121X2 DGN	THIS DRAWING CONTAINS INFORMATION THAT IS PROPRIETARY TO MOLEX INC. & SHOULD NOT BE USED WITHOUT WRITTEN PERMISSION		
TITLE C-GRID III SINGLE ROW RIGHT ANGLE HEADER			
MOLEX EUROPE		SHEET NO. 20F	DATE 16/ 7/87
PART NO. SEE CHART	DWG NO. SDA-90121	SIZE B	