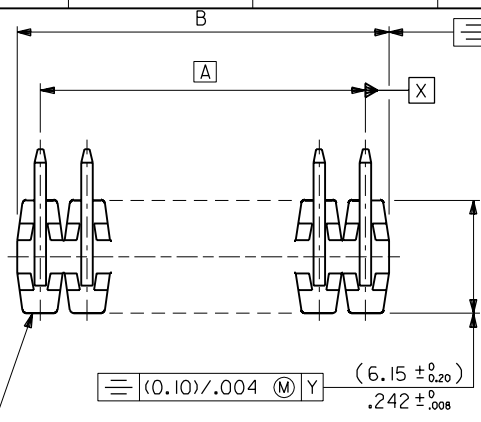


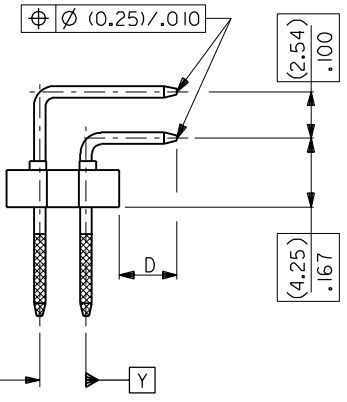
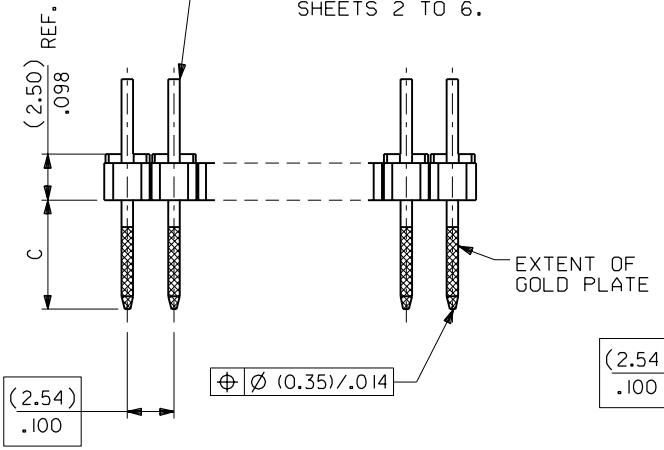
PART NO. SEE CHART  
DWG. NO. SDA-90122



(0.10)/.004 (M) Y (6.15 ± 0.20) .242 ± 0.008

WAFER: 15% GLASS FILLED POLYESTER TO UL 94V-0. COLOUR : BLACK.

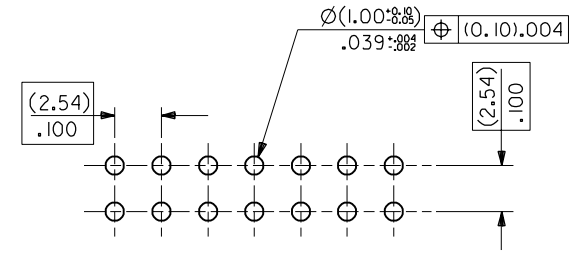
PINS: (Ø.635)/.025 SQ. BRASS WIRE. PLATED AS PER SHEETS 2 TO 6.



CKT SIZE	DIM. "A"		DIM. "B" (±0.20) ±.008		CKT SIZE	DIM. "A"		DIM. "B" (±0.20) ±.008	
2X 1			(2.54)	.100	2X21	(50.80)	2.000	(53.34)	2.100
2X 2	(2.54)	.100	(5.08)	.200	2X22	(53.34)	2.100	(55.88)	2.200
2X 3	(5.08)	.200	(7.62)	.300	2X23	(55.88)	2.200	(58.42)	2.300
2X 4	(7.62)	.300	(10.16)	.400	2X24	(58.42)	2.300	(60.96)	2.400
2X 5	(10.16)	.400	(12.70)	.500	2X25	(60.96)	2.400	(63.50)	2.500
2X 6	(12.70)	.500	(15.24)	.600	2X26	(63.50)	2.500	(66.04)	2.600
2X 7	(15.24)	.600	(17.78)	.700	2X27	(66.04)	2.600	(68.58)	2.700
2X 8	(17.78)	.700	(20.32)	.800	2X28	(68.58)	2.700	(71.12)	2.800
2X 9	(20.32)	.800	(22.86)	.900	2X29	(71.12)	2.800	(73.66)	2.900
2X10	(22.86)	.900	(25.40)	1.000	2X30	(73.66)	2.900	(76.20)	3.000
2X11	(25.40)	1.000	(27.94)	1.100	2X31	(76.20)	3.000	(78.74)	3.100
2X12	(27.94)	1.100	(30.48)	1.200	2X32	(78.74)	3.100	(81.28)	3.200
2X13	(30.48)	1.200	(33.02)	1.300	2X33	(81.28)	3.200	(83.82)	3.300
2X14	(33.02)	1.300	(35.56)	1.400	2X34	(83.82)	3.300	(86.36)	3.400
2X15	(35.56)	1.400	(38.10)	1.500	2X35	(86.36)	3.400	(88.90)	3.500
2X16	(38.10)	1.500	(40.64)	1.600	2X36	(88.90)	3.500	(91.44)	3.600
2X17	(40.64)	1.600	(43.18)	1.700	2X37	(91.44)	3.600	(93.98)	3.700
2X18	(43.18)	1.700	(45.72)	1.800	2X38	(93.98)	3.700	(96.52)	3.800
2X19	(45.72)	1.800	(48.26)	1.900	2X39	(96.52)	3.800	(99.06)	3.900
2X20	(48.26)	1.900	(50.80)	2.000	2X40	(99.06)	3.900	(101.60)	4.000

NOTES

1. FOR ASSY NUMBERS WITH FINISH OPTIONS AND DIM'S C & D SEE SHEETS 2 TO 6.



RECOMMENDED P.C. BOARD HOLE PATTERN

6	H
5	H
4	H
3	H
2	H
1	J

UPDATED BORDER EC NO. E2001-0463 DRWN: FINDERAK 00/10/26 CHK: CH/K1 APPR:	DESCRIPTION MAJOR = ▲ CRITICAL = ▽ C = ▽	QUALITY SYMBOLS	GENERAL TOLERANCES: (UNLESS SPECIFIED) mm      INCH		SCALE 4 : 1	DESIGN UNITS <input checked="" type="checkbox"/> mm <input type="checkbox"/> INCH	<input checked="" type="checkbox"/> THIRD ANGLE PROJECTION	SHT	REV
			4 PLACES ±0.      ±.	3 PLACES ±0.      ±.				2 PLACES ±0.      ±.	1 PLACE ±0.      ±.
DRAWN BY & DATE DB 16/07/87						TITLE: <b>C-GRID III          DUAL ROW RIGHT          ANGLE HEADER</b>			
CHECKED BY & DATE 16/07/87						MOLEX INCORPORATED			
APPROVED BY & DATE 16/07/87						CAD FILENAME		MATERIAL NO.      DRAWING NO. SEE CHART      SDA-90122	
SHEET NO. 1 OF 6						SHEET NO. 1 OF 6			

	10	9	8	7	6	5	4	3	2	1																																																																																																																																																																										
F	PART NO. SEE CHART DWG. NO. SDA-90122  DIM C (+/-0.20) (+/-0.008) (6.75) .266  DIM D (+/-0.25) (+/-0.01) (2.90) .114	<table border="1"> <thead> <tr> <th>CIRCUIT SIZE</th> <th>PLATING TYPE A PART NO.</th> <th>PLATING TYPE E PART NO.</th> <th>PLATING TYPE F PART NO.</th> </tr> </thead> <tbody> <tr><td>2 X 1</td><td>90122-0121</td><td>90122-0761</td><td>90122-0921</td></tr> <tr><td>2 X 2</td><td>↑ -0122</td><td>↑ -0762</td><td>↑ -0922</td></tr> <tr><td>2 X 3</td><td>-0123</td><td>-0763</td><td>-0923</td></tr> <tr><td>2 X 4</td><td>-0124</td><td>-0764</td><td>-0924</td></tr> <tr><td>2 X 5</td><td>-0125</td><td>-0765</td><td>-0925</td></tr> <tr><td>2 X 6</td><td>-0126</td><td>-0766</td><td>-0926</td></tr> <tr><td>2 X 7</td><td>-0127</td><td>-0767</td><td>-0927</td></tr> <tr><td>2 X 8</td><td>-0128</td><td>-0768</td><td>-0928</td></tr> <tr><td>2 X 9</td><td>-0129</td><td>-0769</td><td>-0929</td></tr> <tr><td>2 X 10</td><td>-0130</td><td>-0770</td><td>-0930</td></tr> <tr><td>2 X 11</td><td>-0131</td><td>-0771</td><td>-0931</td></tr> <tr><td>2 X 12</td><td>-0132</td><td>-0772</td><td>-0932</td></tr> <tr><td>2 X 13</td><td>-0133</td><td>-0773</td><td>-0933</td></tr> <tr><td>2 X 14</td><td>-0134</td><td>-0774</td><td>-0934</td></tr> <tr><td>2 X 15</td><td>-0135</td><td>-0775</td><td>-0935</td></tr> <tr><td>2 X 16</td><td>-0136</td><td>-0776</td><td>-0936</td></tr> <tr><td>2 X 17</td><td>-0137</td><td>-0777</td><td>-0937</td></tr> <tr><td>2 X 18</td><td>-0138</td><td>-0778</td><td>-0938</td></tr> <tr><td>2 X 19</td><td>-0139</td><td>-0779</td><td>-0939</td></tr> <tr><td>2 X 20</td><td>-0140</td><td>-0780</td><td>-0940</td></tr> <tr><td>2 X 21</td><td>-0141</td><td>-0781</td><td>-0941</td></tr> <tr><td>2 X 22</td><td>-0142</td><td>-0782</td><td>-0942</td></tr> <tr><td>2 X 23</td><td>-0143</td><td>-0783</td><td>-0943</td></tr> <tr><td>2 X 24</td><td>-0144</td><td>-0784</td><td>-0944</td></tr> <tr><td>2 X 25</td><td>-0145</td><td>-0785</td><td>-0945</td></tr> <tr><td>2 X 26</td><td>-0146</td><td>-0786</td><td>-0946</td></tr> <tr><td>2 X 27</td><td>-0147</td><td>-0787</td><td>-0947</td></tr> <tr><td>2 X 28</td><td>-0148</td><td>-0788</td><td>-0948</td></tr> <tr><td>2 X 29</td><td>-0149</td><td>-0789</td><td>-0949</td></tr> <tr><td>2 X 30</td><td>-0150</td><td>-0790</td><td>-0950</td></tr> <tr><td>2 X 31</td><td>-0151</td><td>-0791</td><td>-0951</td></tr> <tr><td>2 X 32</td><td>-0152</td><td>-0792</td><td>-0952</td></tr> <tr><td>2 X 33</td><td>-0153</td><td>-0793</td><td>-0953</td></tr> <tr><td>2 X 34</td><td>-0154</td><td>-0794</td><td>-0954</td></tr> <tr><td>2 X 35</td><td>-0155</td><td>-0795</td><td>-0955</td></tr> <tr><td>2 X 36</td><td>-0156</td><td>-0796</td><td>-0956</td></tr> <tr><td>2 X 37</td><td>-0157</td><td>-0797</td><td>-0957</td></tr> <tr><td>2 X 38</td><td>-0158</td><td>-0798</td><td>-0958</td></tr> <tr><td>2 X 39</td><td>↓ -0159</td><td>↓ -0799</td><td>↓ -0959</td></tr> <tr><td>2 X 40</td><td>90122-0160</td><td>90122-0800</td><td>90122-0960</td></tr> </tbody> </table>			CIRCUIT SIZE	PLATING TYPE A PART NO.	PLATING TYPE E PART NO.	PLATING TYPE F PART NO.	2 X 1	90122-0121	90122-0761	90122-0921	2 X 2	↑ -0122	↑ -0762	↑ -0922	2 X 3	-0123	-0763	-0923	2 X 4	-0124	-0764	-0924	2 X 5	-0125	-0765	-0925	2 X 6	-0126	-0766	-0926	2 X 7	-0127	-0767	-0927	2 X 8	-0128	-0768	-0928	2 X 9	-0129	-0769	-0929	2 X 10	-0130	-0770	-0930	2 X 11	-0131	-0771	-0931	2 X 12	-0132	-0772	-0932	2 X 13	-0133	-0773	-0933	2 X 14	-0134	-0774	-0934	2 X 15	-0135	-0775	-0935	2 X 16	-0136	-0776	-0936	2 X 17	-0137	-0777	-0937	2 X 18	-0138	-0778	-0938	2 X 19	-0139	-0779	-0939	2 X 20	-0140	-0780	-0940	2 X 21	-0141	-0781	-0941	2 X 22	-0142	-0782	-0942	2 X 23	-0143	-0783	-0943	2 X 24	-0144	-0784	-0944	2 X 25	-0145	-0785	-0945	2 X 26	-0146	-0786	-0946	2 X 27	-0147	-0787	-0947	2 X 28	-0148	-0788	-0948	2 X 29	-0149	-0789	-0949	2 X 30	-0150	-0790	-0950	2 X 31	-0151	-0791	-0951	2 X 32	-0152	-0792	-0952	2 X 33	-0153	-0793	-0953	2 X 34	-0154	-0794	-0954	2 X 35	-0155	-0795	-0955	2 X 36	-0156	-0796	-0956	2 X 37	-0157	-0797	-0957	2 X 38	-0158	-0798	-0958	2 X 39	↓ -0159	↓ -0799	↓ -0959	2 X 40	90122-0160	90122-0800	90122-0960	<table border="1"> <tr> <td rowspan="2">FOR PREVIOUS DRAWING ISSUES SEE MRI.</td> <td rowspan="2">SEE SHEET I.</td> <td>           DIMENSIONS SHOWN (METRIC) INCH            UNLESS OTHERWISE SPECIFIED TOLERANCES: ANGULAR ± 1/2            INCH (METRIC)            3 PLACE ± . --- ± ---            2 PLACE ± . --- ± ---            1 PLACE ± . --- ± ---            DRAFT WHERE APPLICABLE MUST REMAIN WITHIN DIMENSIONS         </td> <td>           DRWG BY            DB            CHK'D BY            APP'D BY            SCALE         </td> </tr> <tr> <td>           DESIGN DIMENSION <input checked="" type="checkbox"/> (MM) (PRIMARY) <input type="checkbox"/> IN.            EQUIVALENT DIMENSION <input type="checkbox"/> (MM) (SECONDARY) <input checked="" type="checkbox"/> IN.         </td> <td>           TITLE            C-GRID III            DUAL ROW RIGHT            ANGLE HEADER            SHEET NO. DATE            20F 16/ 7/87            PART NO. DWG NO. SIZE            SEE CHART SDA-90122 B         </td> </tr> </table>			FOR PREVIOUS DRAWING ISSUES SEE MRI.	SEE SHEET I.	DIMENSIONS SHOWN (METRIC) INCH UNLESS OTHERWISE SPECIFIED TOLERANCES: ANGULAR ± 1/2 INCH (METRIC) 3 PLACE ± . --- ± --- 2 PLACE ± . --- ± --- 1 PLACE ± . --- ± --- DRAFT WHERE APPLICABLE MUST REMAIN WITHIN DIMENSIONS	DRWG BY DB CHK'D BY APP'D BY SCALE	DESIGN DIMENSION <input checked="" type="checkbox"/> (MM) (PRIMARY) <input type="checkbox"/> IN. EQUIVALENT DIMENSION <input type="checkbox"/> (MM) (SECONDARY) <input checked="" type="checkbox"/> IN.	TITLE C-GRID III DUAL ROW RIGHT ANGLE HEADER SHEET NO. DATE 20F 16/ 7/87 PART NO. DWG NO. SIZE SEE CHART SDA-90122 B	REVISE ONLY ON CAD SYSTEM SH. REV.		
CIRCUIT SIZE		PLATING TYPE A PART NO.	PLATING TYPE E PART NO.	PLATING TYPE F PART NO.																																																																																																																																																																																
2 X 1		90122-0121	90122-0761	90122-0921																																																																																																																																																																																
2 X 2		↑ -0122	↑ -0762	↑ -0922																																																																																																																																																																																
2 X 3		-0123	-0763	-0923																																																																																																																																																																																
2 X 4		-0124	-0764	-0924																																																																																																																																																																																
2 X 5		-0125	-0765	-0925																																																																																																																																																																																
2 X 6		-0126	-0766	-0926																																																																																																																																																																																
2 X 7		-0127	-0767	-0927																																																																																																																																																																																
2 X 8		-0128	-0768	-0928																																																																																																																																																																																
2 X 9		-0129	-0769	-0929																																																																																																																																																																																
2 X 10		-0130	-0770	-0930																																																																																																																																																																																
2 X 11		-0131	-0771	-0931																																																																																																																																																																																
2 X 12		-0132	-0772	-0932																																																																																																																																																																																
2 X 13		-0133	-0773	-0933																																																																																																																																																																																
2 X 14		-0134	-0774	-0934																																																																																																																																																																																
2 X 15		-0135	-0775	-0935																																																																																																																																																																																
2 X 16		-0136	-0776	-0936																																																																																																																																																																																
2 X 17		-0137	-0777	-0937																																																																																																																																																																																
2 X 18		-0138	-0778	-0938																																																																																																																																																																																
2 X 19		-0139	-0779	-0939																																																																																																																																																																																
2 X 20		-0140	-0780	-0940																																																																																																																																																																																
2 X 21		-0141	-0781	-0941																																																																																																																																																																																
2 X 22		-0142	-0782	-0942																																																																																																																																																																																
2 X 23		-0143	-0783	-0943																																																																																																																																																																																
2 X 24		-0144	-0784	-0944																																																																																																																																																																																
2 X 25		-0145	-0785	-0945																																																																																																																																																																																
2 X 26		-0146	-0786	-0946																																																																																																																																																																																
2 X 27		-0147	-0787	-0947																																																																																																																																																																																
2 X 28		-0148	-0788	-0948																																																																																																																																																																																
2 X 29		-0149	-0789	-0949																																																																																																																																																																																
2 X 30		-0150	-0790	-0950																																																																																																																																																																																
2 X 31		-0151	-0791	-0951																																																																																																																																																																																
2 X 32		-0152	-0792	-0952																																																																																																																																																																																
2 X 33		-0153	-0793	-0953																																																																																																																																																																																
2 X 34		-0154	-0794	-0954																																																																																																																																																																																
2 X 35		-0155	-0795	-0955																																																																																																																																																																																
2 X 36		-0156	-0796	-0956																																																																																																																																																																																
2 X 37		-0157	-0797	-0957																																																																																																																																																																																
2 X 38		-0158	-0798	-0958																																																																																																																																																																																
2 X 39	↓ -0159	↓ -0799	↓ -0959																																																																																																																																																																																	
2 X 40	90122-0160	90122-0800	90122-0960																																																																																																																																																																																	
FOR PREVIOUS DRAWING ISSUES SEE MRI.	SEE SHEET I.	DIMENSIONS SHOWN (METRIC) INCH UNLESS OTHERWISE SPECIFIED TOLERANCES: ANGULAR ± 1/2 INCH (METRIC) 3 PLACE ± . --- ± --- 2 PLACE ± . --- ± --- 1 PLACE ± . --- ± --- DRAFT WHERE APPLICABLE MUST REMAIN WITHIN DIMENSIONS	DRWG BY DB CHK'D BY APP'D BY SCALE																																																																																																																																																																																	
		DESIGN DIMENSION <input checked="" type="checkbox"/> (MM) (PRIMARY) <input type="checkbox"/> IN. EQUIVALENT DIMENSION <input type="checkbox"/> (MM) (SECONDARY) <input checked="" type="checkbox"/> IN.	TITLE C-GRID III DUAL ROW RIGHT ANGLE HEADER SHEET NO. DATE 20F 16/ 7/87 PART NO. DWG NO. SIZE SEE CHART SDA-90122 B																																																																																																																																																																																	
A	10	9	8	7	6	5	4	3	2	1																																																																																																																																																																										

NOTES:  
 FOR PLATING VARIATIONS SEE  
 ENG.STD. SDES-99000-0003.

STANDARD PRODUCTS