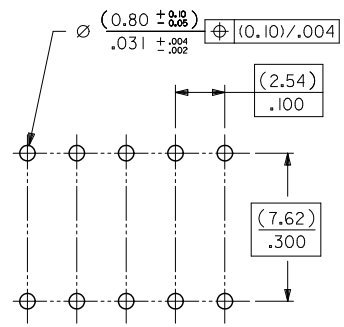
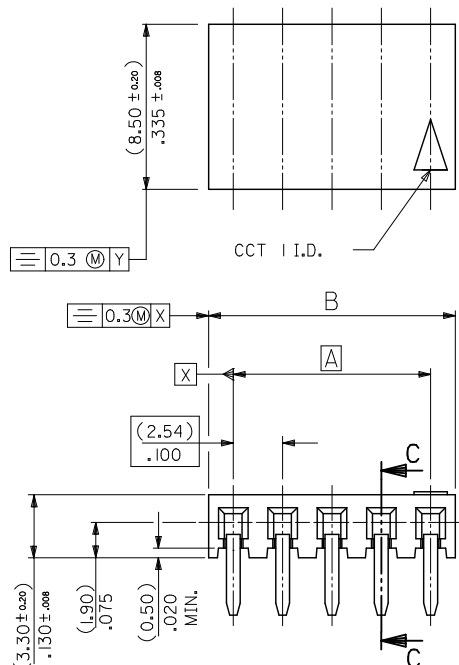
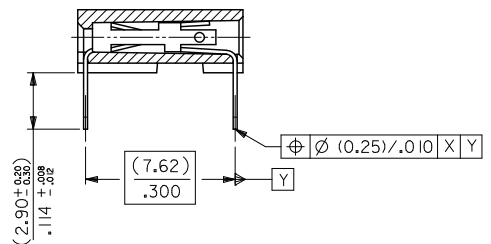


10 9 8 7 6 5 4 3 2 1



RECOMMENDED P.C. BOARD HOLE PATTERN FOR STRAIGHT PINS



SECTION C-C SHOWING STRAIGHT PINS

NOTES

- CONTACT-PLATED PHOSPHOR BRONZE. (SEE SHEET 2)
- HOUSING POLYESTER (PBT), 15% GLASS FILL, UL94-V0. COLOR: BLACK. ALSO POLYAMIDE (PA4/6), 30% GLASS FILL, UL94-V0. COLOR: NATURAL.
- FOR (0.635) ± .025 SQ. MALE PINS THE LENGTH MUST BE (5.65) ± .222 MIN & (7.00) ± .276 MAX. TO ENSURE GOOD CONNECTION WITH CONTACT.
- PRODUCT SPECIFICATION: PS-99020-0001
- PCB THICKNESS 1.6MM

UPDATE TOL SYMMETRY EC NO: S2010-0968 2010/05/24 DRWNSKANG 2010/06/04 CHYKATSEE 2010/06/05 APPR:MLONG	QUALITY SYMBOLS 	GENERAL TOLERANCES (UNLESS SPECIFIED)		DIMENSION STYLE	SCALE	DESIGN UNITS	THIRD ANGLE PROJECTION	
		mm	INCH	MM ONLY	NTS	METRIC		
		4 PLACES ± .005	± .005	DB	1987/07/14	TITLE		
		3 PLACES ± .005	± .005	CHECKED BY	DATE	C-GRID III SINGLE ROW HORIZONTAL P.C. BOARD CONN.		
		2 PLACES ± 0.15	± .005	D. MORIARTY	2005/03/02	MOLEX INCORPORATED		
1 PLACE ± .005	± .005	APPROVED BY	DATE	MATERIAL NO.	DOCUMENT NO.	SHEET NO.		
ANGULAR ± 2°		J. DENNEHY	2010/06/04	SEE TABLE	SDA-90148	1 OF 3		
DRAFT WHERE APPLICABLE MUST REMAIN WITHIN DIMENSIONS		THIS DRAWING CONTAINS INFORMATION THAT IS PROPRIETARY TO MOLEX INCORPORATED AND SHOULD NOT BE USED WITHOUT WRITTEN PERMISSION						

9 8 7 6 5 4 3 2 1

10 9 8 7 6 5 4 3 2 1

PART NO's - STRAIGHT PINS		PART NO.	NO OF CKTS.	DIM. A		DIM. B $(\pm 0.30)$ $\pm 0.25$		NO. PER TUBE
STANDARD	CUSTOMER SPECIFIC							
90148-1X02		90148-4X02	2	( 2.54 )	.100	( 5.08 )	.200	105
↑ 03	↑	↑ 03	3	( 5.08 )	.200	( 7.62 )	.300	72
↑ 04	↑	↑ 04	4	( 7.62 )	.300	(10.16)	.400	52
↑ 05	↑	↑ 05	5	(10.16)	.400	(12.70)	.500	44
↑ 06	90148-9X06	↑ 06	6	(12.70)	.500	(15.24)	.600	36
↑ 07	↑	↑ 07	7	(15.24)	.600	(17.78)	.700	30
↑ 08	↑	↑ 08	8	(17.78)	.700	(20.32)	.800	26
↑ 09	↑	↑ 09	9	(20.32)	.800	(22.86)	.900	24
↑ 10	↑	↑ 10	10	(22.86)	.900	(25.40)	1.000	22
↑ 11	↑	↑ 11	11	(25.40)	1.000	(27.94)	1.100	18
↑ 12	↑	↑ 12	12	(27.94)	1.100	(30.48)	1.200	18
↑ 13	↑	↑ 13	13					16
↑ 14	↑	↑ 14	14	(33.02)	1.300	(35.56)	1.400	14
↑ 15	↑	↑ 15	15	(35.56)	1.400	(38.10)	1.500	14
↑ 16	↑	↑ 16	16					13
↑ 17	↑	↑ 17	17					12
↑ 18	↑	↑ 18	18	(43.18)	1.700	(45.72)	1.800	12
↑ 19	↑	↑ 19	19	(45.72)	1.800	(48.26)	1.900	12
↑ 20	↑	↑ 20	20	(48.26)	1.900	(50.80)	2.000	11
↑ 21	↑	↑ 21	21					10
↑ 22	↑	↑ 22	22					10
↑ 23	↑	↑ 23	23					10
↑ 24	↑	↑ 24	24					9
↑ 25	↑	↑ 25	25	(60.96)	2.400	(63.50)	2.500	8
↑ 26	↑	↑ 26	26	(63.50)	2.500	(66.04)	2.600	8
↑ 27	↑	↑ 27	27					8
↑ 28	↑	↑ 28	28					7
↑ 29	↑	↑ 29	29					7
↑ 30	↑	↑ 30	30	(73.66)	2.900	(76.20)	3.000	7
↑ 31	↑	↑ 31	31					7
90148-1X32		90148-4X32	32	(78.74)	3.100	(81.28)	3.200	6

PLATING VERSION A

PRE-PLATED HOT DIP TIN  
1.0 TO 2.5 microns (.00004" TO .00010").

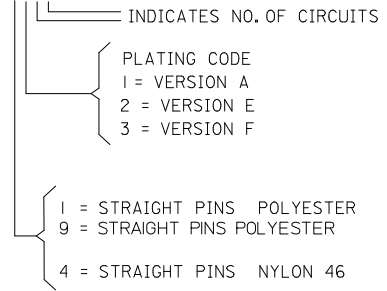
PLATING VERSION E

1.27 TO 1.78 microns (.00005" TO .00007") NICKEL  
OVERALL, 0.38 TO 0.64 microns (.000015" TO .000025")  
GOLD ON CONTACT AREA (OVER NICKEL).  
3 TO 5 microns (.00012" TO .00020") TIN  
ON SOLDER TAILS (OVER NICKEL).

PLATING VERSION F

1.27 TO 1.78 microns (.00005" TO .00007") NICKEL  
OVERALL, 0.76 TO 1.0 microns (.00003" TO .00004")  
GOLD ON CONTACT AREA (OVER NICKEL).  
3 TO 5 microns (.00012" TO .00020") TIN  
ON SOLDER TAILS (OVER NICKEL).

90148-XXYY



UPDATE TOL.SYMMETRY EC NO: S2010-0968 DRWNSKANG 2010/05/26 CHKYATSEE 2010/06/04 APPR:MLONG 2010/06/05 AK	QUALITY SYMBOLS ▽=0 ▽=0 ▽=0	GENERAL TOLERANCES (UNLESS SPECIFIED)		DIMENSION STYLE MM ONLY		SCALE NTS	DESIGN UNITS METRIC	THIRD ANGLE PROJECTION		
		4 PLACES ± --- ± ---	3 PLACES ± --- ± ---	2 PLACES ± 0.15 ± ---	1 PLACE ± --- ± ---	ANGULAR ± 2 °	DRAWN BY DB	DATE 1987/07/14	TITLE C-GRID III SINGLE ROW HORIZONTAL P.C BOARD CONN.	
		DRAFT WHERE APPLICABLE MUST REMAIN WITHIN DIMENSIONS		SEE TABLE		MATERIAL NO.	APPROVED BY J.DENNEHY	DATE 2010/06/04	MOLEX INCORPORATED	DOCUMENT NO. SDA-90148
				SIZE A3		THIS DRAWING CONTAINS INFORMATION THAT IS PROPRIETARY TO MOLEX INCORPORATED AND SHOULD NOT BE USED WITHOUT WRITTEN PERMISSION				SHEET NO. 2 OF 3

tb\_frame\_A3\_P\_AM.T  
Rev. F 2009/06/18

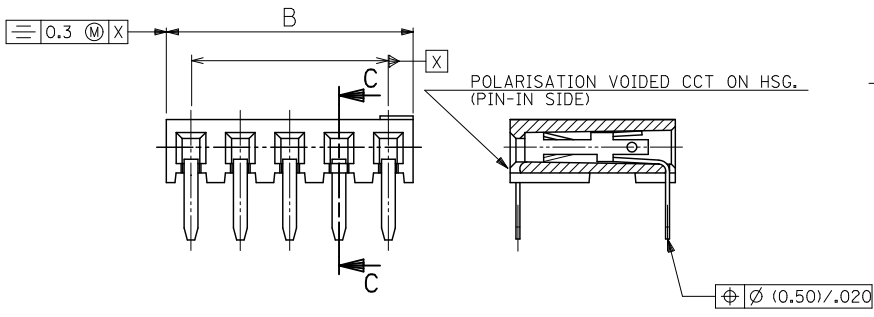
9 8 7 6 5 4 3 2 1

10 9 8 7 6 5 4 3 2 1

PART NO.	POLARISED CCT NO.	NO. OF CKTS.	DIM. A	DIM. B $\left( \begin{smallmatrix} \pm 0.30 \\ \pm 0.25 \end{smallmatrix} \right)$	NO. PER TUBE
90148-3X01	2	3	( 5.08 ) .200	( 7.62 ) .300	72

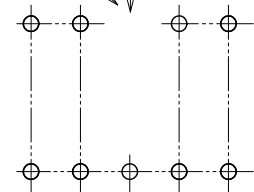
**NON-STANDARD PRODUCTS**

90148-XXXX  
 \_\_\_\_\_ OPTION NUMBER  
 ( NOT RELATING TO CCT SIZE OR OTHERWISE )  
 \_\_\_\_\_ PLATING CODE ( SEE SHEET 2 )  
 \_\_\_\_\_ 3 = STRAIGHT PINS POLYESTER, POLARISED



POLARISATION VOIDED  
 CCT ON P.C.B.  
 ( PIN-IN SIDE )

PIN INSERTION TO HOUSING  
 FROM THIS SIDE



SECTION C-C SHOWING POLARISED CCT

- NOTES  
 1) SEE SHEET 1 FOR ALL UNSPECIFIED DIMENSIONS AND NOTES.  
 2) PARTS NOT STACKABLE.

UPDATE TOL. SYMMETRY EC NO: S2010-0968 DRAWNSKING 2010/05/26 CHKDATSEE 2010/06/04 APPR:MLONG 2010/06/05 AK	QUALITY SYMBOLS $\nabla=0$ $\nabla=0$ $\nabla=0$	GENERAL TOLERANCES (UNLESS SPECIFIED)		DIMENSION STYLE MM ONLY		SCALE NTS	DESIGN UNITS METRIC	THIRD ANGLE PROJECTION		
			mm	INCH	DRAWN BY DB	DATE 1987/07/14	TITLE C-GRID III SINGLE ROW HORIZONTAL P.C BOARD CONN.			
		4 PLACES ± --- ± ---	3 PLACES ± --- ± ---	2 PLACES ± 0.15 ± ---	1 PLACE ± --- ± ---	CHECKED BY D. MORIARTY	DATE 2005/03/02	MOLEX INCORPORATED		
		ANGULAR ± 2 °		DRAFT WHERE APPLICABLE MUST REMAIN WITHIN DIMENSIONS		APPROVED BY J. DENNEHY	DATE 2010/06/04	DOCUMENT NO. SDA-90148	SHEET NO. 3 OF 3	

10 9 8 7 6 5 4 3 2 1

PART NO's - STRAIGHT PINS		PART NO.	NO OF CKTS.	DIM. A		DIM. B (+0.30 / -0.25)		NO. PER TUBE
STANDARD	CUSTOMER SPECIFIC							
90148-1X02		90148-4X02	2	( 2.54 ) .100	( 5.08 ) .200		105	
↑	↑ 03	↑	↑ 03	( 5.08 ) .200	( 7.62 ) .300		72	
	04		04	( 7.62 ) .300	(10.16) .400		52	
	05		05	(10.16) .400	(12.70) .500		44	
	06	90148-9X06	06	(12.70) .500	(15.24) .600		36	
	07		07	(15.24) .600	(17.78) .700		30	
	08		08	(17.78) .700	(20.32) .800		26	
	09		09	(20.32) .800	(22.86) .900		24	
	10		10	(22.86) .900	(25.40) 1.000		22	
	11		11	(25.40) 1.000	(27.94) 1.100		18	
	12		12	(27.94) 1.100	(30.48) 1.200		18	
	13		13				16	
	14		14	(33.02) 1.300	(35.56) 1.400		14	
	15		15	(35.56) 1.400	(38.10) 1.500		14	
	16		16				13	
	17		17				12	
	18		18	(43.18) 1.700	(45.72) 1.800		12	
	19		19	(45.72) 1.800	(48.26) 1.900		12	
	20		20	(48.26) 1.900	(50.80) 2.000		11	
	21		21				10	
	22		22				10	
	23		23				10	
	24		24				9	
	25		25	(60.96) 2.400	(63.50) 2.500		8	
	26		26	(63.50) 2.500	(66.04) 2.600		8	
	27		27				8	
	28		28				7	
	29		29				7	
	30		30	(73.66) 2.900	(76.20) 3.000		7	
	↓ 31		↓ 31				7	
90148-1X32		90148-4X32	32	(78.74) 3.100	(81.28) 3.200		6	

PLATING VERSION A

PRE-PLATED HOT DIP TIN  
1.0 TO 2.5 microns (.00004" TO .00010").

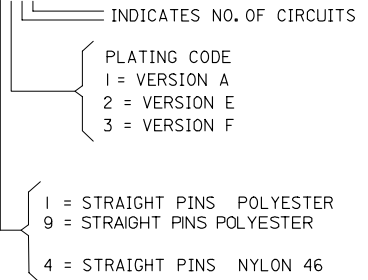
PLATING VERSION E

1.27 TO 1.78 microns (.00005" TO .00007") NICKEL  
OVERALL, 0.38 TO 0.64 microns (.000015" TO .000025")  
GOLD ON CONTACT AREA (OVER NICKEL).  
3 TO 5 microns (.00012" TO .00020") TIN  
ON SOLDER TAILS (OVER NICKEL).

PLATING VERSION F.

1.27 TO 1.78 microns (.00005" TO .00007") NICKEL  
OVERALL, 0.76 TO 1.0 microns (.00003" TO .00004")  
GOLD ON CONTACT AREA (OVER NICKEL).  
3 TO 5 microns (.00012" TO .00020") TIN  
ON SOLDER TAILS (OVER NICKEL).

90148-XXYY



ADD NEW P/N EC NO: E2007-0823 DRAWN BY: RINES CHKD: CHIKO APPR: EDMAHONY 2007/03/29 2007/03/29 2007/04/04 DESCRIPTION REV	QUALITY SYMBOLS	GENERAL TOLERANCES (UNLESS SPECIFIED)	DIMENSION STYLE	SCALE	DESIGN UNITS	THIRD ANGLE PROJECTION	
	▽=0	4 PLACES ± --- ± ---	MM ONLY	---	METRIC		
	▽=0	3 PLACES ± --- ± ---	DRAWN BY	DATE	TITLE		
		2 PLACES ± --- ± ---	DB	1987/07/14	C-GRID III SINGLE ROW HORIZONTAL P.C. BOARD CONNECTOR		
	1 PLACE ± --- ± ---	1 PLACE ± --- ± ---	CHECKED BY	DATE			
	ANGULAR ± ---°		D. MORIARTY				
			APPROVED BY	DATE			
			J. DENNEHY				
		DRAFT WHERE APPLICABLE MUST REMAIN WITHIN DIMENSIONS	MATERIAL NO.	DOCUMENT NO.			
			SEE CHART	SDA-90148			
			SIZE			SHEET NO.	
			A3			2 OF 3	
			THIS DRAWING CONTAINS INFORMATION THAT IS PROPRIETARY TO MOLEX INCORPORATED AND SHOULD NOT BE USED WITHOUT WRITTEN PERMISSION				

9 8 7 6 5 4 3 2 1