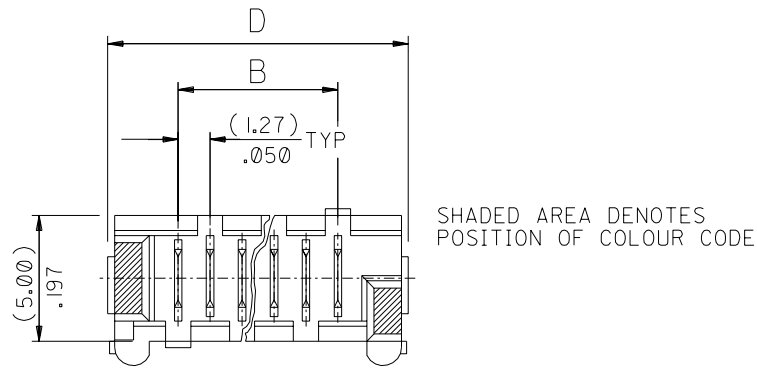
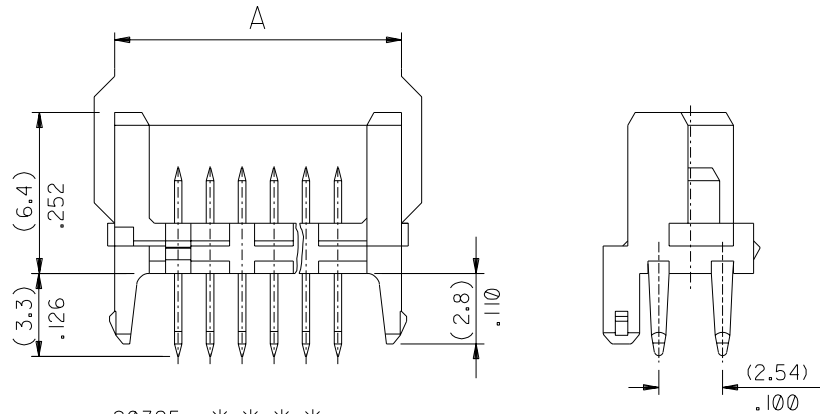


PART NO. SEE CHART  
 DWG. NO. SDA-90325



SHADED AREA DENOTES POSITION OF COLOUR CODE



90325- \* \* \* \*

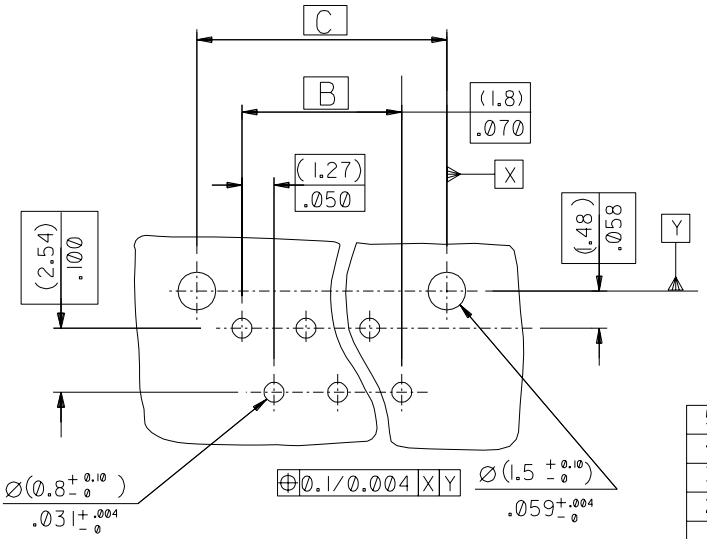
- 0= 3-5um TIN ASSY
  - 2= 0.38um GOLD ASSY
  - 3= 0.76um GOLD ASSY
  - 5= NON STANDARD VOIDED OPTION SEE SHEET 3
  - 6004-6026= THIN TAIL OPTION SEE SHEET 5
  - 6030-6052= ROUND PEG WITH KINKS OPTION SEE SHEETS 2 & 4
  - 7= 0.76um GOLD, TUBED
  - 8= 0.38um GOLD, TUBED
  - 9= 3-5um TIN ASSY TUBED
- COLOUR 0 BLACK

NOTES:

1. HOUSING MATL. POLYESTER PBT15% GLASS FILLED TO UL 94 V-0.
2. TER. MATL. BRASS (0.28)/.011 THK  
 PLATING. TIN: (1.27um)/50u" MIN NICKEL  
 UNDER (3-5um)/120-200u" TIN  
 PLATING. GOLD: (1.27um)/50u" MIN. NICKEL  
 UNDER (3-5um)/120-200u" TIN SELECTIVE  
 AND (0.38um)/15u" OR (0.76um)/30u" SELECTIVE GOLD
3. CONFORMS TO PRODUCT SPECIFICATION PS-99020-0011

90325 - **26	26	(36.80)/1.449	(31.75)/1.250	(35.35)/1.392	(37.26)/1.467	14
- **24	24	(34.26)/1.349	(29.21)/1.150	(32.81)/1.292	(34.72)/1.367	15
- **22	22	(31.72)/1.249	(26.67)/1.050	(30.27)/1.192	(32.18)/1.267	16
- **20	20	(29.18)/1.149	(24.13)/.950	(27.73)/1.092	(29.64)/1.167	18
- **18	18	(26.64)/1.049	(21.59)/.850	(25.19)/.992	(27.10)/1.067	19
- **16	16	(24.10)/.949	(19.05)/.750	(22.65)/.892	(24.56)/.967	22
- **14	14	(21.56)/.849	(16.51)/.650	(20.11)/.792	(22.02)/.867	24
- **12	12	(19.02)/.749	(13.97)/.550	(17.57)/.692	(19.48)/.767	27
- **10	10	(16.48)/.649	(11.43)/.450	(15.03)/.592	(16.94)/.667	31
- **08	8	(13.94)/.549	(8.89)/.350	(12.49)/.492	(14.40)/.567	36
- **06	6	(11.40)/.449	(6.35)/.250	(9.95)/.392	(11.86)/.467	44
90325- **04	4	(8.86)/.349	(3.81)/.150	(7.41)/.292	(9.32)/.367	57
PART NO.	NO. OF CKTS	DIM. A	DIM. B	DIM. C	DIM. D	NO. ASSYS IN TUBE

PCB LAYOUT VIEWED FROM SOLDER SIDE.  
 BOARD (1.60 ± 0.14) THK  
 .063 ± .006 THK.



5	AG
4	AG
3	AG
2	AG
1	AG
SHT	REV
REVISE ON CAD ONLY	

CHG PLATING SPECS EC NO. E2003-0567 DRAWN: JENNENY 030304 CHK: / / / / APPR: / / / /	QUALITY SYMBOLS MAJOR = CRITICAL =	GENERAL TOLERANCES: (UNLESS SPECIFIED)		SCALE 5:1	DESIGN UNITS <input type="checkbox"/> mm <input type="checkbox"/> INCH	THIRD ANGLE PROJECTION <input checked="" type="checkbox"/> mm INCH <input type="checkbox"/> mm ONLY	DIMENSIONS: <input checked="" type="checkbox"/> mm <input type="checkbox"/> INCH <input type="checkbox"/> mm ONLY										
		4 PLACES ±0. ±.	3 PLACES ±0. ±.008	2 PLACES ±0.2 ±.008	1 PLACE ±0.2 ±.	ANGULAR: ± 1/2°	DRAWN BY & DATE DMCN 01/05/29		CHECKED BY & DATE ROCONNOR 01/05/29		APPROVED BY & DATE MWILHITE 01/05/29		CAD FILENAME		MATERIAL NO. SEE CHART	DRAWING NO. SDA-90325	SHEET NO. 1 OF 5
DRAFT WHERE APPLICABLE MUST REMAIN WITHIN DIMENSIONS		THIS DRAWING CONTAINS INFORMATION THAT IS PROPRIETARY TO MOLEX INCORPORATED AND SHOULD NOT BE USED WITHOUT WRITTEN PERMISSION.															

TITLE: HEADER ASSEMBLY

MOLEX MOLEX INCORPORATED