

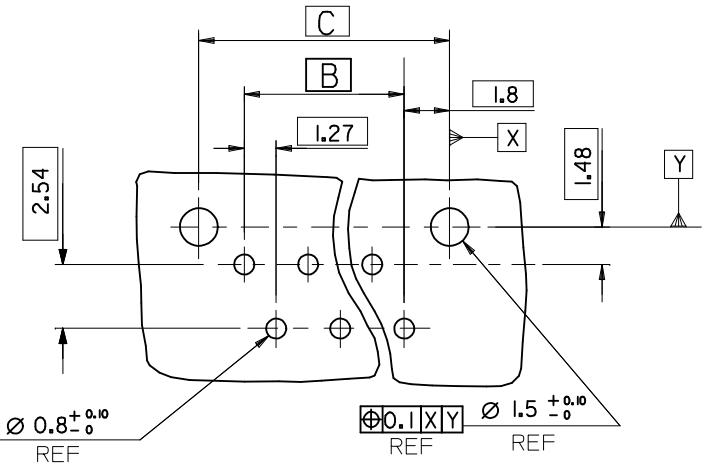
90325 - **26	26	36.80	31.75	35.35	37.26
↑ - **24	24	34.26	29.21	32.81	34.72
- **22	22	31.72	26.67	30.27	32.18
- **20	20	29.18	24.13	27.73	29.64
- **18	18	26.64	21.59	25.19	27.10
- **16	16	24.10	19.05	22.65	24.56
- **14	14	21.56	16.51	20.11	22.02
- **12	12	19.02	13.97	17.57	19.48
- **10	10	16.48	11.43	15.03	16.94
- **08	8	13.94	8.89	12.49	14.40
↓ - **06	6	11.40	6.35	9.95	11.86
90325 - **04	4	8.86	3.81	7.41	9.32
PART NO.	NO. OF CKTS	DIM. A	DIM. B	DIM. C	DIM. D

CIRCUIT No. 1 90325- * * * *

— CIRCUIT SIZE 04 CKT TO 26 CKT
 — 0 = HOUSING : COLOUR BLACK
 — 9 = HOUSING : CUSTOMER SPECIFIC (COLOUR BLACK)

- 0= 3-5um TIN ASSY
- 3= 0.6um PALLADIUM NICKEL ASSY
- 5= NON STANDARD VOIDED OPTION SEE SHEET 2 TUBED
- 6= ROUND PEG WITH KINKS OPTION SEE SHEET 3
- 7= 0.6um PALLADIUM NICKEL, TUBED
- 9= 3-5um TIN ASSY TUBED

PCB LAYOUT VIEWED FROM SOLDER SIDE.
 BOARD 1.60±0.14 THK



INSPECTION NUMBERS USED ON SHEET 1: 1-20
 LAST INSPECTION NUMBER USED: 9

NOTES:

1. HOUSING MATL. POLYESTER PBT 15% GLASS FILLED TO UL94V-0.
2. TER. MATL. BRASS 0.28 THK
 PLATING. TIN: 1.27um MIN NICKEL
 UNDER 3-5um TIN
 PLATING PALLADIUM NICKEL (PdNi): 1.27um MIN. NICKEL
 UNDER 3-5um SELECTIVE TIN AND
 0.6um PdNi UNDER 0.05um GOLD FLASH
3. CONFORMS TO PRODUCT SPECIFICATION PS-99020-0011
4. PACKAGING SPECIFICATION: PK-90325-001

REMOVED GOLD OPTION ADDED NOTE 4 EC NO: IPG2012-0576 DRW:DBYRNES 2011/10/27 CHKD:SMCGREEVY 2012/03/29 APPR:EFOLAN 2012/07/17 AR	QUALITY SYMBOLS	DESCRIPTION
	▽=0	
	◻=0	
	REV	

GENERAL TOLERANCES (UNLESS SPECIFIED)	mm	INCH
	4 PLACES ± ---	± ---
	3 PLACES ± ---	± ---
	2 PLACES ± 0.20	± ---
	1 PLACE ± 0.20	± ---
ANGULAR ± 1/2°		
DRAFT WHERE APPLICABLE MUST REMAIN WITHIN DIMENSIONS		

DIMENSION STYLE MM ONLY	
DRAWN BY DMCN	DATE 2001/05/29
CHECKED BY ROCONNOR	DATE 2001/05/29
APPROVED BY MWILHITE	DATE 2001/05/29
MATERIAL NO. SEE CHART	

SCALE 5:1	DESIGN UNITS METRIC	THIRD ANGLE PROJECTION
TITLE HEADER ASSEMBLY		
MOLEX INCORPORATED		SHEET NO. 1 OF 3
DOCUMENT NO. SDA-90325		
THIS DRAWING CONTAINS INFORMATION THAT IS PROPRIETARY TO MOLEX INCORPORATED AND SHOULD NOT BE USED WITHOUT WRITTEN PERMISSION		