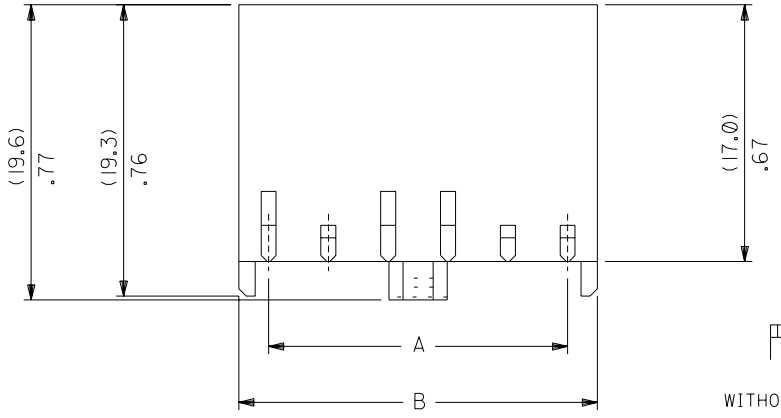


PART NO. SEE CHART  
 DWG. NO. SD-90331-001

PART NO.	KEYING RECD. AT CIRCUIT POSITIONS						DIM. A	DIM. B	MIDDLE LOCKING PEG	CKT. SIZE
	1	2	3	4	5	6				
90331-**01	YES	YES	YES	YES	YES	YES	19.81±0.13	23.67±0.13	YES	6
90331-**02	YES	NO	NO	NO	NO	NO	19.81±0.13	23.67±0.13	YES	6
90331-**03	NO	NO	NO	YES	NO	NO	19.81±0.13	23.67±0.13	YES	6
90331-**04	YES	NO	YES	YES	NO	NO	19.81±0.13	23.67±0.13	YES	6
90331-**05	YES	YES	—	—	—	—	3.96±0.10	7.82±0.10	NO	2
90331-**06	NO	NO	NO	NO	NO	NO	19.81±0.13	23.67±0.13	NO	6
90331-**07	NO	YES	NO	NO	NO	NO	19.81±0.13	23.67±0.13	YES	6
90331-**08	NO	NO	YES	NO	NO	NO	19.81±0.13	23.67±0.13	YES	6
90331-**09	NO	NO	NO	NO	YES	NO	19.81±0.13	23.67±0.13	YES	6
90331-**10	NO	NO	NO	NO	NO	YES	19.81±0.13	23.67±0.13	YES	6

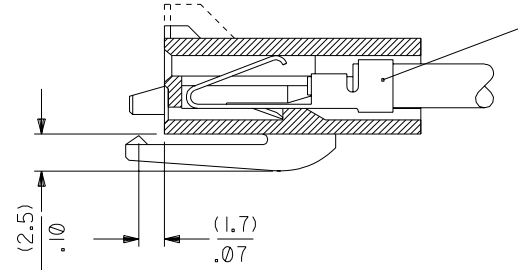
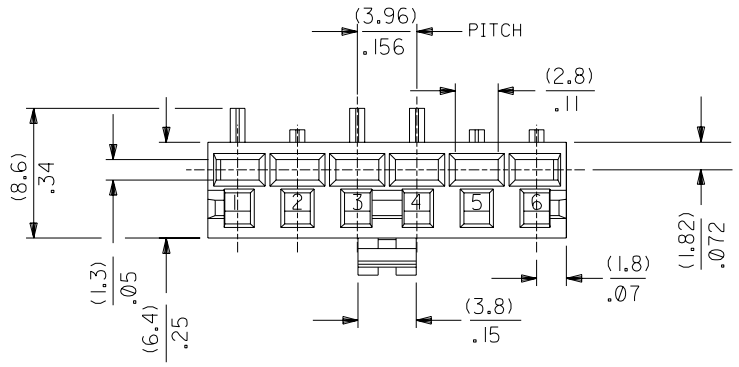


**LEGEND :**

90331- \* \* 0 \*

COLOUR — 0=NATURAL  
 1=BLACK (AVAILABLE IN NYLON ONLY)

MATERIAL — 0=POLYESTER 94 V0-NATURAL(WHITE)  
 1=NYLON 6/6 UL 94 V0-NATURAL(WHITE) OR BLACK  
 4=NYLON 6/6 UL 94 V2-NATURAL OR BLACK



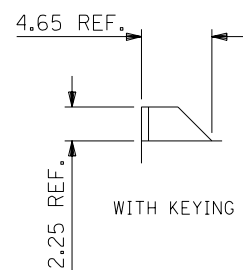
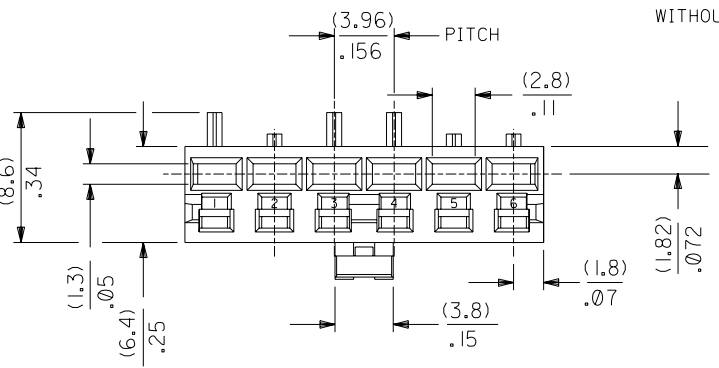
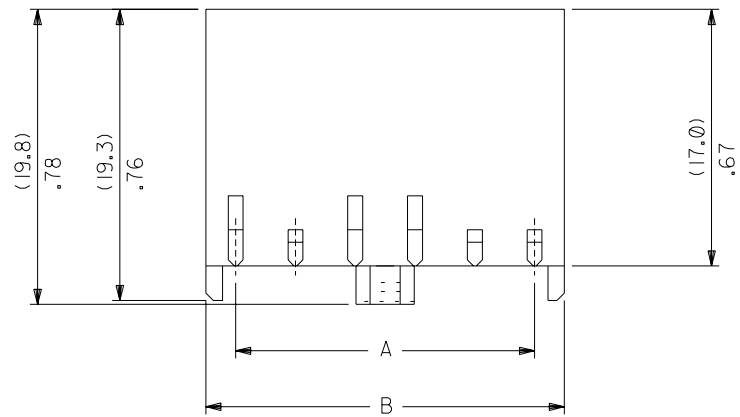
PART NO. 08-50-0277  
 MATERIAL: PRE-TIN BRASS  
 PLATING TO P902 CODE PER ES-88  
 SPECIFICATION.

**NOTES :**

- HOUSING MATERIAL: SEE LEGEND. NYLON OPTIONS ARE FOR TAIWAN PRODUCTION ONLY.
- FOR USE WITH 8993 SERIES TERMINAL.
- KEY IS OPTIONAL. PLS SEE TABLE FOR P/N.
- FOR ILLUSTRATION PURPOSE, 90331-004 IS SHOWN
- PRODUCT SPECIFICATION: PS-90331

CHANGED PLATING CODES EC NO. E2004-0036 DRWN: PSHEAHAN 03/07/14 CHK: APPR:	QUALITY SYMBOLS MAJOR $\blacktriangledown$ = 0 CRITICAL $\blacktriangledown$ = 0	GENERAL TOLERANCES: (UNLESS SPECIFIED)	SCALE 3:1 DESIGN UNITS <input checked="" type="checkbox"/> mm <input type="checkbox"/> INCH	THIRD ANGLE PROJECTION	DIMENSIONS: <input checked="" type="checkbox"/> mm <input type="checkbox"/> INCH <input type="checkbox"/> mm ONLY	SHT 2 REV V
	DRAWN BY & DATE CD 9/12/18	CHECKED BY & DATE	APPROVED BY & DATE	TITLE: HOUSING 3.96 PITCH CORING OPTION 1 FOR USE W/ 8993 TERMINAL	MOLEX INCORPORATED	SHEET NO. IOF2
	CAD FILENAME S90331EX1.DGN	MATERIAL NO. SEE CHART	DRAWING NO. SD-90331-001	THIS DRAWING CONTAINS INFORMATION THAT IS PROPRIETARY TO MOLEX INCORPORATED AND SHOULD NOT BE USED WITHOUT WRITTEN PERMISSION.		
	DRAFT WHERE APPLICABLE MUST REMAIN WITHIN DIMENSIONS	THIS DRAWING CONTAINS INFORMATION THAT IS PROPRIETARY TO MOLEX INCORPORATED AND SHOULD NOT BE USED WITHOUT WRITTEN PERMISSION.				

PART NO. SEE CHART  
 DWG. NO. SD-90331-001



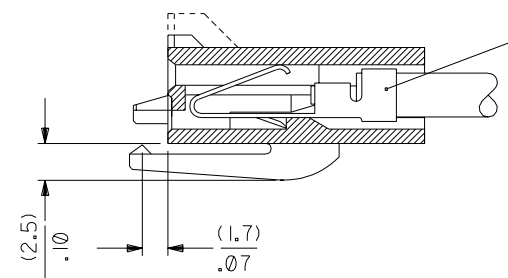
PART NO.	KEYING REQD. AT CIRCUIT POSITIONS						DIM. A	DIM. B	MIDDLE LOCKING PEG	CKT. SIZE
	1	2	3	4	5	6				
90331-**01	YES	YES	YES	YES	YES	YES	19.81±0.13	23.67±0.13	YES	6
90331-**02	YES	NO	NO	NO	NO	NO	19.81±0.13	23.67±0.13	YES	6
90331-**03	NO	NO	NO	YES	NO	NO	19.81±0.13	23.67±0.13	YES	6
90331-**04	YES	NO	YES	YES	NO	NO	19.81±0.13	23.67±0.13	YES	6
90331-**05	YES	YES	—	—	—	—	3.96±0.10	7.82±0.10	NO	2
90331-**06	NO	NO	NO	NO	NO	NO	19.81±0.13	23.67±0.13	NO	6
90331-**07	NO	YES	NO	NO	NO	NO	19.81±0.13	23.67±0.13	YES	6
90331-**08	NO	NO	YES	NO	NO	NO	19.81±0.13	23.67±0.13	YES	6
90331-**09	NO	NO	NO	NO	YES	NO	19.81±0.13	23.67±0.13	YES	6
90331-**10	NO	NO	NO	NO	NO	YES	19.81±0.13	23.67±0.13	YES	6

**LEGEND :**

90331- \* \* 0 \*

COLOUR — 0=NATURAL  
 1=BLACK (AVAILABLE IN NYLON ONLY)

MATERIAL— 0=POLYESTER 94 V0-NATURAL(WHITE)  
 1=NYLON 6/6 UL 94 V0-NATURAL(WHITE) OR BLACK  
 4=NYLON 6/6 UL 94 V2-NATURAL OR BLACK



PART NO. 08-50-0277  
 MATERIAL: PRE-TIN BRASS  
 PLATING TO P902 CODE PER ES-88 SPECIFICATION.

- NOTES :**
- HOUSING MATERIAL: SEE LEGEND. NYLON OPTIONS ARE FOR TAIWAN PRODUCTION ONLY.
  - FOR USE WITH 8993 SERIES TERMINAL.
  - KEY IS OPTIONAL. PLS SEE TABLE FOR P/N.
  - FOR ILLUSTRATION PURPOSE, 90331-\*\*04 IS SHOWN
  - PRODUCT SPECIFICATION: PS-90331

CHANGED PLATING CODES EC NO. E2004-0036 DRWN: PSHEAHAN 03/07/14 CHK: / / / APPR: / / /	QUALITY SYMBOLS MAJOR $\blacktriangledown = 0$ CRITICAL $\blacktriangledown = 0$	GENERAL TOLERANCES: (UNLESS SPECIFIED)		SCALE	DESIGN UNITS <input checked="" type="checkbox"/> mm <input type="checkbox"/> INCH	THIRD ANGLE PROJECTION <input checked="" type="checkbox"/> mm <input type="checkbox"/> INCH	DIMENSIONS: <input checked="" type="checkbox"/> mm <input type="checkbox"/> INCH	SHT	REV
		4 PLACES ±0. ±.	3 PLACES ±0. ±.005	2 PLACES ±0.13 ±.010	1 PLACE ±0.25 ±.	ANGULAR: ± °	DRAWN BY & DATE FM 94/02/21	CHECKED BY & DATE	APPROVED BY & DATE
REV	DESCRIPTION	DRAFT WHERE APPLICABLE MUST REMAIN WITHIN DIMENSIONS		CAD FILENAME S90331EX2.DGN	MATERIAL NO. SEE CHART	DRAWING NO. SD-90331-001	SHEET NO. 2 OF 2	MOLEX INCORPORATED	
				THIS DRAWING CONTAINS INFORMATION THAT IS PROPRIETARY TO MOLEX INCORPORATED AND SHOULD NOT BE USED WITHOUT WRITTEN PERMISSION.					