

**PLEASE CHECK WWW.MOLEX.COM FOR LATEST PART INFORMATION**

**Part Number:** [0903310001](#)  
**Status:** **Obsolete**  
**Description:** 3.96mm (.156") Pitch Industry Standard Power Supply Housing for Crimp Terminals, 6 Circuits, Keying to the Mating Part: Required at Circuits 1, 2, 3, 4, 5, 6, Polyester Natural

**Documents:**  
[Drawing \(PDF\)](#)

**Agency Certification**

CSA	LR19980
UL	E29179

**General**

Product Family	Crimp Housings
Series	<a href="#">90331</a>
Application	Signal
Product Name	N/A

**Physical**

Breakaway	No
Circuits (maximum)	6
Color - Resin	Natural
Flammability	94V-0
Gender	Female
Glow-Wire Compliant	No
Keying to Mating Part	Yes
Lock to Mating Part	Yes
Material - Resin	Polyester
Number of Rows	1
Packaging Type	Bag
Panel Mount	No
Pitch - Mating Interface	3.96mm (.156")
Pitch - Termination Interface	3.96mm (.156")
Temperature Range - Operating	-40°C to +85°C

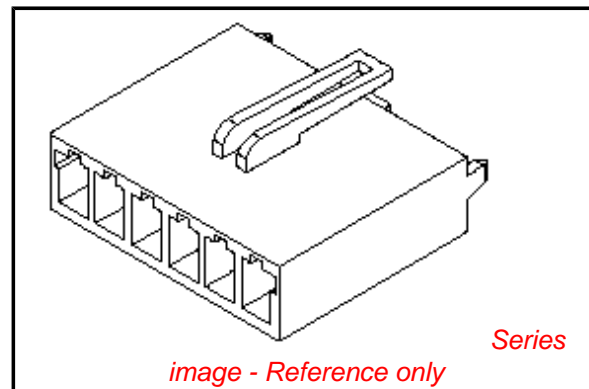
**Electrical**

Current - Maximum per Contact	4A
-------------------------------	----

**Material Info**

**Reference - Drawing Numbers**

Product Specification	RPS-90331-001
Sales Drawing	SD-90331, SD-90331-001



**EU RoHS**

**ELV and RoHS Compliant**  
**REACH SVHC Contains SVHC: No**  
**Low-Halogen Status Not Low-Halogen**

**China RoHS**



**Need more information on product environmental compliance?**

Email [productcompliance@molex.com](mailto:productcompliance@molex.com)  
 For a multiple part number RoHS Certificate of Compliance, [click here](#)

Please visit the [Contact Us](#) section for any non-product compliance questions.

**Search Parts in this Series**

90331Series

**Mates With**

8619

**Use With**

8993