

## FEATURES AND SPECIFICATIONS

### Features and Benefits

- Sizes 4 to 20 circuits
- For 0.20 ± 0.10mm thick FFC/FPC
- Zero insertion force (ZIF)
- Dual beam contact
- Audible click when cover closed

### Reference Information

Product Specification: PS-90500E  
 Packaging: Tube  
 UL File No.: E29179  
 Designed In: Millimeters

### Electrical

Voltage: 250V DC  
 Current: 1.0A max. per circuit  
 Contact Resistance: 30mΩ max.  
 Dielectric Withstanding Voltage: 1000V AC  
 Insulation Resistance: 5000 MΩ min.

### Mechanical

Contact Retention to Housing: 300g min.  
 Unmating Force: 35g min.

### Physical

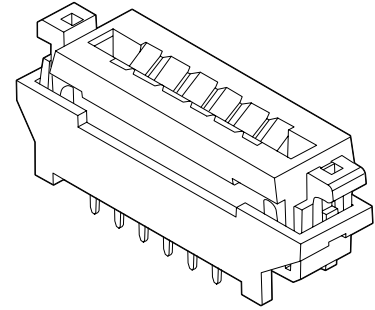
Housing: Black glass-filled polyester, UL 94V-0  
 Contact: Phosphor Bronze  
 Plating: Tin  
 Operating Temperature: -40 to +85°C



# 2.54mm (.100") Pitch Flex Circuit-to-Board FFC/FPC Connector

## 90500

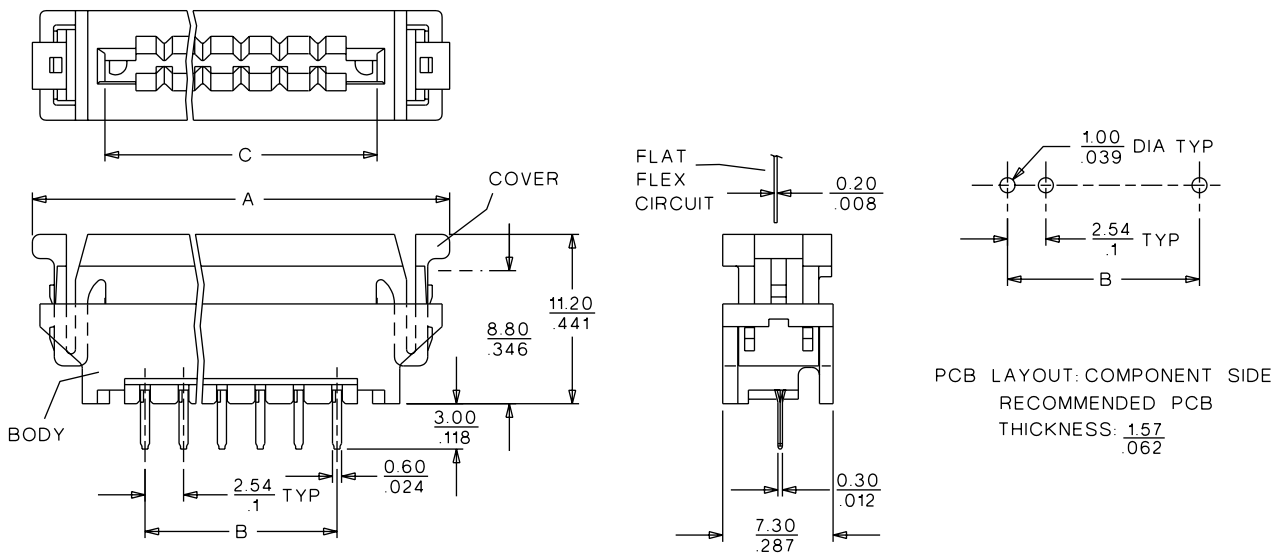
### Vertical, ZIF



FFC/FPC Connectors



## CATALOG DRAWING (FOR REFERENCE ONLY)



## ORDERING INFORMATION AND DIMENSIONS

Circuits	Order No.	Dimension		
		A	B	C
4	90500-3004	22.52 (.887)	7.62 (.300)	12.92 (.509)
5	90500-3005	25.06 (.987)	10.16 (.400)	15.46 (.609)
6	90500-3006	27.60 (1.087)	12.70 (.500)	18.00 (.709)
7	90500-3007	30.14 (1.187)	15.24 (.600)	20.54 (.809)
8	90500-3008	32.68 (1.287)	17.78 (.700)	23.08 (.909)
9	90500-3009	35.22 (1.387)	20.32 (.800)	25.62 (1.009)
10	90500-3010	37.76 (1.487)	22.86 (.900)	28.16 (1.109)
11	90500-3011	40.30 (1.587)	25.40 (1.000)	30.70 (1.209)
12	90500-3012	42.84 (1.687)	27.94 (1.100)	33.24 (1.309)
13	90500-3013	45.38 (1.787)	30.48 (1.200)	35.78 (1.409)
14	90500-3014	47.92 (1.887)	33.02 (1.300)	38.32 (1.509)
15	90500-3015	50.46 (1.987)	35.56 (1.400)	40.86 (1.609)
16	90500-3016	53.00 (2.087)	38.10 (1.500)	43.40 (1.709)
17	90500-3017	55.54 (2.187)	40.64 (1.600)	45.94 (1.809)
18	90500-3018	58.08 (2.287)	43.18 (1.700)	48.48 (1.909)
19	90500-3019	60.62 (2.387)	45.72 (1.800)	51.02 (2.009)
20	90500-3020	63.16 (2.487)	48.26 (1.900)	53.56 (2.109)

Note: Available with kinked tails, contact Molex