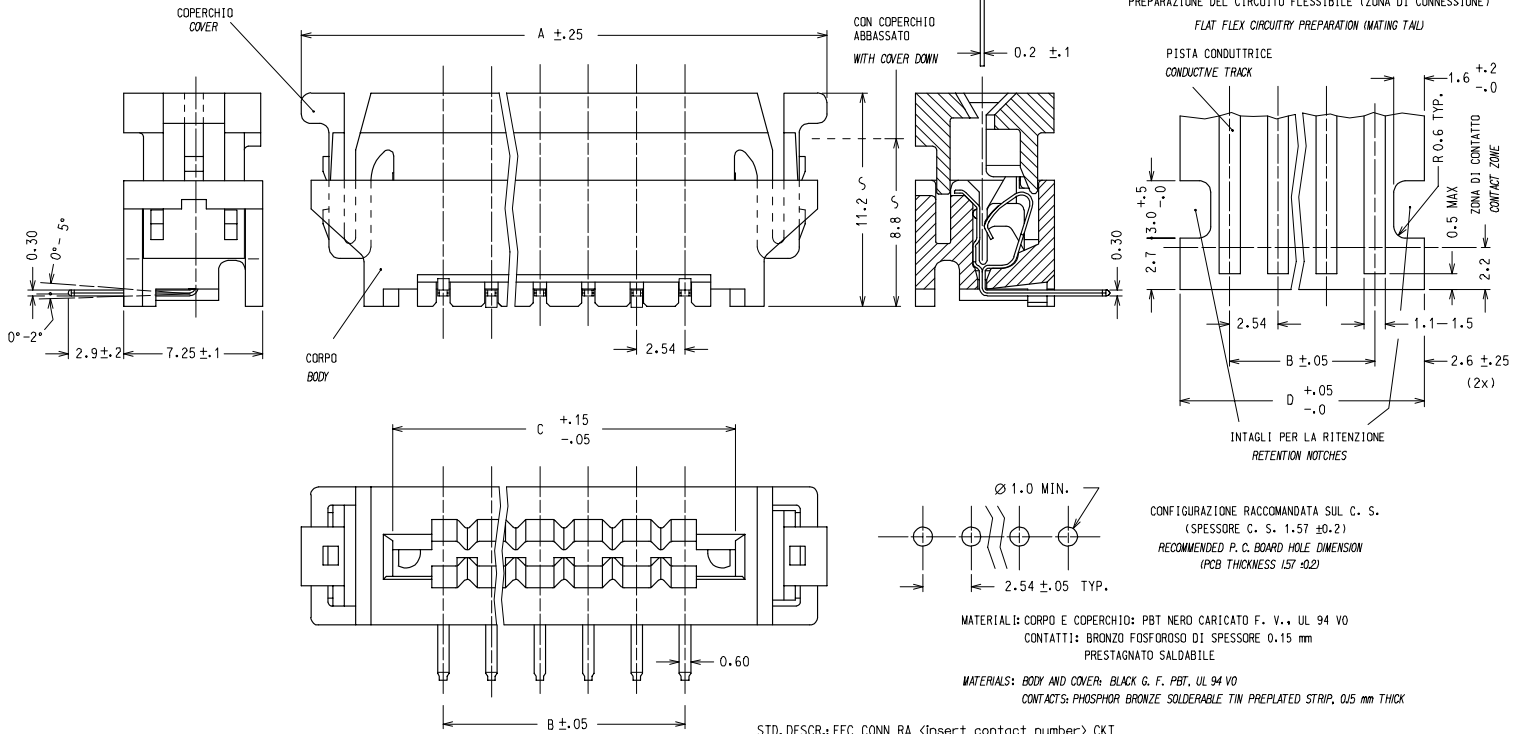


10 9 8 7 6 5 4 3 2 1

COPERCHIO ALZATO: I CONTATTI SONO APERTI PER UN AGEVOLE INSERIMENTO DEL CIRCUITO FLESSIBILE
 COVER UP: CONTACTS ARE OPEN FOR AN EASY INSERTION OF THE FLEX CIRCUITRY
 COPERCHIO ABBASSATO: I CONTATTI SONO PREMITI CONTRO LE PISTE
 COVER DOWN: CONTACTS ARE CLOSED ON THE TRACKS

CIRCUITO FLESSIBILE (SPESSORE TIPICO)
 FLEX CIRCUITRY (TYPICAL THICKNESS)

PREPARAZIONE DEL CIRCUITO FLESSIBILE (ZONA DI CONNESSIONE)
 FLAT FLEX CIRCUITRY PREPARATION (MATING TAIL)



NOTE: 1) IL PRODOTTO VIENE FORNITO IN TUBI (VEDI FOGLIO 2/2)
 2) CARATTERISTICHE TECNICHE E FUNZIONALI COME DA PS 90500.
 Δ LUNGHEZZA MINIMA DI ESPOSIZIONE DELLE PISTE

NOTE: 1) PRODUCT WILL BE SUPPLIED PACKAGED IN A TUBE (SEE SHEET 2/2)
 2) TECHNICAL CHARACTERISTICS AS INDICATED IN PS90500.
 Δ MINIMUM EXPOSED LENGTH OF TRACKS

| | | |
|---------------------|-------------|-----------------|
| EC NO. Z2005-0177 | 2005/05/19 | QUALITY SYMBOLS |
| DRAWN: SBARBIERI | 2005/05/20 | ▽=0 |
| CHECKED: RACMANDANO | 2005/05/20 | ▽=0 |
| APPROVED: FBI SELLO | 2005/05/20 | |
| REV | DESCRIPTION | |
| C1 | | |

| GENERAL TOLERANCES (UNLESS SPECIFIED) | |
|--|--------------|
| | mm INCH |
| 4 PLACES | ± --- ± --- |
| 3 PLACES | ± --- ± --- |
| 2 PLACES | ± 0.05 ± --- |
| 1 PLACE | ± 0.10 ± --- |
| ANGULAR ± 2 ° | |
| DRAFT WHERE APPLICABLE MUST REMAIN WITHIN DIMENSIONS | |

| DIMENSION STYLE | |
|-----------------|------------|
| MM ONLY | |
| DRAWN BY | DATE |
| SBARBIERI | 1993/09/09 |
| CHECKED BY | DATE |
| APPROVED BY | DATE |
| MPREVIATO | 1993/09/09 |
| MATERIAL NO. | SEE SHT 2 |
| SIZE | A3 |

| | | | | |
|---|-----|--------------|--------|------------------------|
| SCALE | 5:1 | DESIGN UNITS | METRIC | FIRST ANGLE PROJECTION |
| FFC CONNECTOR RIGHT ANGLE VERSION | | | | |
| MOLEX INCORPORATED | | | | SHEET NO. 1 OF 2 |
| DOCUMENT NO. SD-90500-006 | | | | |
| THIS DRAWING CONTAINS INFORMATION THAT IS PROPRIETARY TO MOLEX INCORPORATED AND SHOULD NOT BE USED WITHOUT WRITTEN PERMISSION | | | | |

9 8 7 6 5 4 3 2 1

10 9 8 7 6 5 4 3 2 1

| N° . DI CODICE PART. NO. | ATTREZZAGGIO TOOLING | N° . VIE CCT NO. | DIM "A" | DIM "B" | DIM "C" | DIM "D" | N° . CONN./TUBO CONN. NO./TUBE | N° . CONN./SCATOLA CONN. NO./BOX (SPQ) |
|-----------------------------|------------------------------|---------------------|---------|---------|---------|---------|-----------------------------------|---|
| 90500-4002 | NON ATTREZZATO NOT TOOLED | 2 | | | | | | |
| 90500-4003 | " | 3 | | | | | | |
| 90500-4004 | ATTREZZATO TOOLED | 4 | 22.52 | 7.62 | 12.92 | 12.82 | 24 | 3456 |
| 90500-4005 | " | 5 | 25.06 | 10.16 | 15.46 | 15.36 | 21 | 3024 |
| 90500-4006 | " | 6 | 27.60 | 12.70 | 18.00 | 17.90 | 19 | 2736 |
| 90500-4007 | " | 7 | 30.14 | 15.24 | 20.54 | 20.44 | 17 | 2448 |
| 90500-4008 | " | 8 | 32.68 | 17.78 | 23.08 | 22.98 | 16 | 2304 |
| 90500-4009 | " | 9 | 35.22 | 20.32 | 25.62 | 25.52 | 15 | 2160 |
| 90500-4010 | " | 10 | 37.76 | 22.86 | 28.16 | 28.06 | 14 | 2016 |
| 90500-4011 | " | 11 | 40.30 | 25.40 | 30.70 | 30.60 | 13 | 1872 |
| 90500-4012 | " | 12 | 42.84 | 27.94 | 33.24 | 33.14 | 12 | 1728 |
| 90500-4013 | " | 13 | 45.38 | 30.48 | 35.78 | 35.68 | 11 | 1584 |
| 90500-4014 | " | 14 | 47.92 | 33.02 | 38.32 | 38.22 | 11 | 1584 |
| 90500-4015 | " | 15 | 50.46 | 35.56 | 40.86 | 40.76 | 10 | 1440 |
| 90500-4016 | " | 16 | 53.00 | 38.10 | 43.40 | 43.30 | 10 | 1440 |
| 90500-4017 | " | 17 | 55.54 | 40.64 | 45.94 | 45.84 | 9 | 1296 |
| 90500-4018 | " | 18 | 58.08 | 43.18 | 48.48 | 48.38 | 9 | 1296 |
| 90500-4019 | " | 19 | 60.62 | 45.72 | 51.02 | 50.92 | 8 | 1152 |
| 90500-4020 | " | 20 | 63.16 | 48.26 | 53.56 | 53.46 | 8 | 1152 |

| IEC NO. Z2005-0177 DRAWN: SBARBIER 2005/05/19 CHECKED: RASCIANO 2005/05/20 APPROVED: FBI SELLO 2005/05/20 DESCRIPTION REV | QUALITY SYMBOLS | GENERAL TOLERANCES (UNLESS SPECIFIED) | DIMENSION STYLE MM ONLY | SCALE 5:1 | DESIGN UNITS METRIC | FIRST ANGLE PROJECTION | | | | | | | | | | | | | | | | | | | | | | | | | | | | | | |
|--|--|---|----------------------------|---|---|------------------------|---------------------|-------|----------|-------|-------|----------|--------|-------|---------|--------|-------|---------------|--|--|---|----------|------|------------|------------|------------|------|--|--|-------------|------|-----------|------------|-------|--|--|
| | $\nabla=0$ $\nabla=0$ | <table border="1"> <tr><th></th><th>mm</th><th>INCH</th></tr> <tr><td>4 PLACES</td><td>± ---</td><td>± ---</td></tr> <tr><td>3 PLACES</td><td>± ---</td><td>± ---</td></tr> <tr><td>2 PLACES</td><td>± 0.05</td><td>± ---</td></tr> <tr><td>1 PLACE</td><td>± 0.10</td><td>± ---</td></tr> <tr><td colspan="3">ANGULAR ± 2 °</td></tr> </table> | | mm | INCH | 4 PLACES | ± --- | ± --- | 3 PLACES | ± --- | ± --- | 2 PLACES | ± 0.05 | ± --- | 1 PLACE | ± 0.10 | ± --- | ANGULAR ± 2 ° | | | <table border="1"> <tr><td>DRAWN BY</td><td>DATE</td></tr> <tr><td>SBARBIER I</td><td>1993/09/09</td></tr> <tr><td>CHECKED BY</td><td>DATE</td></tr> <tr><td></td><td></td></tr> <tr><td>APPROVED BY</td><td>DATE</td></tr> <tr><td>MPREVIATO</td><td>1993/09/09</td></tr> </table> | DRAWN BY | DATE | SBARBIER I | 1993/09/09 | CHECKED BY | DATE | | | APPROVED BY | DATE | MPREVIATO | 1993/09/09 | TITLE | | |
| | | mm | INCH | | | | | | | | | | | | | | | | | | | | | | | | | | | | | | | | | |
| | 4 PLACES | ± --- | ± --- | | | | | | | | | | | | | | | | | | | | | | | | | | | | | | | | | |
| 3 PLACES | ± --- | ± --- | | | | | | | | | | | | | | | | | | | | | | | | | | | | | | | | | | |
| 2 PLACES | ± 0.05 | ± --- | | | | | | | | | | | | | | | | | | | | | | | | | | | | | | | | | | |
| 1 PLACE | ± 0.10 | ± --- | | | | | | | | | | | | | | | | | | | | | | | | | | | | | | | | | | |
| ANGULAR ± 2 ° | | | | | | | | | | | | | | | | | | | | | | | | | | | | | | | | | | | | |
| DRAWN BY | DATE | | | | | | | | | | | | | | | | | | | | | | | | | | | | | | | | | | | |
| SBARBIER I | 1993/09/09 | | | | | | | | | | | | | | | | | | | | | | | | | | | | | | | | | | | |
| CHECKED BY | DATE | | | | | | | | | | | | | | | | | | | | | | | | | | | | | | | | | | | |
| | | | | | | | | | | | | | | | | | | | | | | | | | | | | | | | | | | | | |
| APPROVED BY | DATE | | | | | | | | | | | | | | | | | | | | | | | | | | | | | | | | | | | |
| MPREVIATO | 1993/09/09 | | | | | | | | | | | | | | | | | | | | | | | | | | | | | | | | | | | |
| | DRAFT WHERE APPLICABLE MUST REMAIN WITHIN DIMENSIONS | SEE TABLE | MATERIAL NO. | DOCUMENT NO. | FFC CONNECTOR RIGHT ANGLE VERSION MOLEX INCORPORATED SD-90500-006 | | | | | | | | | | | | | | | | | | | | | | | | | | | | | | | |
| | | | SIZE A3 | THIS DRAWING CONTAINS INFORMATION THAT IS PROPRIETARY TO MOLEX INCORPORATED AND SHOULD NOT BE USED WITHOUT WRITTEN PERMISSION | | | SHEET NO. 2 OF 2 | | | | | | | | | | | | | | | | | | | | | | | | | | | | | |

fb_frame_A3_P_ME_F
Rev. D 2004/04/02

9 8 7 6 5 4 3 2 1