

- NOTES:
- MATERIAL: HOUSING: NYLON 4/6 30% G.F., UL 94 V-0, NATURAL (BEIGE)
TERMINAL- CARTRIDGE BRASS (0.28)/.011 REF THICK
 - PLATING:
TIN: TIN (3-5UM)/120uin-200uin OVER (1.27um)/51uin MIN NICKEL.
GOLD: (0.76UM)/30UIN SELECTIVE GOLD AND (0.10-0.20UM)/4UIN-8UIN GOLD FLASH OVER (1.27UM)/50UIN NICKEL UNDERCOAT
 - MATES WITH MOLEX 90327 PART SERIES
 - ALL SMT TAILS TO LIE WITHIN A COPLANARITY BAND OF (0.0)/.0 - (0.15)/.006 REF. FROM EACH OTHER.
 - FOR TAPE & REEL PACKAGING DETAILS SEE SDA-90814-9001
 - PCB PEGS ARE OPTIONAL
 - PCB LAYOUT SHOWN ON SHEET 2

90814 - **

CIRCUIT SIZE

	PCB PEGS	TUBE PACKED	TAPE & REEL PACKED	POLARIZING PEG HEIGHT DIMM. E
0	YES	YES	NO	(6.40)/ .252
2	YES	NO	YES	(6.40)/ .252
3	NO	YES	NO	(6.40)/ .252
5	NO	NO	YES	(6.40)/ .252
6	NO	YES	NO	(4.10)/ .161
7	NO	NO	YES	(4.10)/ .161
8	YES	YES	NO	(4.10)/ .161
9	YES	NO	YES	(4.10)/ .161

0= (3-5UM)/120-200UIN TIN VERSION
3= (0.76UM)/30UIN GOLD VERSION

90814-**-34	34	(46.96)/1.849	(41.91)/1.650	(45.76)/1.802	10	NO
90814-**-26	26	(36.80)/1.449	(31.75)/1.250	(35.60)/1.402	14	YES
90814-**-24	24	(34.26)/1.349	(29.21)/1.150	(33.06)/1.302	15	YES
90814-**-22	22	(31.72)/1.249	(26.67)/1.050	(30.52)/1.202	16	YES
90814-**-20	20	(29.18)/1.149	(24.13)/ .950	(27.98)/1.102	18	YES
90814-**-18	18	(26.64)/1.049	(21.59)/ .850	(25.44)/1.002	20	YES
90814-**-16	16	(24.10)/ .949	(19.05)/ .750	(22.90)/ .902	22	YES
90814-**-14	14	(21.56)/ .849	(16.51)/ .650	(20.36)/ .802	25	YES
90814-**-12	12	(19.02)/ .749	(13.97)/ .550	(17.82)/ .702	28	YES
90814-**-10	10	(16.48)/ .649	(11.43)/ .450	(15.28)/ .602	32	YES
90814-**-08	8	(13.94)/ .549	(8.89)/ .350	(12.74)/ .502	38	YES
90814-**-06	6	(11.40)/ .449	(6.35)/ .250	(10.20)/ .402	46	YES
90814-**-04	4	(8.86)/ .349	(3.81)/ .150	(7.66)/ .302	60	YES
PART NO.	NUMBER OF CKTS	DIMM. A	DIMM. B	DIMM. C	QUANTITY OF PARTS PER TUBE (-*0**/*-3**/*-6** & -*8** VERSIONS)	TOOLED

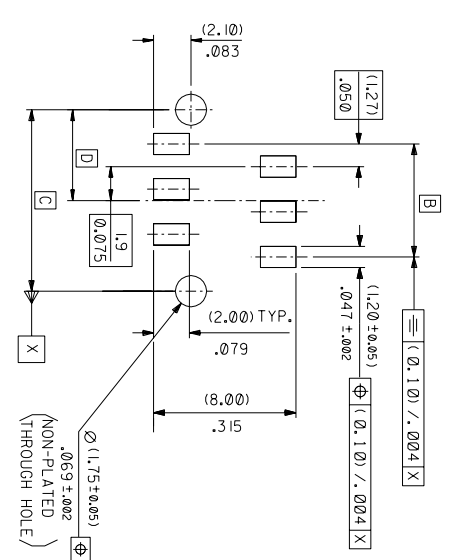
EDIT TUBE QUANTITY
EC NO: E2006-0091
DRAWN: GMSWEN 2005/08/17
CHKD: IDEMEHY 2005/08/17
APPR: IDEMEHY 2005/08/17
REV DESCRIPTION

QUALITY SYMBOLS
=0
=0
GENERAL TOLERANCES (UNLESS SPECIFIED)
mm INCH
4 PLACES ± --- ± ---
3 PLACES ± --- ± .004
2 PLACES ± 0.10 ± ---
1 PLACE ± --- ± ---
ANGULAR ±1/2°
DRAFT WHERE APPLICABLE MUST REMAIN WITHIN DIMENSIONS

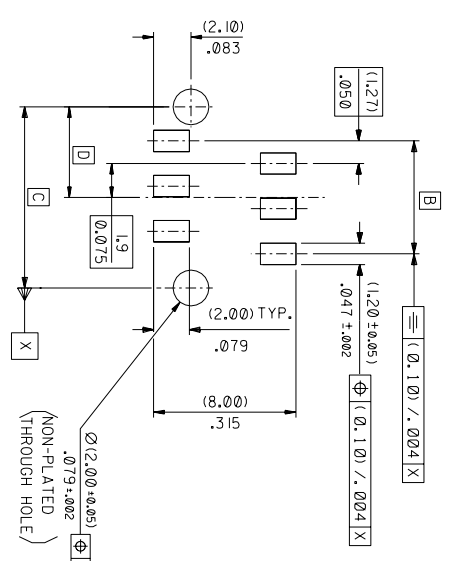
DIMENSION STYLE
MM/IN
DRAWN BY DATE
DMCNAMAR 2001/08/16
CHECKED BY DATE
PCURT IN 2001/08/16
APPROVED BY DATE
MWILHITE 2001/08/16
MATERIAL NO.
DOCUMENT NO.
SDA-90814

SCALE 5:1
DESIGN UNITS METRIC
THIRD ANGLE PROJECTION
PICOFLEX SMT HEADER
MOLEX INCORPORATED
SHEET NO. 1 OF 2
THIS DRAWING CONTAINS INFORMATION THAT IS PROPRIETARY TO MOLEX INCORPORATED AND SHOULD NOT BE USED WITHOUT WRITTEN PERMISSION

PART NO. SEE CHART
 DWG NO. SDA-90814E



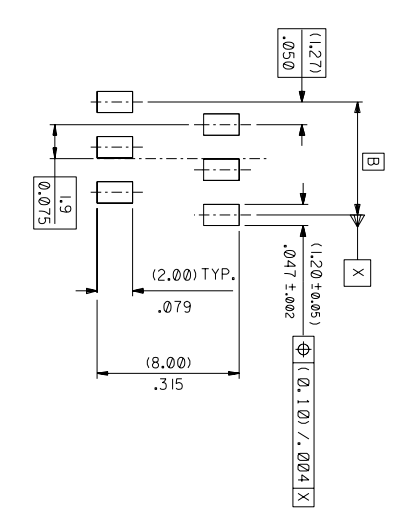
PCB THICKNESS = (1.60±0.14) .063±.006



PCB THICKNESS = (1.60±0.14) .063±.006

PCB LAYOUT FOR TRANSITION FIT WITH PCB PEGS
 HEADER VERSIONS 90814-0**/-2**/-8**/-9**,
 VIEWED FROM COMPONENT SIDE

PCB LAYOUT FOR CLEARANCE FIT WITH PCB PEGS
 HEADER VERSIONS 90814-0**/-2**/-8**/-9**,
 VIEWED FROM COMPONENT SIDE



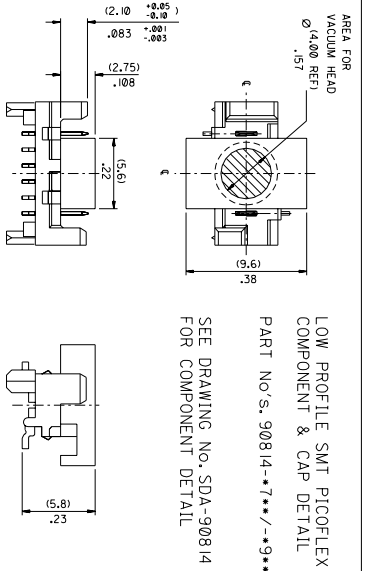
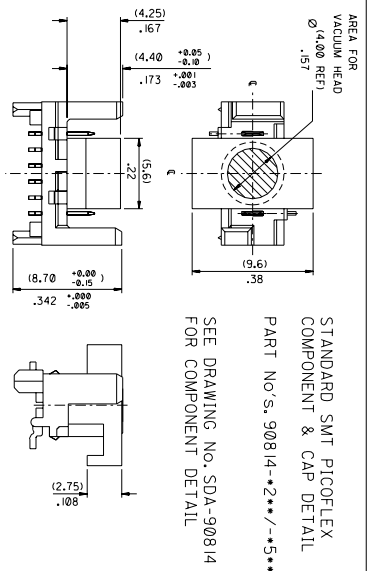
90814-***34	34	(41.91)/.1650	(45.76)/.1802	(22.88)/. .901	
90814-***26	26	(31.75)/.1250	(35.50)/.1402	(17.80)/. .701	
90814-***24	24	(29.21)/.1150	(33.06)/.1302	(16.53)/. .651	
90814-***22	22	(26.67)/.1050	(30.52)/.1202	(15.26)/. .601	
90814-***20	20	(24.13)/. .950	(27.98)/.1102	(13.99)/. .551	
90814-***18	18	(21.59)/. .850	(25.44)/.1002	(12.72)/. .501	
90814-***16	16	(19.05)/. .750	(22.90)/. .902	(11.45)/. .451	
90814-***14	14	(16.51)/. .650	(20.36)/. .802	(10.18)/. .401	
90814-***12	12	(13.97)/. .550	(17.82)/. .702	(8.91)/. .351	
90814-***10	10	(11.43)/. .450	(15.28)/. .602	(7.64)/. .301	
90814-***08	8	(8.89)/. .350	(12.74)/. .502	(6.37)/. .251	
90814-***06	6	(6.35)/. .250	(10.20)/. .402	(5.10)/. .201	
90814-***04	4	(3.81)/. .150	(7.66)/. .302	(3.83)/. .151	
PART NO.	NUMBER OF CKTS	DIMN. B		DIMN. D	

PCB THICKNESS = (1.60±0.14) .063±.006

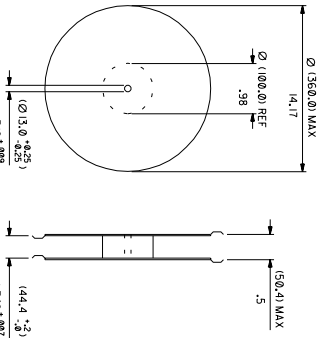
PCB LAYOUT FOR HEADERS WITHOUT PCB PEGS
 HEADER VERSIONS 90814-3**/-5**/-6**/-7**,
 VIEWED FROM COMPONENT SIDE

SEE SHEET I
 EC NO. E2003-1158
 DRWN: JDENNEHY 03/04/30
 CH'K: / /
 APPR: / /

REV	DESCRIPTION	MAJOR SYMBOLS	QUALITY SYMBOLS	GENERAL TOLERANCES: (UNLESS SPECIFIED)	SCALE	DESIGN UNITS	THIRD ANGLE PROJECTION	TITLE:	DIMENSIONS: MM INCH MM ONLY	SHT	REV
N				CRITICAL C/ \pm 0	5:1	MM INCH	MM INCH	PICO FLEX SMT HEADER	MM INCH MM ONLY		
DRAWING NO. SDA-90814			MATERIAL NO. MOLEX INCORPORATED			DRAFT WHERE APPLICABLE MUST REMAIN WITHIN DIMENSIONS			SHEET NO. 2 OF 2 SIZE C		

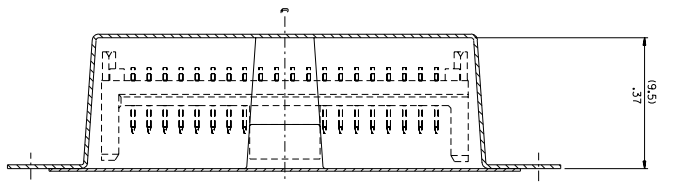


REFERENCE ONLY

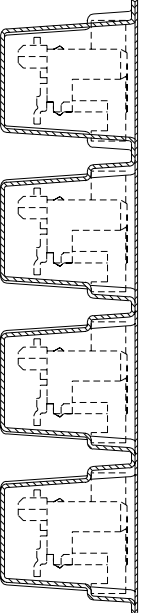
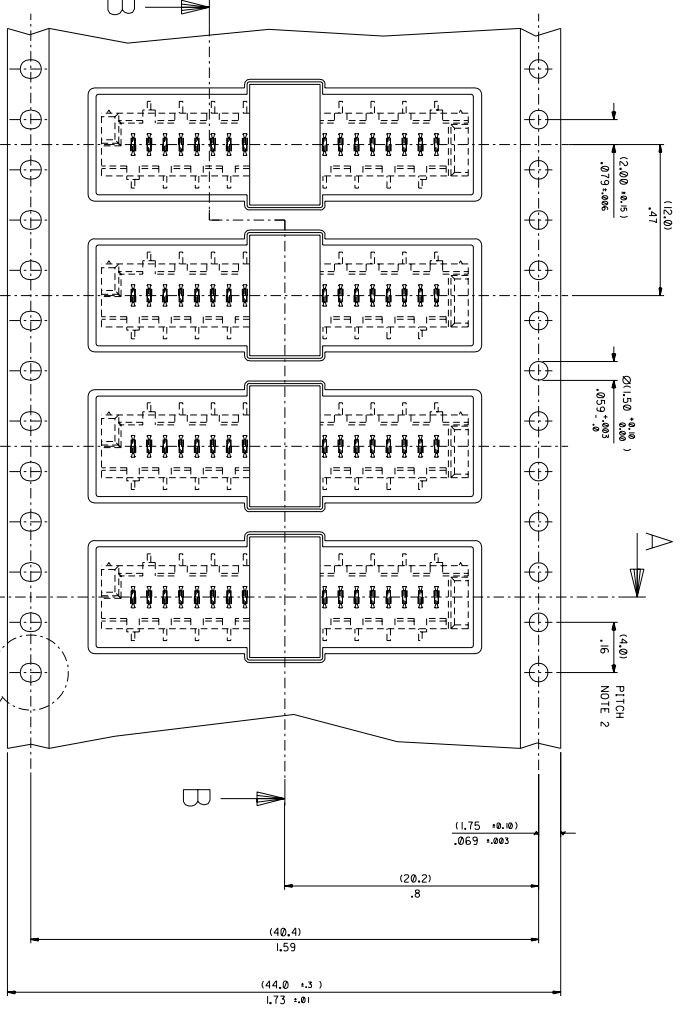


REEL DIMENSIONS
Scale 1:10

(600) PIECES ON A REEL
(THREE) REELS / CARBOARD BOX
(1800) PIECES IN THE CARBOARD BOX



A - A



B - B

Scale 10:1

90814-220/-+520/-+720/-+920	20
90814-218/-+518/-+718/-+918	18
90814-216/-+516/-+716/-+916	16
90814-214/-+514/-+714/-+914	14
90814-212/-+512/-+712/-+912	12
90814-210/-+510/-+710/-+910	10
90814-208/-+508/-+708/-+908	8
90814-206/-+506/-+706/-+906	6
90814-204/-+504/-+704/-+904	4
PART NO.	NUMBER OF PKTS

TO CUSTOMER
ASSEMBLY MACHINE



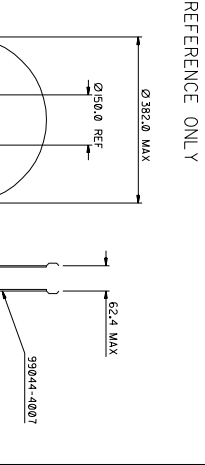
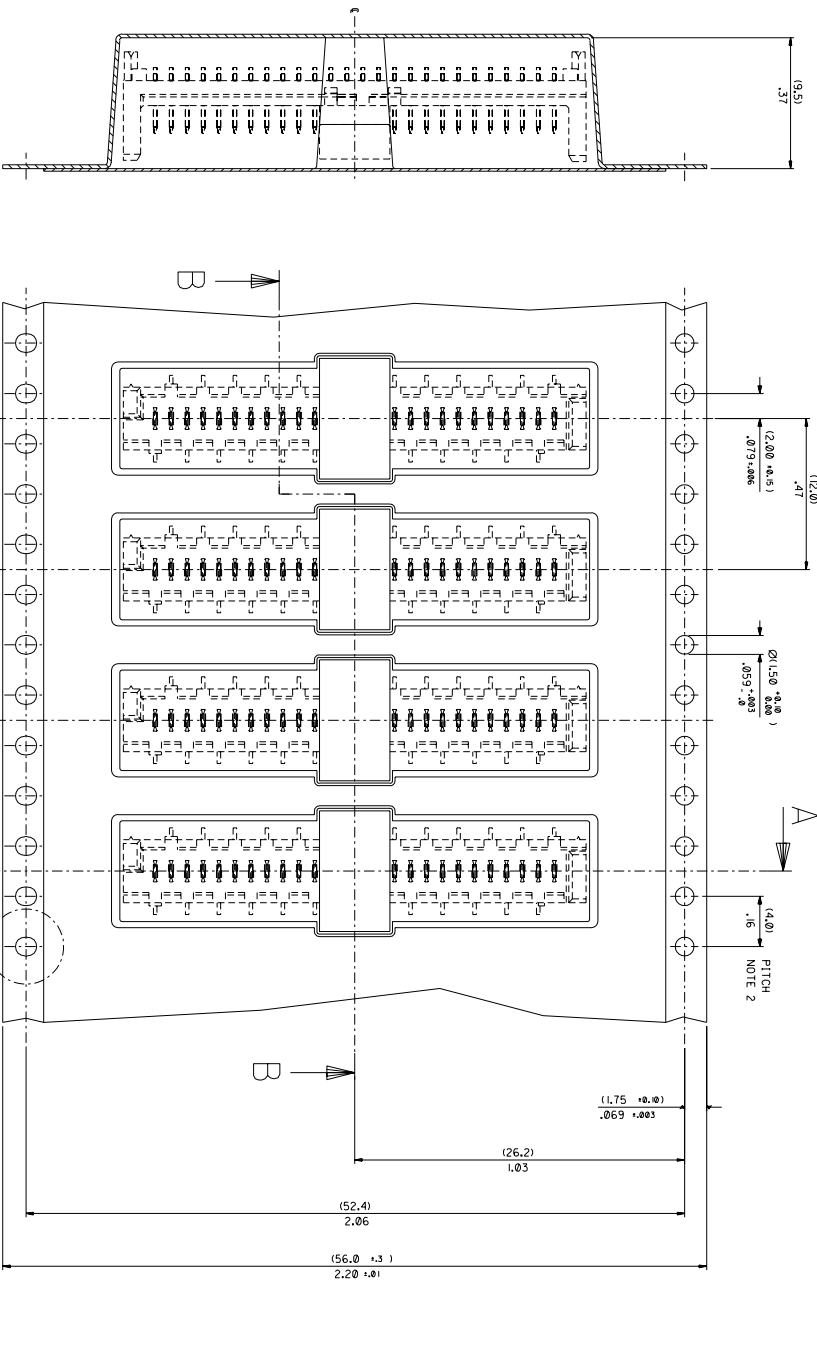
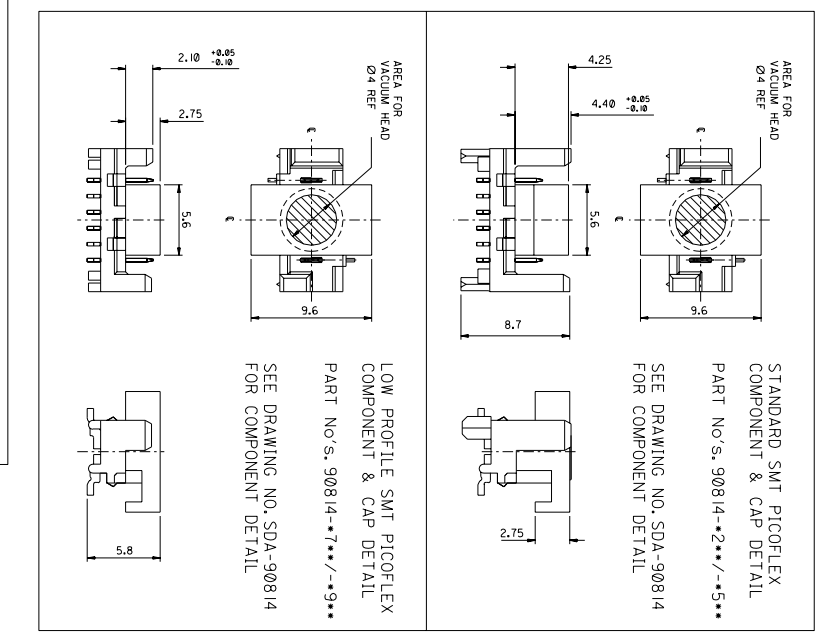
MOLEX REEL

INCR POL PEG WTH
EC NO. 2003-1158
DRWN: J DENNEHY 03/04/30
CHK: APPR:

REV	DESCRIPTION	QUALITY SYMBOLS	GENERAL TOLERANCES (UNLESS SPECIFIED)	SCALE	DESIGN UNITS	THIRD ANGLE PROJECTION	DRAWING NO.	SHEET NO.
1	MAJOR	0	MM INCH	1:1	MM INCH	MM INCH	SDA-90814-9001	1 OF 2
2	CRITICAL	0	MM INCH	1:1	MM INCH	MM INCH	SDA-90814-9001	2 OF 2

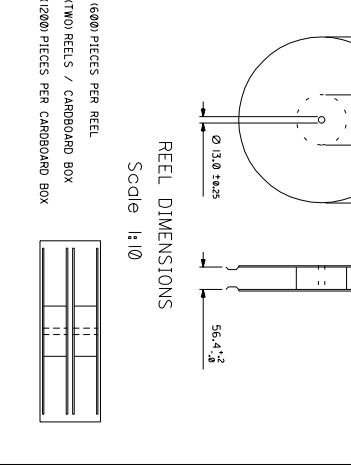
NOTES:
1) MATERIAL: VOLUME NON-CONDUCTIVE ANTISTATIC COATED POLYSTYRENE.
CARRIER TAPE: 1) 0.80 REF. CLEARANCE (0.06) 0.02 REF THICK. TRANSPARENT
COVER TAPE: 1) 0.20 REF. POLYESTER (0.02) 0.02 REF THICK. TRANSPARENT
2) PITCH TO FLANGE OVER ANY 10 PITCHES ± (0.2) 0.008
3) PEEL FORCE OF THE COVER TAPE IS 0.1N TO 1.0N
4) AT A MAXIMUM PEEL SPEED OF (300) 1.81/mn±10%
5) REFERENCE TO IEC 286-3

DRAFT WHERE APPLICABLE MUST REMAIN WITHIN DIMENSIONS
THIS DRAWING CONTAINS INFORMATION THAT IS PROPRIETARY TO MOLEX INCORPORATED AND SHOULD NOT BE USED WITHOUT WRITTEN PERMISSION.



REFERENCE ONLY

390814--226/--526/--726/--926	26
390814--224/--524/--724/--924	24
390814--222/--522/--722/--922	22
PART NO.	NUMBER OF CTX'S

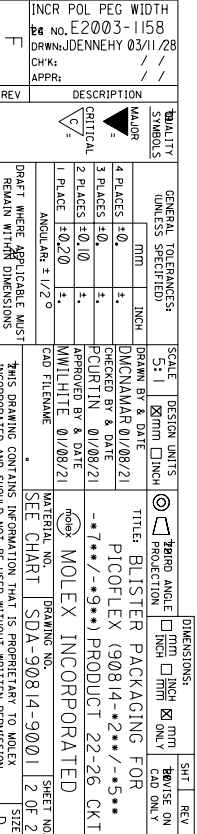


REEL DIMENSIONS
Scale 1:10

NOTES:

- FOR MATERIAL SPECIFICATION SEE SHEET 1
- PITCH TOLERANCE OVER ANY 10 PITCHES IS ± (0.2) .008
- ALL CAVITY WALLS HAVE DRAFT ANGLE UNLESS STATED OTHERWISE
- POCKET DIM'S TAKEN FROM BOTTOM INNER PROFILE
- ALL INTERNAL RAD R.0.3mm MAX. UNLESS STATED

INCORPORATED	MOLEX
SDA-90814-9001	2 OF 2
SEE CHART	SIZE
THIS DRAWING CONTAINS INFORMATION THAT IS PROPRIETARY TO MOLEX INCORPORATED AND SHOULD NOT BE USED WITHOUT WRITTEN PERMISSION.	
SCALE: 5:1	DESIGN UNITS: 0.01mm (0.0004")
DRAWN BY: DATE	DESIGNED BY: DATE
CHECKED BY: DATE	APPROVED BY: DATE
APPROVED BY: DATE	CAD FILENAME:
MATERIAL NO.	DRAWING NO.
SHEET NO.	SIZE
REV	DESCRIPTION
1	INCORPORATED
2	MOLEX INCORPORATED
3	SEE CHART
4	THIS DRAWING CONTAINS INFORMATION THAT IS PROPRIETARY TO MOLEX INCORPORATED AND SHOULD NOT BE USED WITHOUT WRITTEN PERMISSION.
5	SCALE: 5:1
6	DRAWN BY: DATE
7	CHECKED BY: DATE
8	APPROVED BY: DATE
9	MATERIAL NO.
10	SHEET NO.
11	REV
12	DESCRIPTION
13	INCORPORATED
14	MOLEX INCORPORATED
15	SEE CHART
16	THIS DRAWING CONTAINS INFORMATION THAT IS PROPRIETARY TO MOLEX INCORPORATED AND SHOULD NOT BE USED WITHOUT WRITTEN PERMISSION.
17	SCALE: 5:1
18	DRAWN BY: DATE
19	CHECKED BY: DATE
20	APPROVED BY: DATE
21	MATERIAL NO.
22	SHEET NO.
23	REV
24	DESCRIPTION
25	INCORPORATED
26	MOLEX INCORPORATED
27	SEE CHART
28	THIS DRAWING CONTAINS INFORMATION THAT IS PROPRIETARY TO MOLEX INCORPORATED AND SHOULD NOT BE USED WITHOUT WRITTEN PERMISSION.



MOLEX REEL

TO CUSTOMER ASSEMBLY MACHINE

DIRECTION OF UNREELING →

Scale 10:1