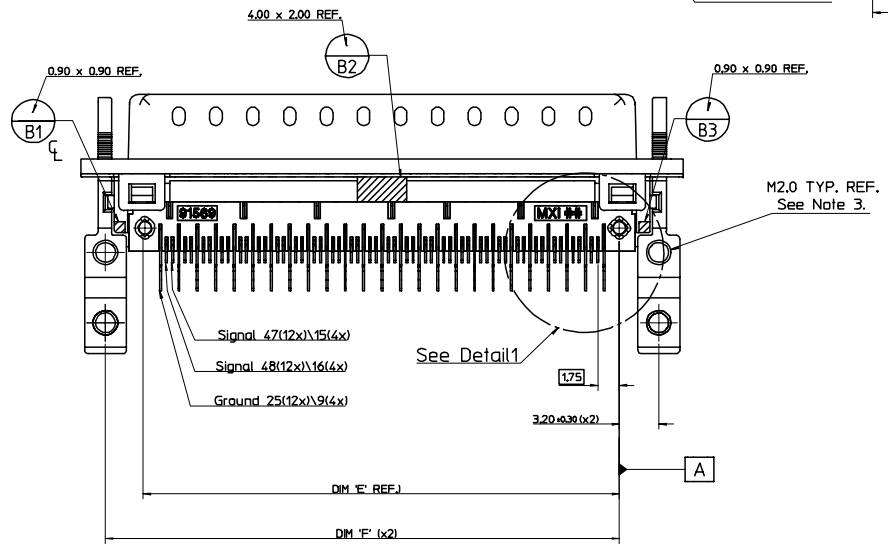
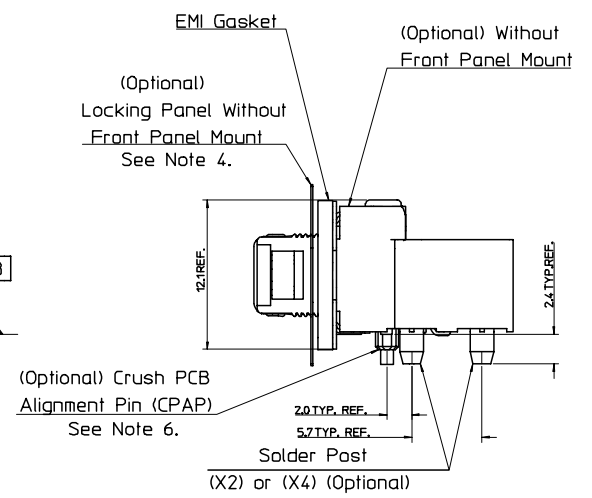
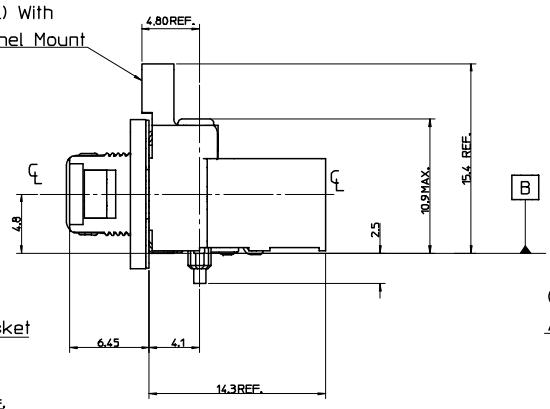
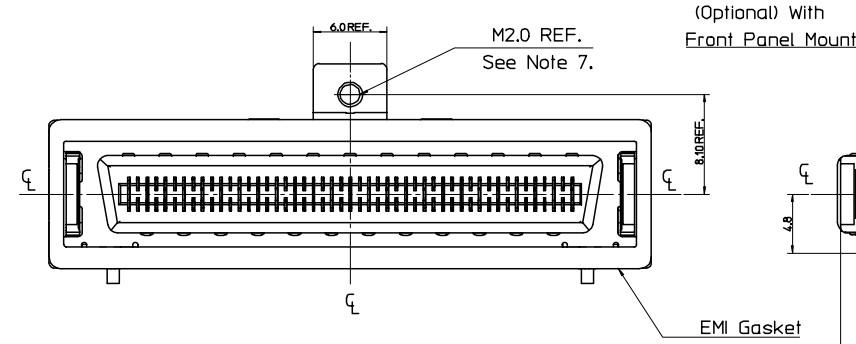
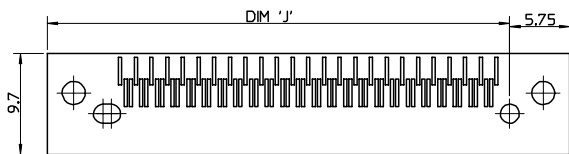


Dim. \ Tol.	Dim. A	Dim. E	Dim. F
Option	+/-0.20	+/-0.20	+/-0.20
12X	48.9	38.5	41.7
4X	24.9	14.5	17.7



- NOTES:
- PRODUCT SPECIFICATION PS-91525-001
  - PACKAGING SPECIFICATION PK-91525-001
  - SCREW THREAD M2.0 X 0.4 PITCH TAPED THROUGH. RECOMMENDED SCREW M2 X 0.4 PITCH, LENGTH 8mm. RECOMMENDED TORQUE 0.3 Nm.
  - LOCKING PANEL (91532) ONE PER CONNECTOR ORDER SEPARATE SEE SALES DRAWING SD-91532-001
  - PCB DATUM B = B1 + B2 + B3
  - CPAP USED TO ALIGN THE SOLDER TAILS WITH THE PCB SOLDER PADS.
  - SCREW THREAD M2.0 X 0.4 PITCH TAPED THROUGH. RECOMMENDED SCREW M2 X 0.4 PITCH, LENGTH 5mm. RECOMMENDED TORQUE 0.3 Nm.

REV	DESCRIPTION	GENERAL TOLERANCES (UNLESS SPECIFIED)		SCALE	DESIGN UNITS	DIMENSION STYLE	THIRD ANGLE PROJECTION	REVISE ON CAD ONLY
		mm	INCH					
1	MOD TO DIM. & VIEWS.	± 0.10	± 0.004	5:1	METRIC	MM ONLY		
2	EC NO: E2003-0839	± 0.15	± 0.005					
3	DRAWN BY: BRUTTLE	± 0.20	± 0.008					
4	CHKD: APPR: MWLHTE	± 0.25	± 0.010					
5		± 0.30	± 0.012					
6		± 0.40	± 0.016					
7		± 0.50	± 0.020					
8		± 0.63	± 0.025					
9		± 0.75	± 0.030					
10		± 0.90	± 0.036					
11		± 1.10	± 0.043					
12		± 1.25	± 0.049					
13		± 1.50	± 0.059					
14		± 1.75	± 0.069					
15		± 2.00	± 0.079					
16		± 2.50	± 0.099					
17		± 3.00	± 0.118					
18		± 3.75	± 0.148					
19		± 4.50	± 0.178					
20		± 5.50	± 0.217					

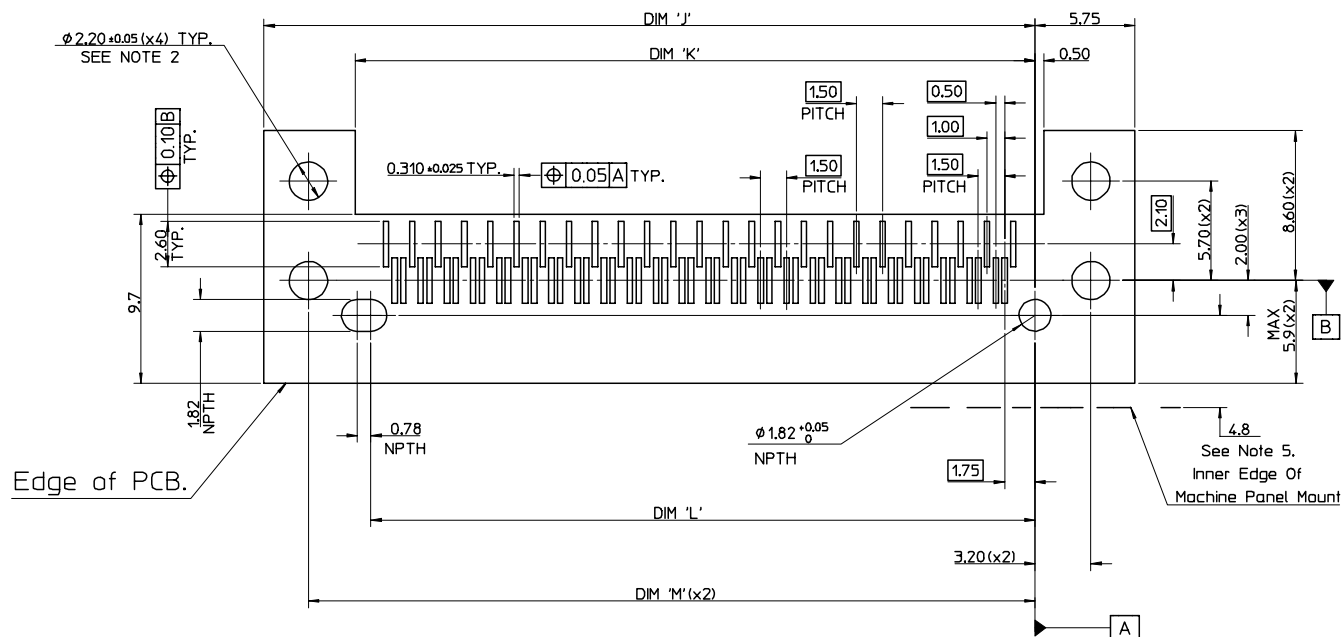


RECOMMENDED PCB LAYOUT  
(WITHOUT REAR MOUNTING HOLES)

SCALE 3:1

DESCRIPTION	DIM 'J'	DIM 'K'	DIM 'L'	DIM 'M'
4X PCB	20.25	15.00	14.11	17.70
12X PCB	44.25	39.00	38.11	41.70

RECOMMENDED PCB LAYOUT  
(WITH REAR MOUNTING HOLES)

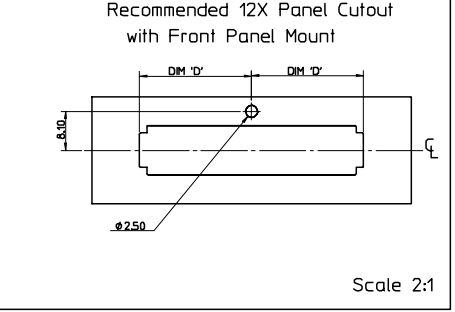
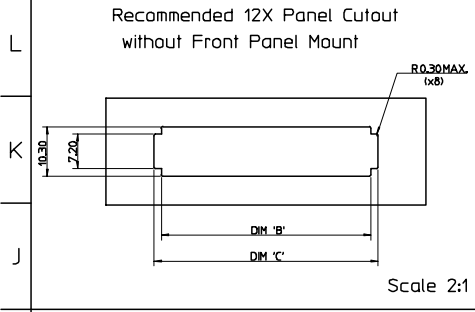


NOTES:

1. AREA OUTLINED TO BE FREE OF COMPONENTS.
2. THROUGH HOLE IS PLATED.  
ALL HOLE SIZES ARE FINISHED HOLE SIZES.
3. RANGE OF PCB THICKNESS 1.6 TO 4.0mm INCL.
4. FOR ANY UNSPECIFIED DIM'S OR NOTES, SEE SHEET 1.
5. THE DESIGN CAN ACCOMMODATE DIFFERENT VALUES OF THIS DIMENSION BY VARYING THE EMI GASKET THICKNESS. FOR FURTHER INFORMATION PLEASE CONTACT LOCAL SALES OFFICE.

SEE SHEET 1 EC NO: E2003-0839 DRAWN BY: BRUTTLE 2003/02/19 CHKD: BRUTTLE 2003/02/20 APPR: MWILHITE 2003/02/21	QUALITY SYMBOLS ▽ = 0 ∇ = 0	GENERAL TOLERANCES (UNLESS SPECIFIED)		SCALE 5:1	DESIGN UNITS METRIC	THIRD ANGLE PROJECTION	REVISE ON CAD ONLY	
		mm	INCH	DIMENSION STYLE MM ONLY		TITLE		
		4 PLACES	± ---	± ---	DRAWN BY	DATE	LANELINK F CONN 4X AND 12X LATCH VERSION	
		3 PLACES	± ---	± ---	BRUTTLE	2003/1/18		
		2 PLACES	± 0.10	± ---	CHECKED BY	DATE	MOLEX INCORPORATED	
		1 PLACE	± 0.2	± ---	JWALLACE	2003/1/18		
		ANGULAR ± 2 °		APPROVED BY	DATE	MATERIAL NO.	DOCUMENT NO.	
		DRAFT WHERE APPLICABLE MUST REMAIN WITHIN DIMENSIONS		MWILHITE	2003/1/18	SEE SHEETS 4 & 5	SD-91525-001	
		THIS DRAWING CONTAINS INFORMATION THAT IS PROPRIETARY TO MOLEX INCORPORATED AND SHOULD NOT BE USED WITHOUT WRITTEN PERMISSION						SHEET NO. 2 OF 5

20 19 18 17 16 15 14 13 12 11 91525 9 8 7 6 5 4 3 2 1



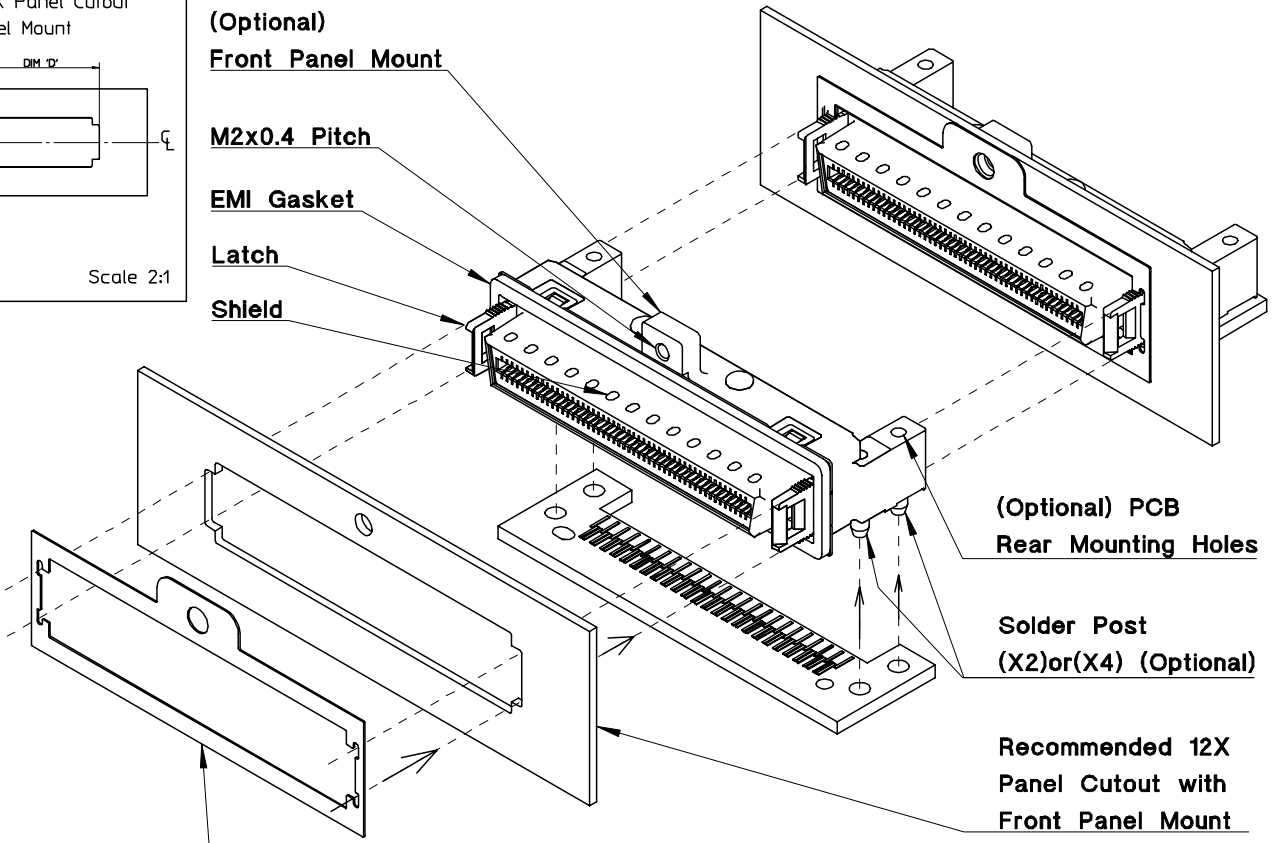
(Optional)  
Front Panel Mount

M2x0.4 Pitch

EMI Gasket

Latch

Shield

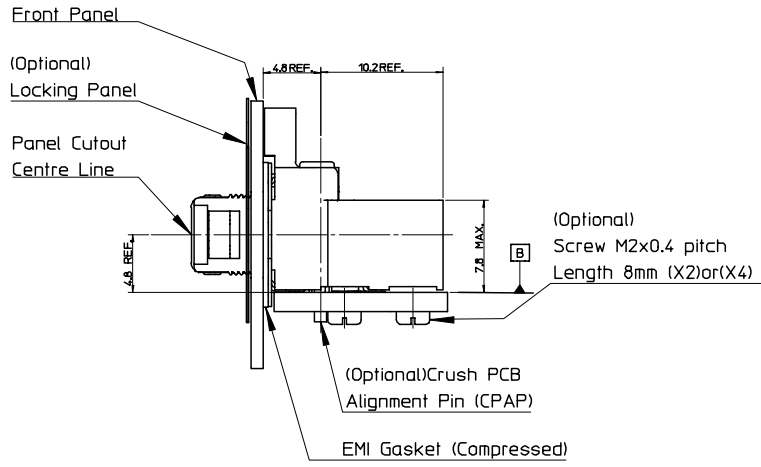
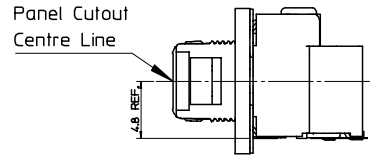


(Optional) PCB  
Rear Mounting Holes

Solder Post  
(X2) or (X4) (Optional)

Recommended 12X  
Panel Cutout with  
Front Panel Mount

Base Part Without  
Optional Features

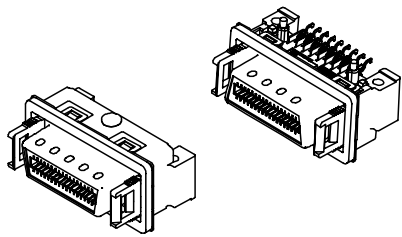
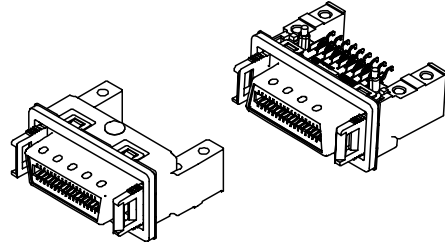
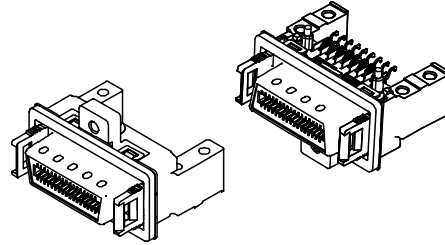
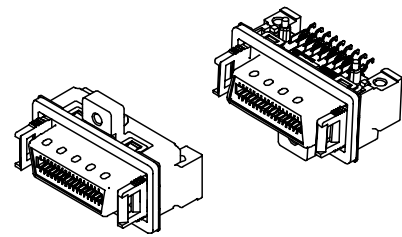
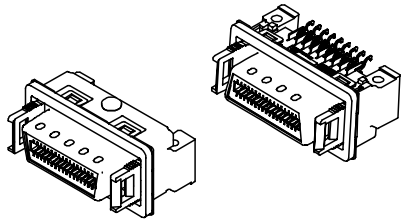
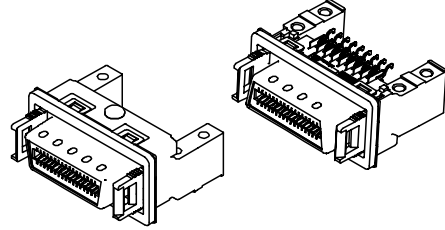
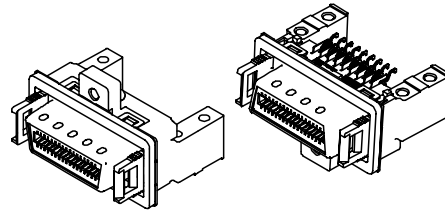
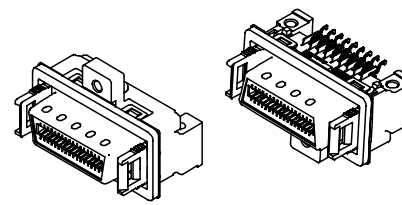
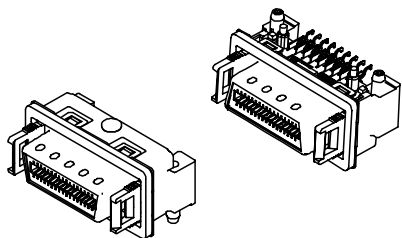
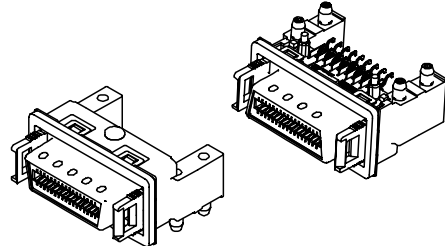
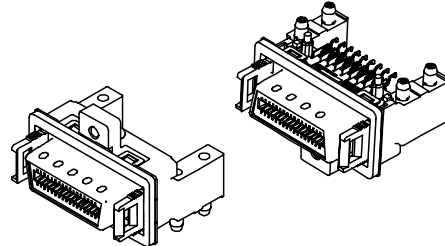
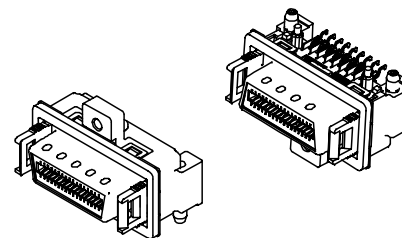
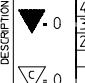



(Optional) Locking Panel  
With Front Panel Mount.

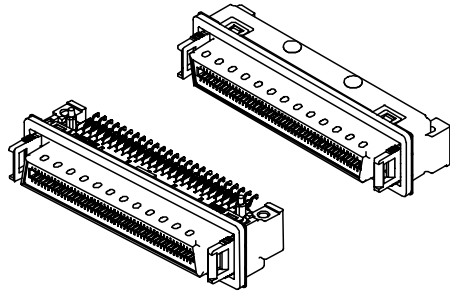
Dim. \ Tol.	Dim. B	Dim. C	Dim. D
Option	+/-0.10	+/-0.10	+/-0.10
12X	43.70	46.70	23.35
4X	19.70	22.70	11.35

SEE SHEET 1 EC NO: E2003-0839 TDRWN: BRUTTLE 2003/02/19 CHKD: 2003/02/20 APPR: MWILHITE 2003/02/21	QUALITY SYMBOLS	GENERAL TOLERANCES (UNLESS SPECIFIED)	SCALE 4:1	DESIGN UNITS METRIC	THIRD ANGLE PROJECTION	REVISE ON CAD ONLY	
	4 PLACES ±--- ±--- 3 PLACES ±--- ±--- 2 PLACES ±0.10 ±--- 1 PLACE ±0.2 ±---	mm ±--- INCH ±--- ANGULAR ± 2°	DIMENSION STYLE MM ONLY	DRAWN BY DATE BRUTTLE 2003/1/18	CHECKED BY DATE JWALLACE 2003/1/18	TITLE LANELINK F CONN 4X AND 12X LATCH VERSION	
	DRAFT WHERE APPLICABLE MUST REMAIN WITHIN DIMENSIONS	APPROVED BY DATE MWILHITE 2003/1/18	MATERIAL NO. SEE SHEETS 4 & 5	DOCUMENT NO. SD-91525-001	MOLEX INCORPORATED		
						SHEET NO. 3 OF 5	

19 18 17 16 15 14 13 12 11 10 9 8 7 6 5 4 3 2 1

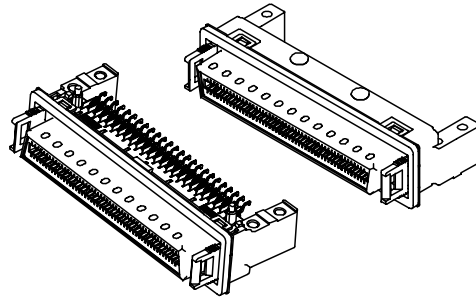
	20	19	18	17	16	15	14	13	12	11	10	9	8	7	6	5	4	3	2	1																														
M	<b>PART No. : 91525-0410</b> 					<b>PART No. : 91525-0412</b> 					<b>PART No. : 91525-0414</b> 					<b>PART No. : 91525-0416</b> 					M																													
L	4XLL F Conn W/CPAP O/Pnl Mnt O/Rear Mnt					4XLL F Conn W/CPAP O/Pnl Mnt W/Rear Mnt					4XLL F Conn W/CPAP W/Pnl Mnt W/Rear Mnt					4XLL F Conn W/CPAP W/Pnl Mnt O/Rear Mnt					L																													
K																					K																													
J																					J																													
I	<b>PART No. : 91525-0418</b> 					<b>PART No. : 91525-0420</b> 					<b>PART No. : 91525-0422</b> 					<b>PART No. : 91525-0424</b> 					I																													
H	4XLL F Conn O/CPAP O/Pnl Mnt O/Rear Mnt					4XLL F Conn O/CPAP O/Pnl Mnt W/Rear Mnt					4XLL F Conn O/CPAP W/Pnl Mnt W/Rear Mnt					4XLL F Conn O/CPAP W/Pnl Mnt O/Rear Mnt					H																													
G																					G																													
F																					F																													
E	<b>PART No. : 91525-0450</b> 					<b>PART No. : 91525-0452</b> 					<b>PART No. : 91525-0454</b> 					<b>PART No. : 91525-0456</b> 					E																													
D	4XLL F W/CPAP O/Pnl Mnt W/2 Sdr Posts					4XLL F W/CPAP O/Pnl Mnt W/4 Sdr Posts					4XLL F W/CPAP W/Pnl Mnt W/4 Sdr Posts					4XLL F W/CPAP W/Pnl Mnt W/2 Sdr Posts					D																													
C																					C																													
B																					B																													
A	<b>NOTES:</b> 1. REFER TO SHEET 1 FOR ALL UNSPECIFIED DIMENSIONS. 2. REFER TO SHEET 2 FOR RECOMMENDED PCB LAYOUTS.					<b>SEE SHEET 1</b> EC NO: E2003-0839 TDRWN: BRUTTLE 2003/02/19 CHKD: BRUTTLE 2003/02/20 APPR: MWILHITE 2003/02/21					<b>QUALITY SYMBOLS</b> 					<b>GENERAL TOLERANCES (UNLESS SPECIFIED)</b> <table border="1"> <thead> <tr> <th></th> <th>mm</th> <th>INCH</th> </tr> </thead> <tbody> <tr> <td>4 PLACES</td> <td>± .005</td> <td>± .0002</td> </tr> <tr> <td>3 PLACES</td> <td>± .008</td> <td>± .0003</td> </tr> <tr> <td>2 PLACES</td> <td>± 0.010</td> <td>± .0004</td> </tr> <tr> <td>1 PLACE</td> <td>± 0.020</td> <td>± .0008</td> </tr> </tbody> </table>						mm	INCH	4 PLACES	± .005	± .0002	3 PLACES	± .008	± .0003	2 PLACES	± 0.010	± .0004	1 PLACE	± 0.020	± .0008	<b>SCALE</b> 3:1 <b>DESIGN UNITS</b> METRIC <b>DIMENSION STYLE</b> MM ONLY					<b>THIRD ANGLE PROJECTION</b> TITLE LANELINK F CONN 4X AND 12X LATCH VERSION  <b>MOLEX INCORPORATED</b>					<b>REVISE ON CAD ONLY</b> MATERIAL NO. 91525-04** DOCUMENT NO. SD-91525-001 SHEET NO. 4 OF 5				
	mm	INCH																																																
4 PLACES	± .005	± .0002																																																
3 PLACES	± .008	± .0003																																																
2 PLACES	± 0.010	± .0004																																																
1 PLACE	± 0.020	± .0008																																																
	DRAFT WHERE APPLICABLE MUST REMAIN WITHIN DIMENSIONS					THIS DRAWING CONTAINS INFORMATION THAT IS PROPRIETARY TO MOLEX INCORPORATED AND SHOULD NOT BE USED WITHOUT WRITTEN PERMISSION					A1					A																																		
	10...frame_A1_P_AH.T rev. 01 2000/08/01																																																	

PART No : 91525-1210



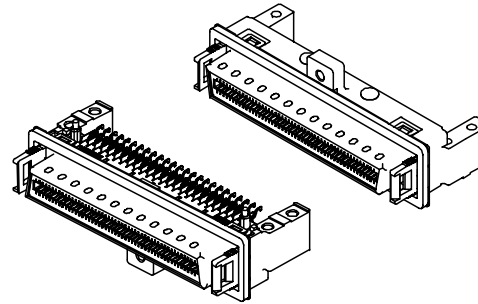
12XLL F Conn W/CPAP O/Pnl Mnt O/Rear Mnt

PART No. : 91525-1212



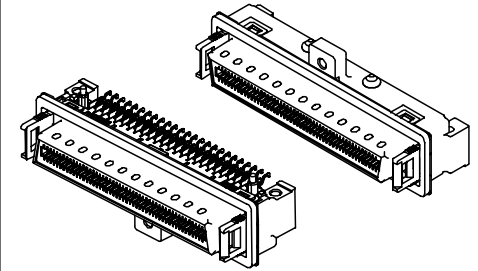
12XLL F Conn W/CPAP O/Pnl Mnt W/Rear Mnt

PART No. : 91525-1214



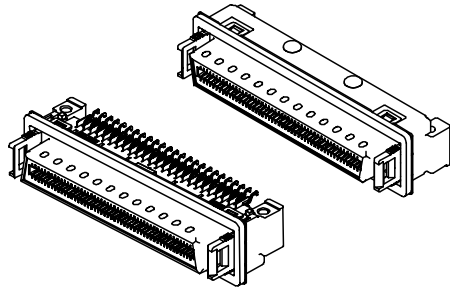
12XLL F Conn W/CPAP W/Pnl Mnt W/Rear Mnt

PART No. : 91525-1216



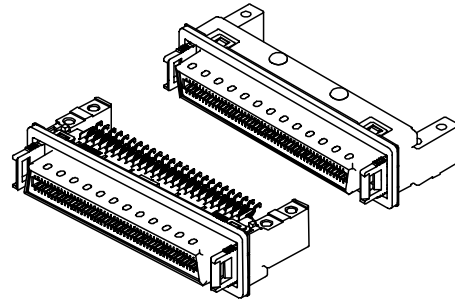
12XLL F Conn W/CPAP W/Pnl Mnt O/Rear Mnt

PART No. : 91525-1218



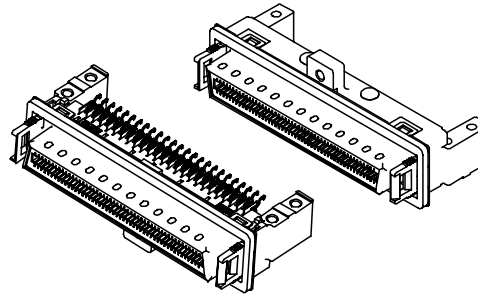
12XLL F Conn O/CPAP O/Pnl Mnt O/Rear Mnt

PART No. : 91525-1220



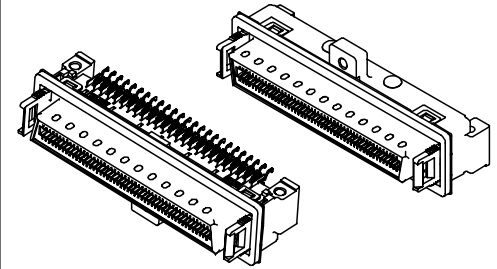
12XLL F Conn O/CPAP O/Pnl Mnt W/Rear Mnt

PART No. : 91525-1222



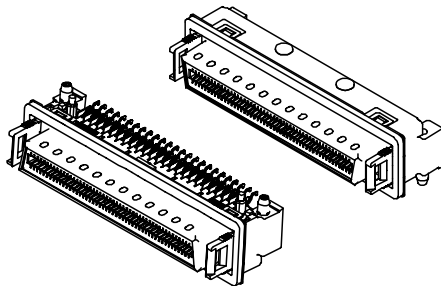
12XLL F Conn O/CPAP W/Pnl Mnt W/Rear Mnt

PART No. : 91525-1224



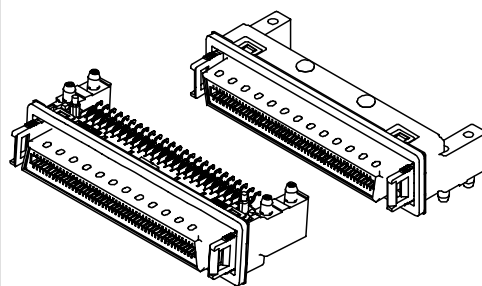
12XLL F Conn O/CPAP W/Pnl Mnt O/Rear Mnt

PART No. : 91525-1250



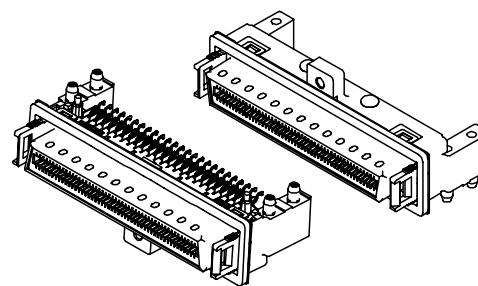
12XLL F W/CPAP O/Pnl Mnt W/2 Sdr Posts

PART No. : 91525-1252



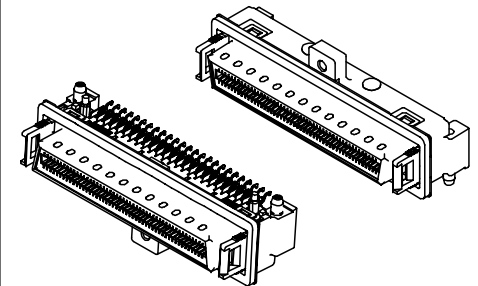
12XLL F W/CPAP O/Pnl Mnt W/4 Sdr Posts

PART No. : 91525-1254



12XLL F W/CPAP W/Pnl Mnt W/4 Sdr Posts

PART No. : 91525-1256



12XLL F W/CPAP W/Pnl Mnt W/2 Sdr Posts

NOTES:

1. REFER TO SHEET 1 FOR ALL UNSPECIFIED DIMENSIONS.
2. REFER TO SHEET 2 FOR RECOMMENDED PCB. LAYOUTS.

SEE SHEET 1 EC NO: E2003-0839 T/DRW: BRUTTLE 2003/02/19 CHKD: 2003/02/20 APPR: MWILHITE 2003/02/21 REV	QUALITY SYMBOLS	GENERAL TOLERANCES (UNLESS SPECIFIED)	SCALE 2.5:1	DESIGN UNITS METRIC	THIRD ANGLE PROJECTION	REVISE ON CAD ONLY	
	DIMENSION STYLE 4 PLACES ±.00 ±.00 3 PLACES ±.01 ±.01 2 PLACES ±0.10 ±.05 1 PLACE ±0.2 ±.10 ANGULAR ± 2°	mm	INCH	Metric	MM ONLY	TITLE	
		DRAFT WHERE APPLICABLE MUST REMAIN WITHIN DIMENSIONS		DRAWN BY DATE	LANELINK F CONN 4X AND 12X LATCH VERSION		
				BRUTTLE 2003/1/18	MOLEX INCORPORATED		
		APPROVED BY DATE	MATERIAL NO. DOCUMENT NO.		SHEET NO.		
		MWILHITE 2003/1/18	91525-12** SD-91525-001		5 OF 5		
THIS DRAWING CONTAINS INFORMATION THAT IS PROPRIETARY TO MOLEX INCORPORATED AND SHOULD NOT BE USED WITHOUT WRITTEN PERMISSION							