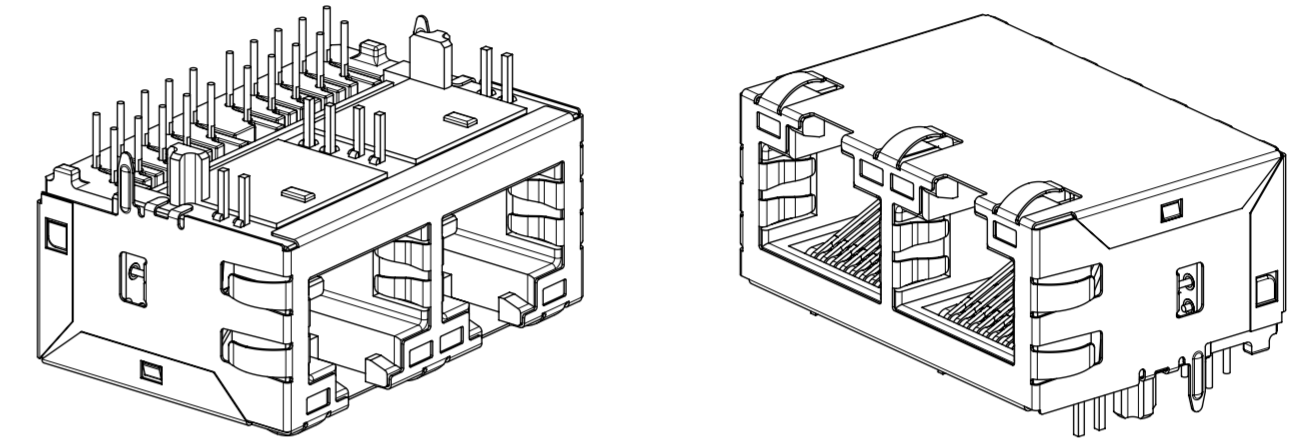
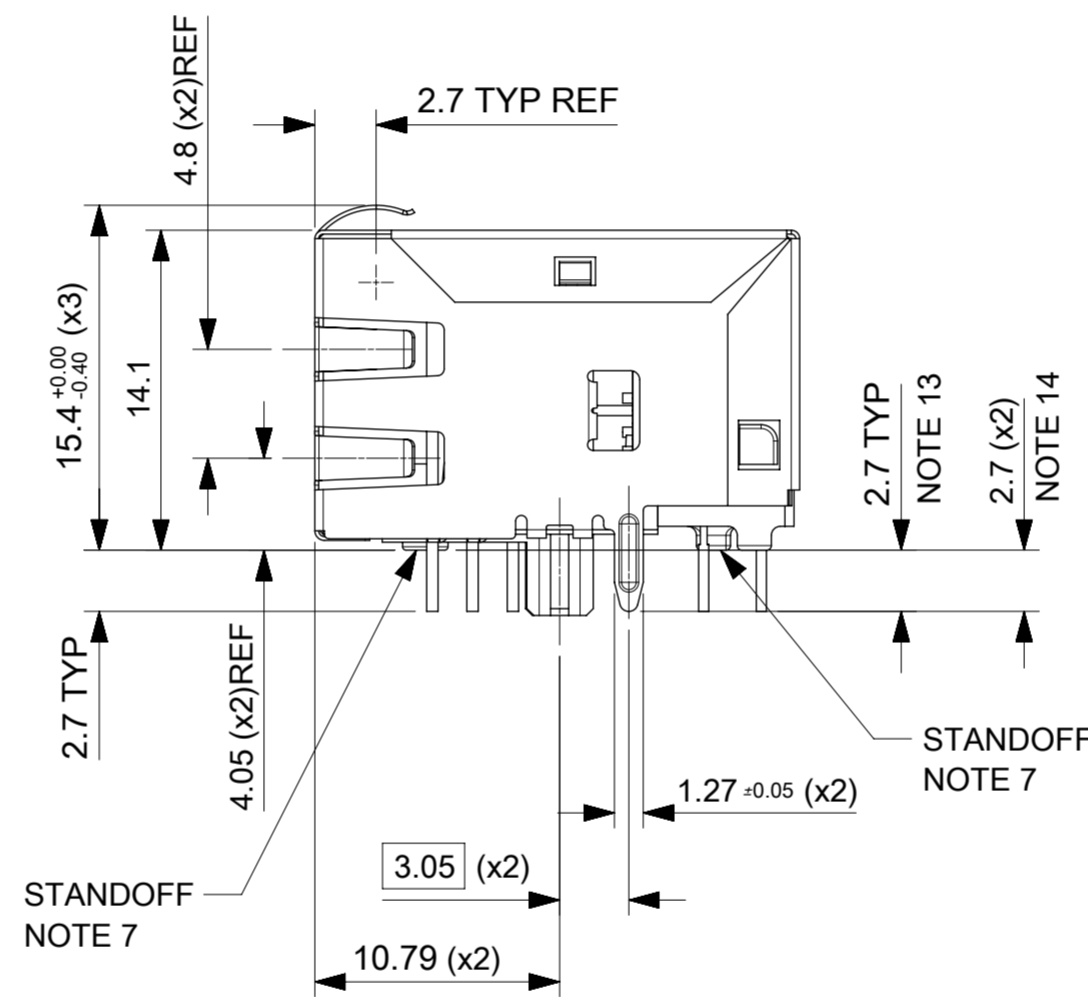
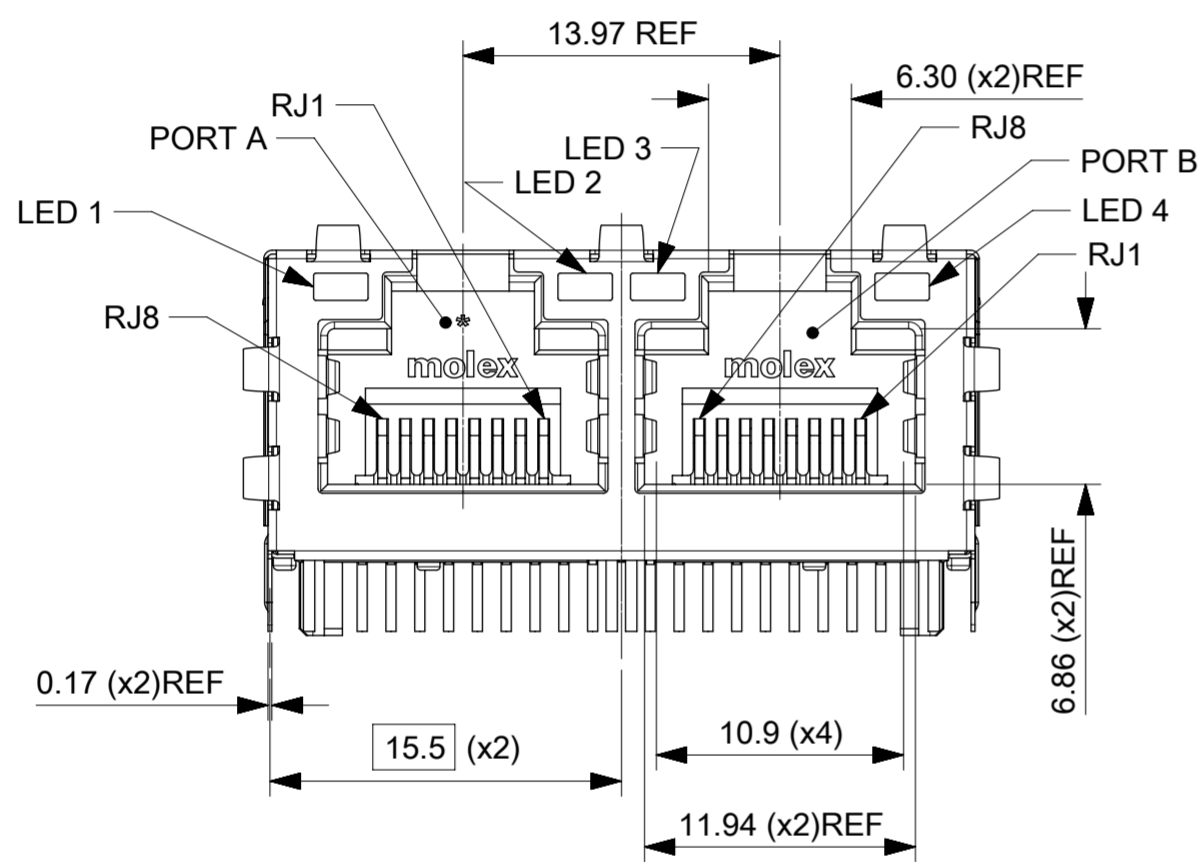


| PART NO. | LED COLOR | | | |
|-----------|-----------|--------|-------|--------|
| | LED 1 | LED 2 | LED 3 | LED 4 |
| 938263006 | GREEN | YELLOW | GREEN | YELLOW |

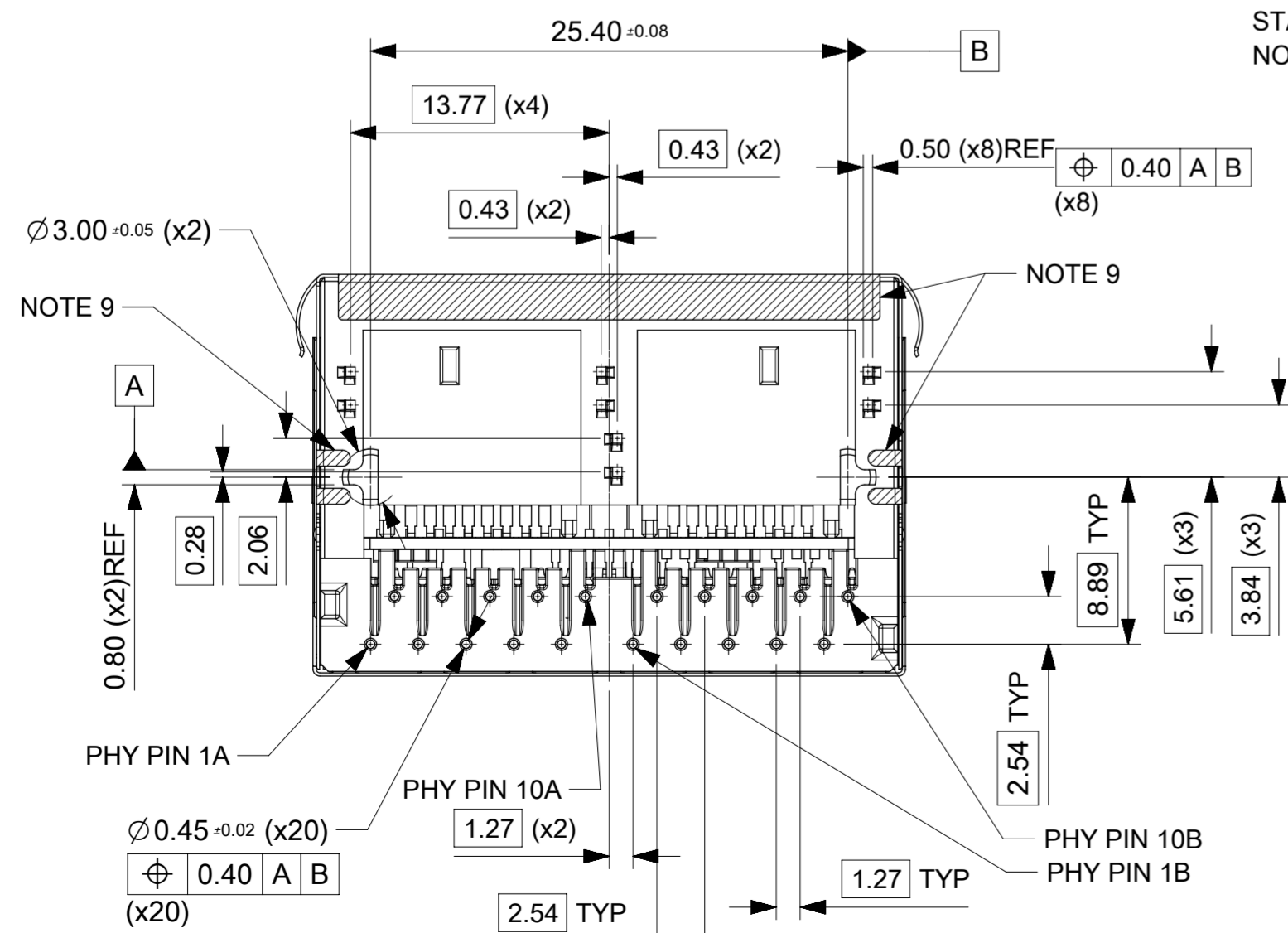


INVERTED PROFILE DUAL PORT MAGNETIC JACK
GIGABIT ETHERNET
WITH LED
WITH SHIELD TABS



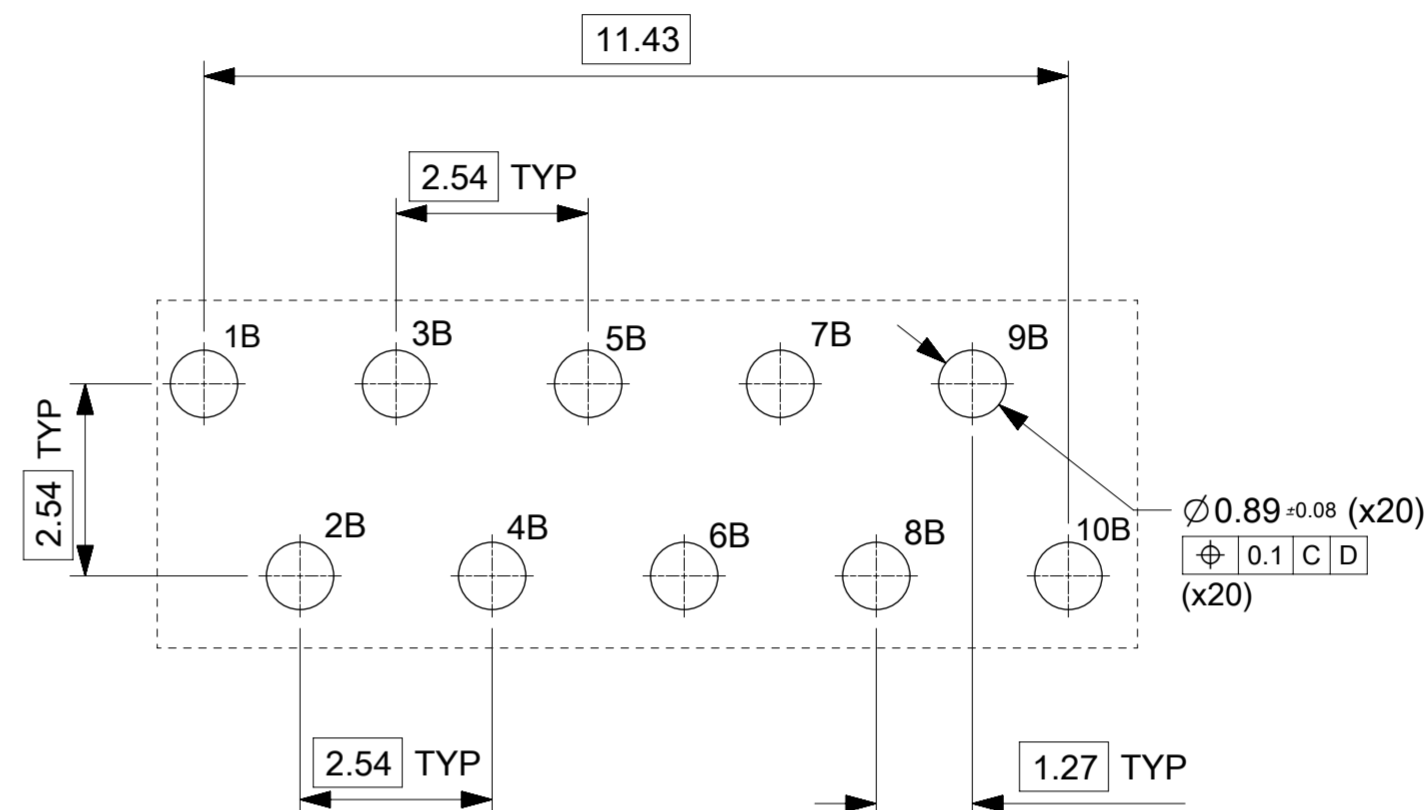
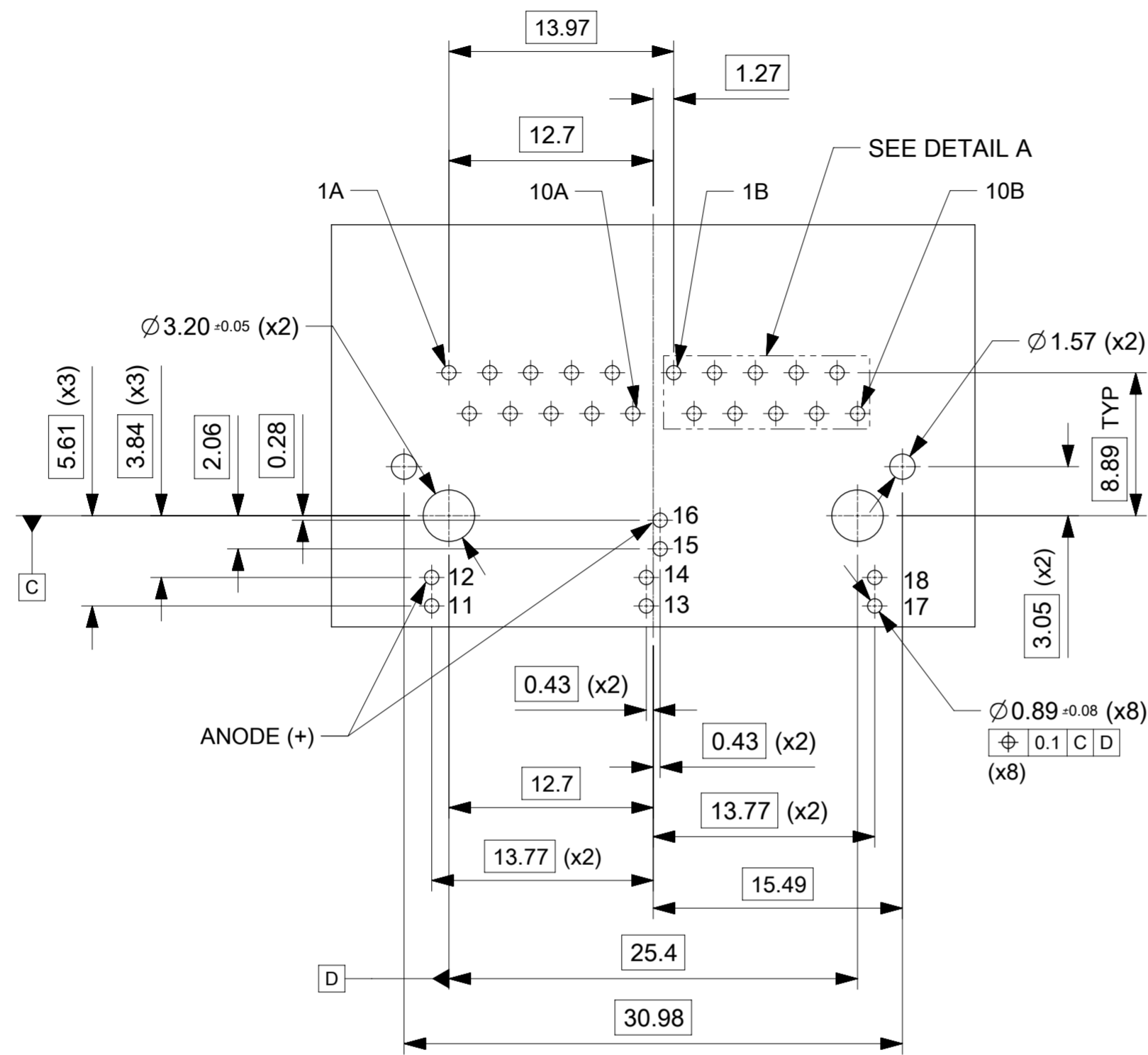
NOTES:

- SHIELD MATERIAL: 0.17 mm THICK BRASS PRE-PLATED WITH NICKEL
SOLDER TABS POST DIPPED WITH MIN. 1.27 μm TIN
- HOUSING MATERIAL: LCP, BLACK, UL 94V-0
- TERMINALS MATERIAL: PHOSPHOR BRONZE
RJ45 CONTACTS PLATING: BASE NICKEL PLATED WITH GOLD FLASH OVER PALLADIUM NICKEL. REFER TO 934620001 PSP
PHY SOLDER TAILS: COPPER ALLOY
- MATING INTERFACE ACCORDING TO IEC 60603-7 & TIA-1096-A
- PRODUCT SPECIFICATION: 934620001 PSP
- PACKAGING SPECIFICATION: 938240001 PSK TRAY
- STAND OFF TO SYSTEM BOARD 0.30 mm MIN
- RECOMMENDED PCB THICKNESS: 1.6 mm
- SHIELD: AVOID ROUTING TRACES
OR PLACING ANY VIAS BELOW THESE AREAS.
- MATERIAL COMPLIANT TO RoHS DIRECTIVE 2002/95/EC
- INSCRIPTION MARKED BY LASER:
1st: MOLEX
2nd: PART NUMBER
- INSCRIPTION MARKED BY LASER:
DATE CODE (DAY/WEEK/YEAR)
- PHY PIN LENGTH
- SHIELD SOLDER TAB LENGTH

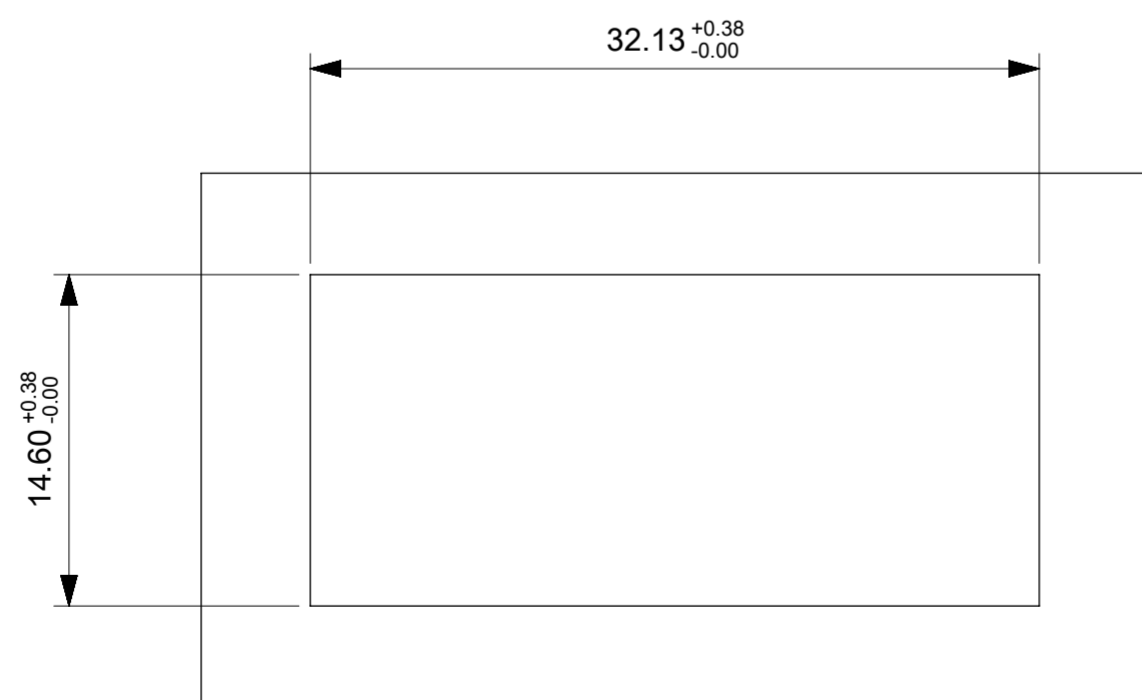


| | | | | | | | | | | | | |
|------------------|--|--|--|-----------------|--|------------------------|--|--------------------------------|--|---|--|--|
| ORIGINAL RELEASE | | GENERAL TOLERANCES (UNLESS SPECIFIED) | | DIMENSION UNITS | | SCALE | | molex | | | | |
| 2017/10/17 | | ± | | mm | | 3:1 | | | | | MXMAG DUAL PORT 8C GIG COMMERCIAL W/ LEDS | |
| 2017/10/23 | | ANGULAR TOL ± 2.0 ° | | DRWN BY | | DATE | | PRODUCT CUSTOMER DRAWING | | | | |
| 2017/11/07 | | 4 PLACES ± | | DSHEA | | 2017/05/31 | | | | | SERIES MATERIAL NUMBER CUSTOMER | |
| 2017/11/07 | | 3 PLACES ± | | CHK'D BY | | DATE | | 93826 SEE CHART GENERAL MARKET | | | | |
| 2017/11/07 | | 2 PLACES ± 0.1 | | SMCGREEVY | | 2017/10/23 | | | | | DOCUMENT NUMBER DOC TYPE DOC PART SHEET NUMBER | |
| 2017/11/07 | | 1 PLACE ± 0.2 | | APPR BY | | DATE | | 938260003 PSD 000 1 OF 3 | | | | |
| 2017/11/07 | | 0 PLACES ± | | DBYRNES | | 2017/11/07 | | | | | A2 | |
| 2017/11/07 | | DRAFT WHERE APPLICABLE MUST REMAIN WITHIN DIMENSIONS | | DRAWING SIZE | | THIRD ANGLE PROJECTION | | A2 | | | | |
| 2017/11/07 | | EC NO: 123046 | | DRWN: DSHEA | | CHKD: SMCGREEVY | | | | | APPR: DBYRNES | |
| 2017/11/07 | | REV: APPR: DBYRNES | | 2017/11/07 | | 2017/11/07 | | 2017/11/07 | | A | | |

RECOMMENDED PCB LAYOUT
GIG VERSION W/ LED
COMPONENT SIDE
ALL DIMENSIONS REF DIMENSIONS



DETAIL A
SCALE 10:1



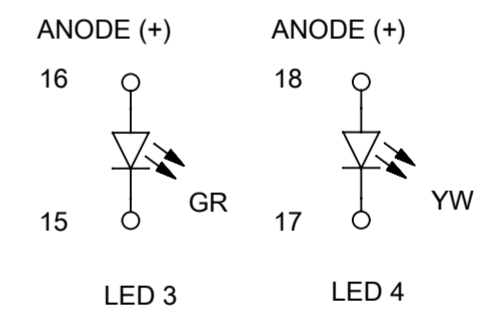
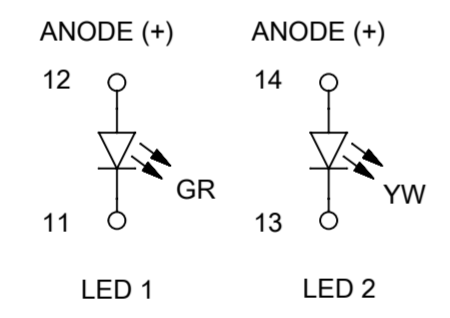
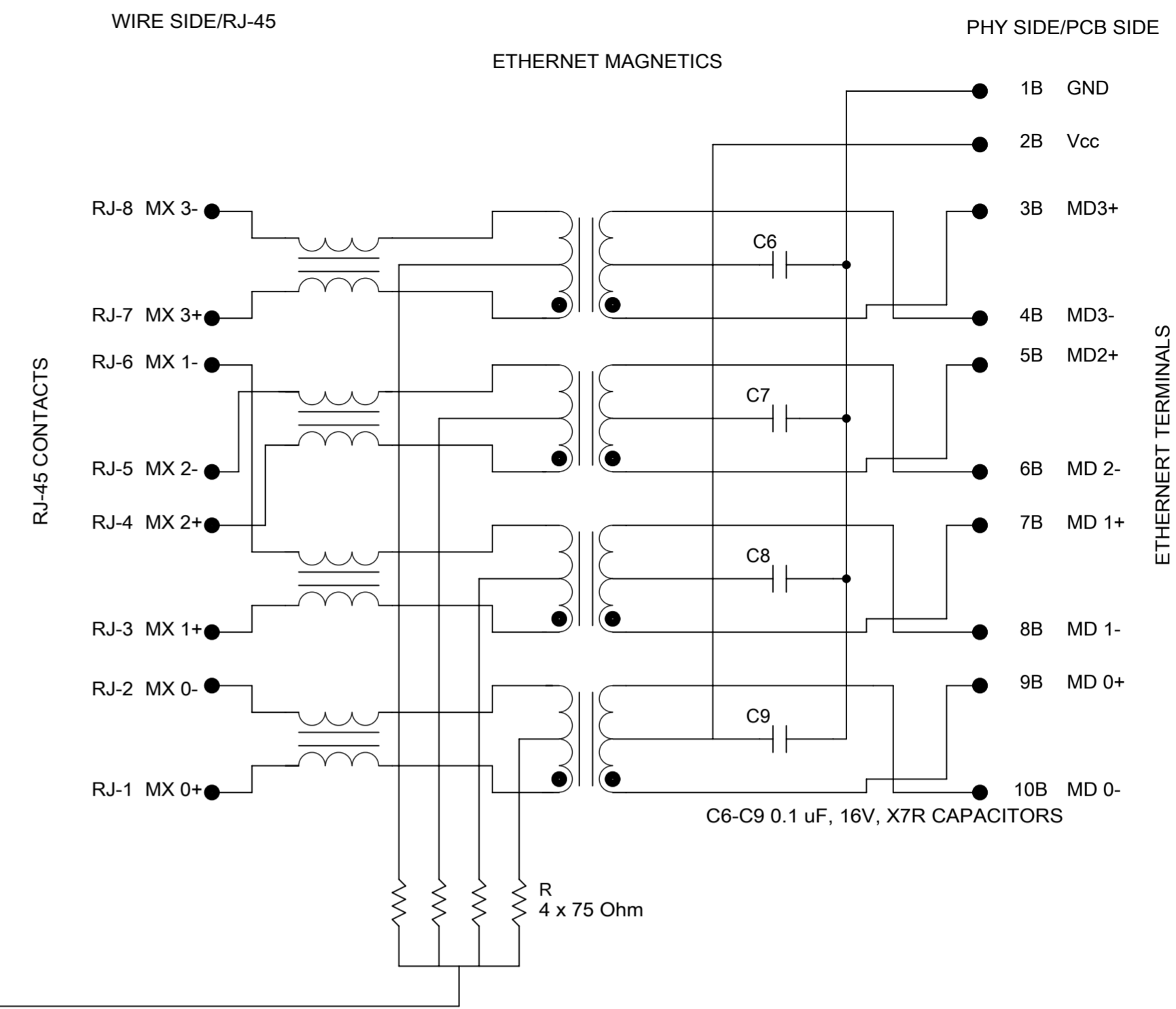
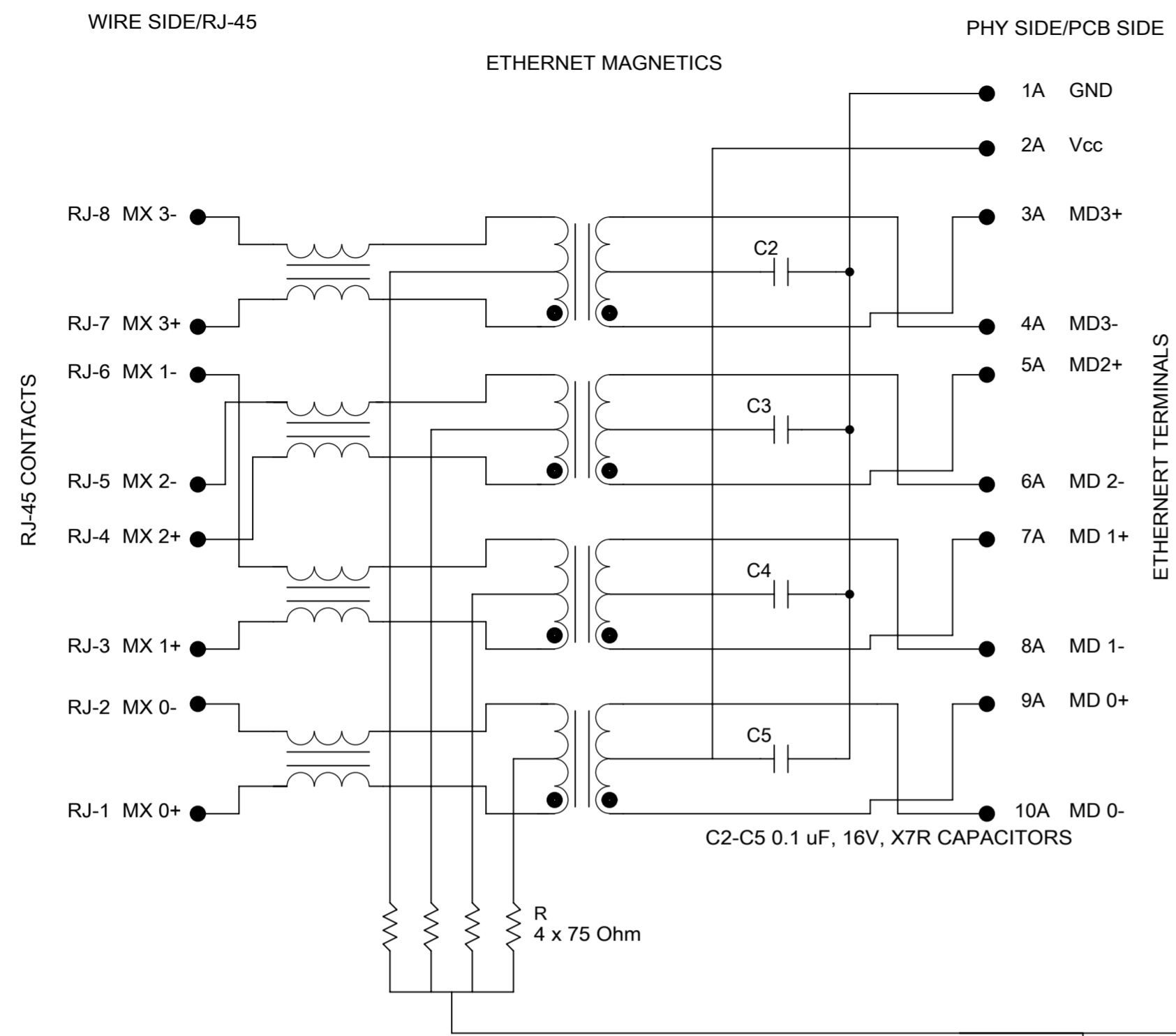
SUGGESTED PANEL CUTOUT

THIS DRAWING CONTAINS INFORMATION THAT IS PROPRIETARY TO MOLEX ELECTRONIC TECHNOLOGIES, LLC AND SHOULD NOT BE USED WITHOUT WRITTEN PERMISSION

| | | | | | | | |
|--|------------|------------------------|------------|---------------------------------------|-----------------|--|----------|
| ORIGINAL RELEASE EC NO: 123046 DRWN: DSHEA CHKD: SMCGREEVY APPR: DBYRNES | 2017/10/17 | 2017/10/23 | 2017/11/07 | GENERAL TOLERANCES (UNLESS SPECIFIED) | DIMENSION UNITS | SCALE | |
| | | | | ANGULAR TOL ± 2.0 ° | mm | 3:1 | |
| | 4 PLACES | ± | | DRWN BY | DATE | | |
| | 3 PLACES | ± | | DSHEA | 2017/05/31 | | |
| | 2 PLACES | ± | 0.1 | CHK'D BY | DATE | | |
| 1 PLACE | ± | 0.2 | SMCGREEVY | 2017/10/23 | | MXMAG DUAL PORT 8C GIG COMMERCIAL W/ LEDS | |
| 0 PLACES | ± | | APPR BY | DATE | | | |
| DRAFT WHERE APPLICABLE MUST REMAIN WITHIN DIMENSIONS | | | DBYRNES | 2017/11/07 | | | |
| DRAWING SIZE | | THIRD ANGLE PROJECTION | | PRODUCT CUSTOMER DRAWING | | | |
| A2 | | | | SERIES | MATERIAL NUMBER | | CUSTOMER |
| | | | | 93826 | SEE SHEET 1 | GENERAL MARKET | |
| | | | | DOCUMENT NUMBER | DOC TYPE | DOC PART SHEET NUMBER | |
| | | | | 938260003 | PSD | 000 2 OF 3 | |

PORT A

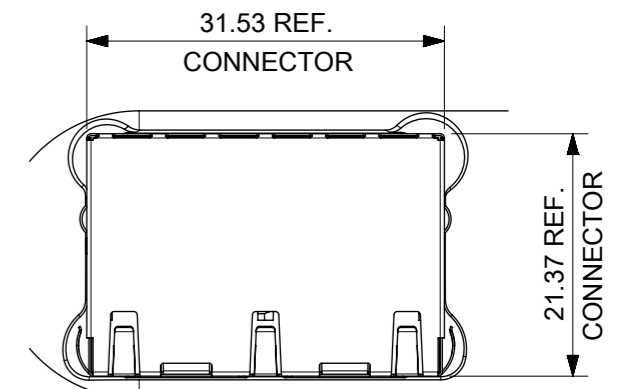
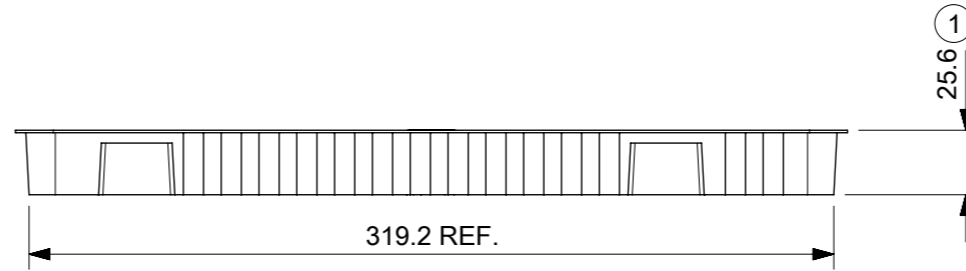
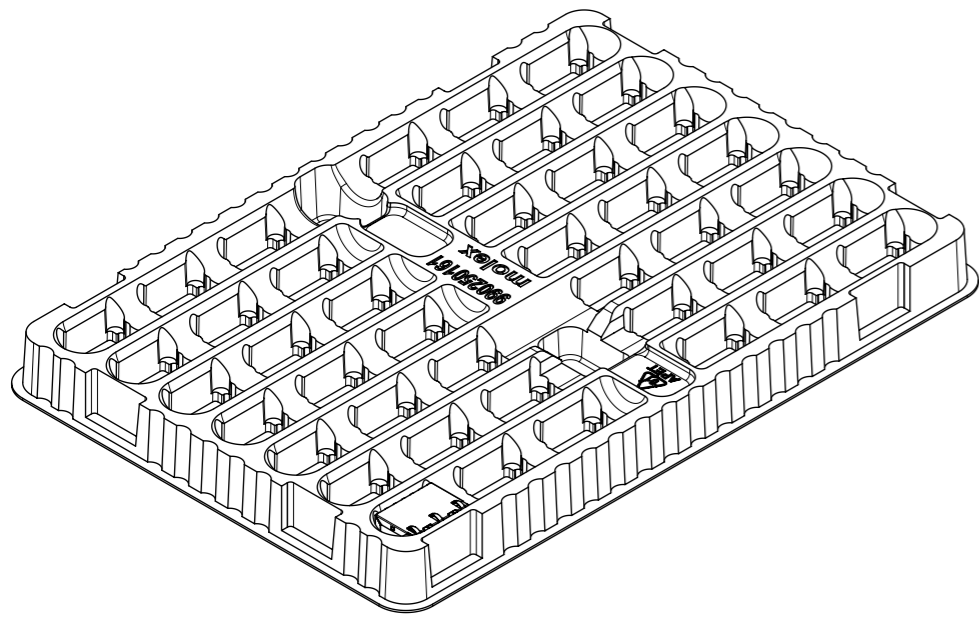
PORT B



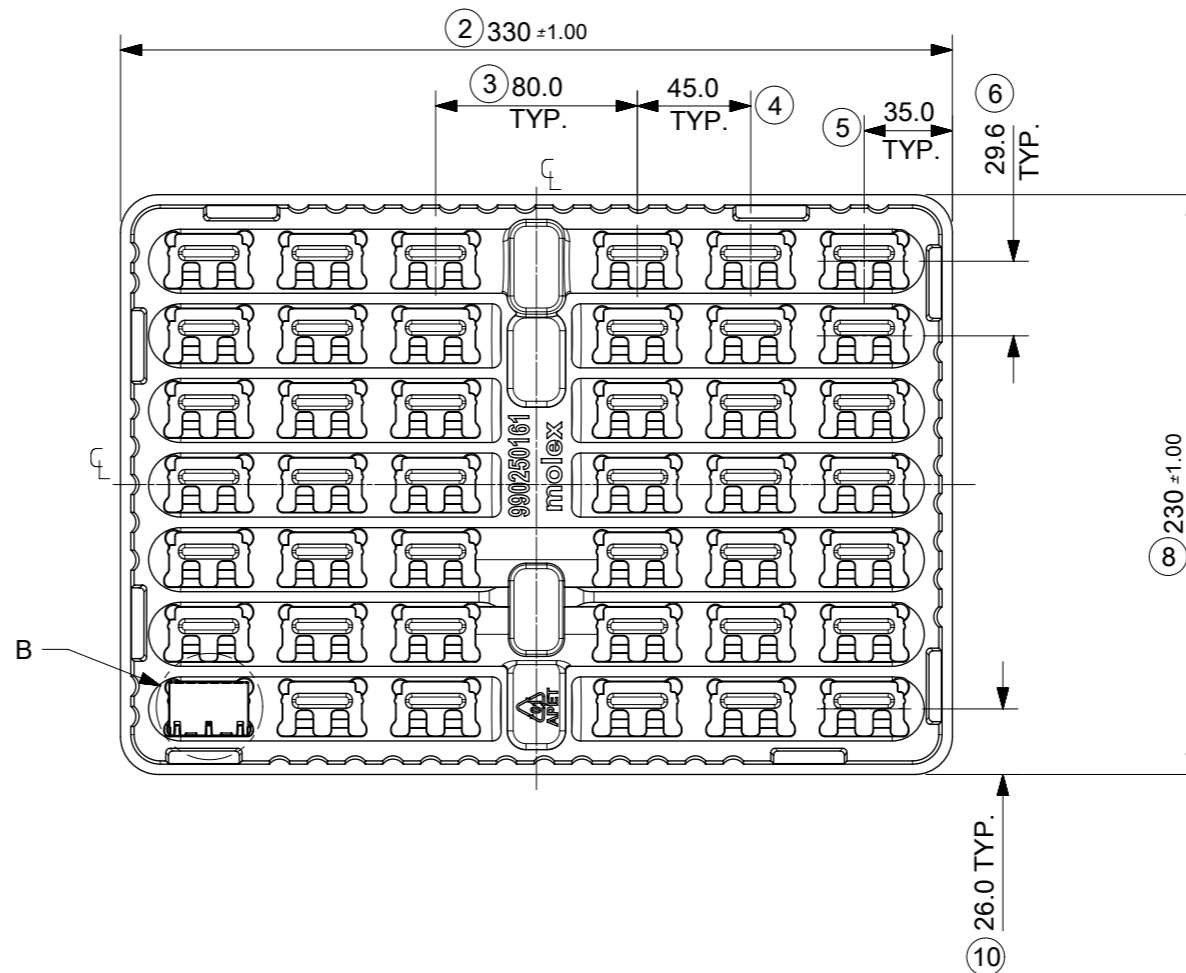
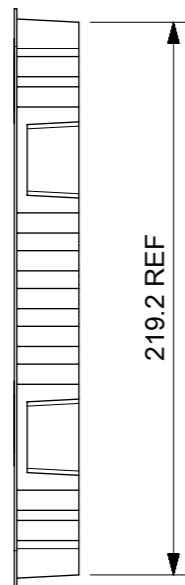
| Description | Value | |
|---|-------------------|--------------------------|
| OCL @100 kHz, 0.1 V, 8 mA DC bias (0°C to +70°C) | 350 μH min. | |
| Turns ratio | 1CT:1CT | |
| Transmission characteristics @ 25°C, all four pairs | | |
| Insertion Loss | | |
| Frequency f, (MHz) | Limits (dB max.) | Typical Values (dB max.) |
| 1.0-9.9 | 0.4+0.1*log(f) | 0.5 @ 10 MHz |
| 10-49.9 | 0.5+0.3*log(f/10) | 0.7 @ 50 MHz |
| 50-79.9 | 1+1.4*log(f/80) | 1.0 @ 80 MHz |
| 80-100 | 1.3+3*log(f/100) | 1.3 @ 100 MHz |
| Return Loss | | |
| Frequency f, (MHz) | Limits (dB min.) | Typical Values (dB min.) |
| 1.0-39.9 | 18 | 18 @ 40 MHz |
| 40-100 | 12-20*log(f/80) | 10 @ 100 MHz |
| CMR | | |
| Frequency f, (MHz) | Limits (dB min.) | Typical Values (dB min.) |
| 1.0-100 | 30 | 30 @ 100 MHz |
| NEXT | | |
| Frequency f, (MHz) | Limits (dB min.) | Typical Values (dB min.) |
| 1.0-39.9 | 35 | 35 @ 40 MHz |
| 40-100 | 33-20*log(f/50) | 27 @ 100 MHz |
| Isolation PHY to wire side | 2.25 kV DC/60sec | |

THIS DRAWING CONTAINS INFORMATION THAT IS PROPRIETARY TO MOLEX ELECTRONIC TECHNOLOGIES, LLC AND SHOULD NOT BE USED WITHOUT WRITTEN PERMISSION

| | | | | | | | |
|---|------------|--|----------------------|---------------------------------------|------------------------|---|---------------|
| ORIGINAL RELEASE EC NO: 123046 DRWN: DSHEA CHKD: SMCGREEVY REV: APPR: DBYRNES | 2017/10/17 | 2017/10/23 | 2017/11/07 | GENERAL TOLERANCES (UNLESS SPECIFIED) | DIMENSION UNITS | SCALE | |
| | 4 PLACES | ± | ANGULAR TOL ± 2.0 ° | | mm | 1:1 | |
| | 3 PLACES | ± | DSHEA 2017/05/31 | | DRWN BY DATE | | |
| | 2 PLACES | ± 0.1 | SMCGREEVY 2017/10/23 | | CHK'D BY DATE | | |
| 1 PLACE | ± 0.2 | DBYRNES 2017/11/07 | | APPR BY DATE | | PRODUCT CUSTOMER DRAWING SERIES: 93826 MATERIAL NUMBER: SEE SHEET 1 CUSTOMER: GENERAL MARKET | |
| 0 PLACES | ± | DRAFT WHERE APPLICABLE MUST REMAIN WITHIN DIMENSIONS | | DRAWING SIZE | THIRD ANGLE PROJECTION | | |
| A2 | | | | DOCUMENT NUMBER: 938260003 | DOC TYPE: PSD | | DOC PART: 000 |



DETAIL B
SCALE 3:2



NOTES:

1. MATERIAL: PETA ANTISTATIC
2. THICKNESS: 0.9 mm REF
3. COLOUR: CLEAR
4. BOW 2 mm MAXIMUM PER 330 mm
5. TWIST 2 mm MAXIMUM PER 330 mm
6. TRAY PART NO. AND RECYCLE LOGO TO BE CLEARLY MARKED ON TRAY
RECYCLE LOGO SHOULD BE APPROPRIATE TO MATERIAL USED
7. WHERE RELEVANT, DIMENSIONS SHOULD BE SYMMETRICAL ABOUT THE CENTRELINE
8. GENERAL PROFILE TOLERANCE $\frac{\text{R}}{0.40}$ ON NON DIMENSIONED FEATURES
9. PACKAGING SPECIFICATION: 938240001 PSK

DIMENSION NUMBERS DELETED: 7, 9, 11, 12
LAST INSPECTION NUMBER USED: 10

THIS DRAWING CONTAINS INFORMATION THAT IS PROPRIETARY TO MOLEX ELECTRONIC TECHNOLOGIES, LLC AND SHOULD NOT BE USED WITHOUT WRITTEN PERMISSION

| | | | | | | | | | |
|---|------------|------------|---|-----------------|------------------------|--------------------------|-----------------|----------------|--------------|
| ORIGINAL RELEASE EC NO: 123046 DRWN: DSHEA CHK'D: SMCGREEVY APPR: DBYRNES | 2017/10/17 | 2017/10/23 | GENERAL TOLERANCES (UNLESS SPECIFIED) ANGULAR TOL ± 1.0 ° 4 PLACES ± 3 PLACES ± 2 PLACES ± 0.2 1 PLACE ± 0.5 0 PLACES ± DRAFT WHERE APPLICABLE MUST REMAIN WITHIN DIMENSIONS | DIMENSION UNITS | SCALE | | | | |
| | | | | mm | 1:3 | | | | |
| | | | | DRWN BY | DATE | | SMCGREEVY | 2017/06/15 | |
| | | | | CHK'D BY | DATE | | SMCGREEVY | 2017/10/23 | |
| | | | | APPR BY | DATE | PRODUCT CUSTOMER DRAWING | | | |
| | | | | DBYRNES | 2017/11/07 | SERIES | MATERIAL NUMBER | CUSTOMER | |
| | | | | DRAWING SIZE | THIRD ANGLE PROJECTION | 99025 | 990250150 | GENERAL MARKET | |
| | | | | A3 | | DOCUMENT NUMBER | DOC TYPE | DOC PART | SHEET NUMBER |
| | | | | | | 990250161 | PSD | 000 | 1 OF 1 |

| | | | | |
|----------------|----|--------------|------------|----------|
| RELEASE STATUS | P1 | RELEASE DATE | 07.11.2017 | 10:13:22 |
|----------------|----|--------------|------------|----------|