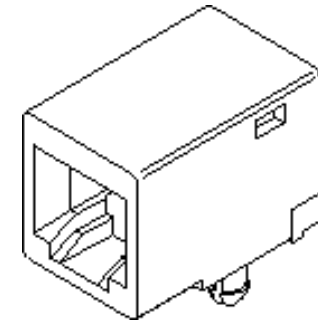


15-43-8566

Modular Jack, Right Angle, 6/6

[View all parts in series 41687](#)
[3D Dimensions](#)
[E-mail this page](#)
[Samples](#)
[Buy](#)

Status	Active
Component	PCB Jack
Ports	1
Positions / Loaded Contacts	6/6
Orientation	Right Angle (Side Entry)
Inverted / Top Latch	No
Product Name	RJ11
Performance Category	3
Shielded	No
Lightpipes/LEDs	None
MOUNTING	
Profile	Standard
Panel Stops	No
PCB Mounting	Through Hole
Surface Mount Compatible (SMC)	No
PCB Retention	Snap-in Plastic Peg
PCB Thickness	1.6mm (.062")
PHYSICAL	
Contact	Phosphor Bronze (CuSn)
Plating Contact	1.3µm (50µ") Gold (Au)
Plating Tail	2.5µm (100µ") Tin (Sn)
Under Plating	Nickel (Ni)
Packaging	Tray
Housing Material	Polyester, Glass-filled
Color	Black
Flammability	UL 94V-0



**This part is
ELV and RoHS
COMPLIANT**

ENVIRONMENT	
RoHS Compliant	Yes
Lead-free Process Capability	Wave Capable (TH only)

Features and Benefits

- Post plating covers bare edges and increases long-term reliability
- Keying available to ensure proper mating to designated connector
- 100% electrically tested for hi-pot and continuity
- Covered contacts meet British Telecom 4000V test
- 1.27µm (50µ") Gold plating meets FCC 68 requirements

Comment	Flangeless
Durability [mating cycles] min.	500 cycles
ELECTRICAL	
Current-max [amps]	1.5A
Voltage-max [volts]	125V
Withstanding Voltage	1000V AC
Contact Resistance [ohms]	10 milliohms max.
Insulation Resistance [ohms]	500 Megohms min.
REFERENCE	
UL File Number	E107635
CSA File Number	LR19980
Mates With	FCC 68 Plugs
Temperature Range	-40°C to +80°C
MX01 Catalog Page	O-34
990 Catalog Page	O-25
Product Specification	PS-41314
Old Part Number	A-41687-66ABAA
Overview	Right Angle Modular Jacks[-8603]
Circuits / Positions	6
Loaded Contacts	6
Universal Service Order Code	RJ12, RJ18, RJ25
Pitch / Center Spacing	1.27mm (.050")
Rows (No Display)	2
Molex Series	41687

2D DRAWING - For reference only. See technical [Drawing \(PDF\)](#) for design-in purposes.

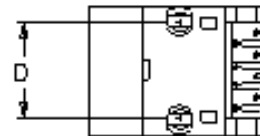
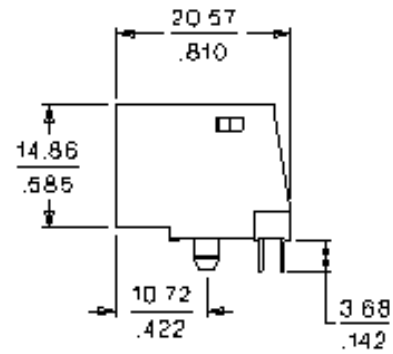
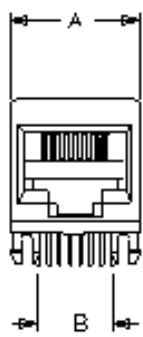
DIMENSIONS

Mounted Height	14.86mm (.585")
Mounted Width	20.57mm (.810")
Designed In	Inches
Dimension A	13.21mm (.520")
Dimension B	6.35mm (.250")
Dimension C	13.59mm (.535")

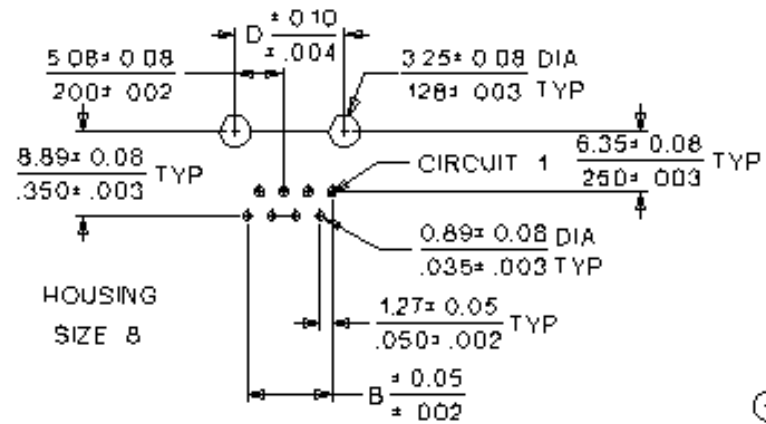
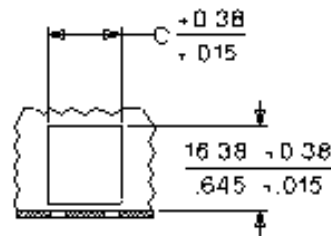
Dimension D 10.16mm (.400")

First Contact to End

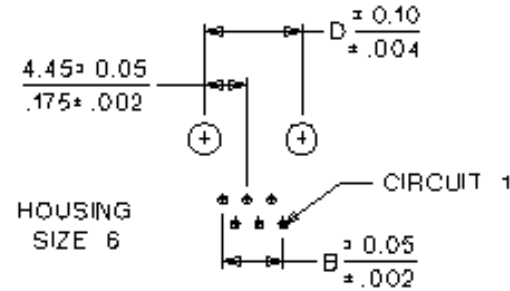
3.17mm (.125")



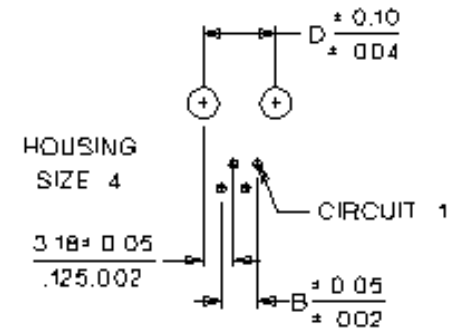
PANEL OPENING



HOUSING SIZE 8



HOUSING SIZE 6



HOUSING SIZE 4

PCB LAYOUT: COMPONENT SIDE
RECOMMENDED PCB 1.57
THICKNESS .062