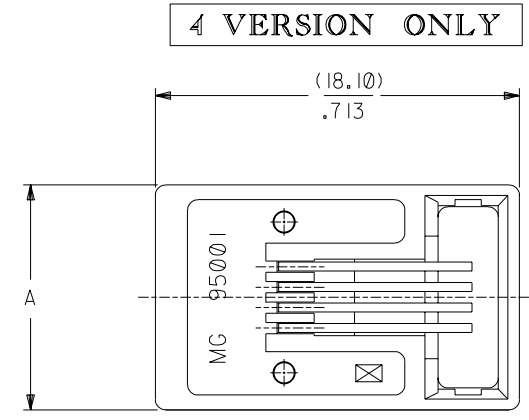
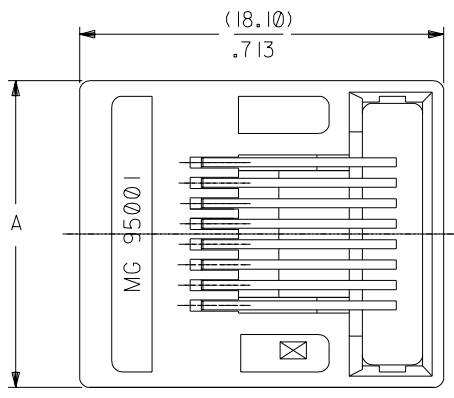
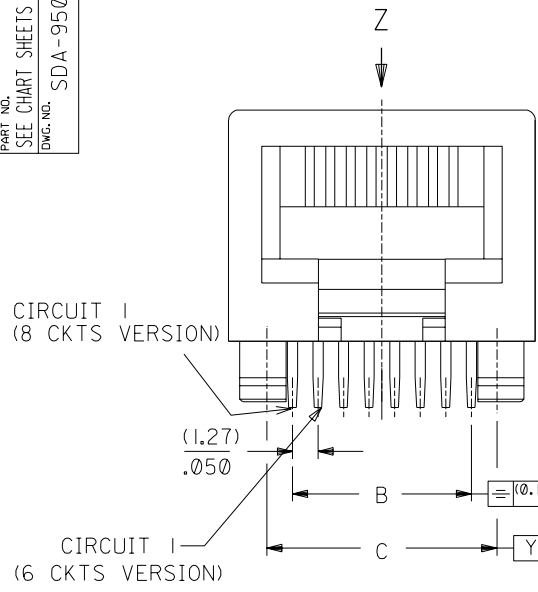


PART NO. SEE CHART SHEETS 4,5,6&8
 DWG. NO. SDA-95001



6 & 8 VERSIONS

8 VERSION SHOWN

NOTES :

1- MATERIAL:

-HOUSING: POLYESTER FIBER GLASS FILLED UL 94-V0, COLOR BLACK.

-TERMINAL: PHOSPHOR BRONZE .

PLATING 1:

POST PLATE (0.00076)/.000030 MIN GOLD IN CONTACT AREA

(0.00190)/.000075 MIN (90/10) TIN/LEAD IN TAIL AREA

BOTH OVER (0.00127)/.000050 MIN NICKEL OVERALL.

PLATING 2:

SAME AS PLATING 1 EXCEPT POST PLATE (0.00127-0.00152)/

.000050-.000060 GOLD IN CONTACT AREA.

PLATING 3:

SAME AS PLATING 1 EXCEPT POST PLATE (0.00038)/.000015 GOLD IN CONTACT AREA.

PLATING 7:

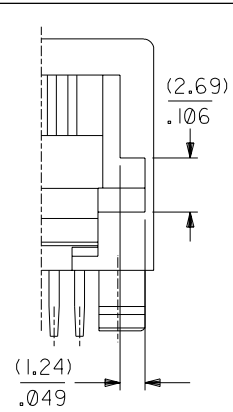
POST PLATE (0.00005)/.000002 MIN GOLD OVER (0.00076)/.000030 MIN

PALLADIUM NICKEL IN CONTACT AREA (0.00190)/.000075 MIN (90/10)

TIN/LEAD IN TAIL AREA BOTH OVER (0.00127)/.000050 MIN NICKEL OVERALL.

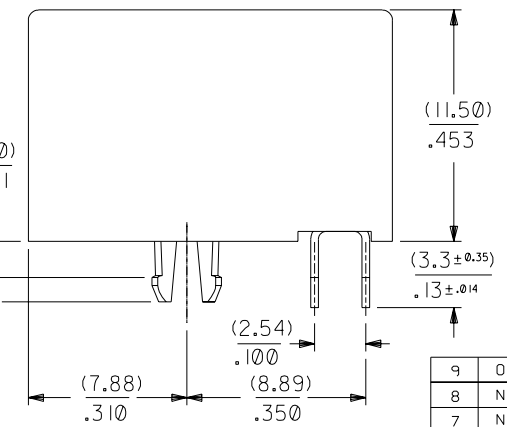
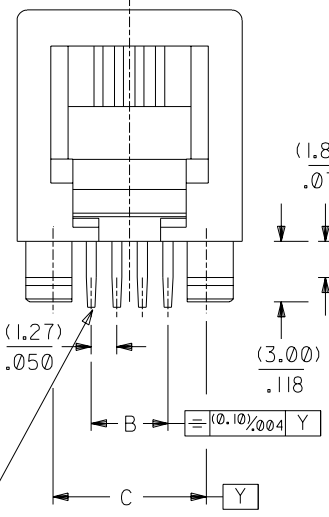
- 2- JACK FOR MATING WITH F.C.C. 68 PLUGS 90075 MOLEX SERIES.
- 3- PRODUCT SPECIFICATION PS-95001.
- 4- APPLICATION SPECIFICATION AS-95001.
- 5- PACKAGING SPECIFICATION PK-95001: STANDARD PACKAGING SHEET 1. SPECIAL PACKAGING SHEET 2. TUBE PACKAGING SHEET 3.

VIEW Z



OPTIONAL KEYING

CIRCUIT 1 (4 CKTS VERSION)



9	0
8	N
7	N
6	N
5	N
4	N
3	0
2	0
1	P
SH.	REV.

ECN MG2003-0096 revision updated 02-09-05 RK	LTR FOR PREVIOUS REVISIONS SEE IRL LIST	THIRD ANGLE PROJECTION		DRWG BY FB CHK'D BY Er APP'D BY JB	SIGN	
		UNLESS OTHERWISE SPECIFIED TOLERANCES: ANGULAR ±2'				
		3 PLACE ± .006 ±	INCH			METRIC
		2 PLACE ± .010 ± 0.15				
DRAFT WHERE APPLICABLE MUST REMAIN WITHIN DIMENSIONS		DESIGN DIMENSION	<input checked="" type="checkbox"/> MM	<input type="checkbox"/> IN.	SCALE 4 : 1	
		EQUIVALENT DIMENSION	<input type="checkbox"/> MM	<input checked="" type="checkbox"/> IN.		

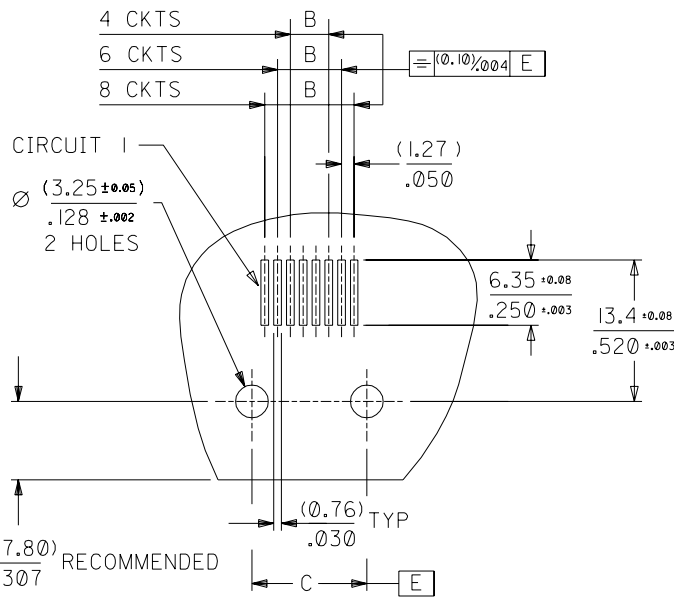
REVISE ONLY ON CAD SYSTEM		CAD/CAM PROJECT NAME	
THIS DRAWING CONTAINS INFORMATION THAT IS PROPRIETARY TO MOLEX INC. & SHOULD NOT BE USED WITHOUT WRITTEN PERMISSION			
TITLE RIGHT ANGLE LOW PROFILE PC JACK 4,6,8 CKTS SIZE THROUGH HOLE VERSION			
MOLEX EUROPE		SHEET NO. DATE	1 OF 9 93/02/24
PART NO. SEE CHART SHEETS 4,5,6&8		DWG NO. SDA-95001	SIZE B

PART NO. SEE CHART SHEETS 4,5&6
 DWG. NO. SDA-95001

DIM. \ TYPE	POS. 4		POS. 6		POS. 8		
	4 CKTS.	4 CKTS.	6 CKTS.	6 CKTS.	4 CKTS.	6 CKTS.	8 CKTS.
A	(11.18) / .440	(13.21) / .520	(13.21) / .520	(15.24) / .600	(15.24) / .600	(15.24) / .600	
C (± 0.05) / $\pm .002$	(7.62) / .300	(10.16) / .400	(10.16) / .400	(11.43) / .450	(11.43) / .450	(11.43) / .450	
B (± 0.05) / $\pm .002$	(3.81) / .150	(3.81) / .150	(6.35) / .250	(3.81) / .150	(6.35) / .250	(8.89) / .350	

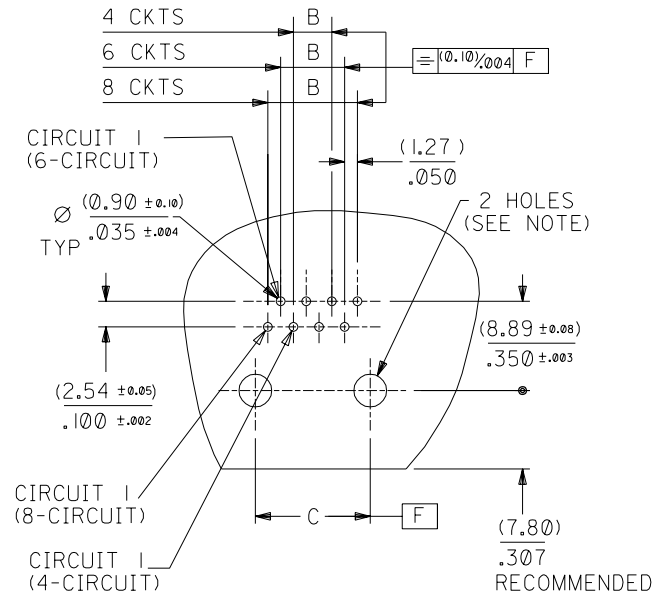
P.C.B. MOUNTING PATTERNS - SEE FROM COMPONENT SIDE

FOR SMT JACK TYPE (SURFACE MOUNT)



FOR ALL VERSIONS, CIRCUIT 1 ALWAYS ON THE LEFT SIDE

FOR STANDARD JACK TYPE (THROUGH HOLE)



NOTE:
 FOR CONVECTION SOLDERING: DIA 3.25±0.05 / .128±.002
 FOR WAVE SOLDERING: DIA 3.20±0.10 / .126±.004

REV.	DESCRIPTION	DATE	BY	CHK'D BY	APP'D BY
0	ECN MC2003-0096 RK 02/09/06				
N	ECN MC2000-0180 HB 99/11/17				
M	ECN MC2000-0043 FB 99/08/11Er				
J	ECN 2084 FB 96/02/26				
G	ECN F30316 CP 93/05/13				
F	FB 93/02/24 ECN F30303				

THIRD ANGLE PROJECTION		REVISE ONLY ON CAD SYSTEM		SH.	REV.
UNLESS OTHERWISE SPECIFIED TOLERANCES: ANGULAR ±2°		DRWG BY	SIGN	CAD/CAM PROJECT NAME	
INCH METRIC		FB		THIS DRAWING CONTAINS INFORMATION THAT IS PROPRIETARY TO MOLEX INC. & SHOULD NOT BE USED WITHOUT WRITTEN PERMISSION	
3 PLACE ± .006 ±		CHK'D BY	SIGN	TITLE	
2 PLACE ± .010 ± 0.15				RIGHT ANGLE LOW PROFILE PC JACK 4,6,8 CKTS SIZE S.M.T. AND STANDARD VERSION	
1 PLACE ± .25		APP'D BY	SIGN	SHEET NO. DATE	
DRAFT WHERE APPLICABLE MUST REMAIN WITHIN DIMENSIONS				3 OF 9 93/02/25	
DESIGN DIMENSION <input checked="" type="checkbox"/> MM <input type="checkbox"/> IN.	SCALE	MOLEX EUROPE		PART NO. DWG NO.	
EQUIVALENT DIMENSION <input type="checkbox"/> MM <input checked="" type="checkbox"/> IN.	2 : 1	SEE CHART SHEETS 4,5&6		SDA-95001	
IF TWO DIMENSIONS ARE SHOWN THE UPPER IS THE DESIGN DIMENSION, LOWER IS SECONDARY				SIZE B	

