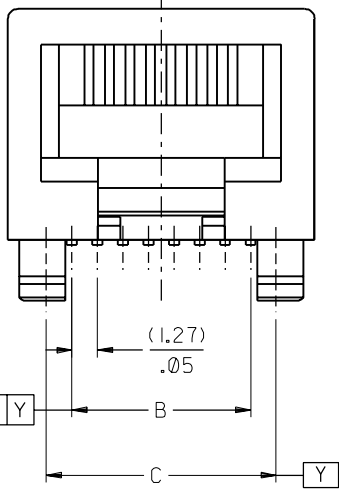
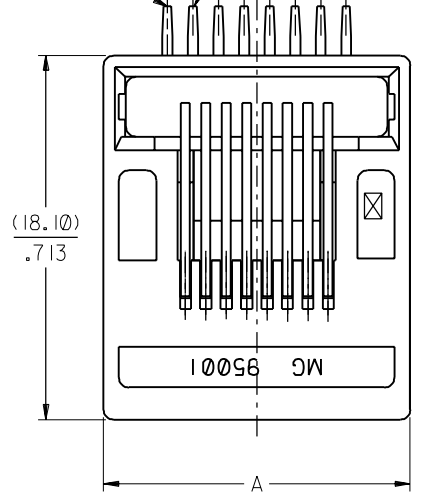


PART NO. SEE CHART SHEETS 4,5&6
 DWG. NO. SDA-95001

6 & 8 VERSIONS

8 VERSION SHOWN

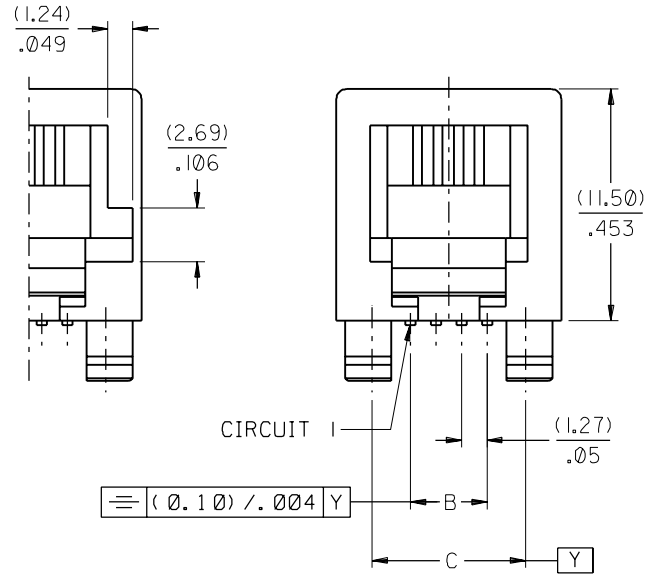
CIRCUIT 1 (8 CKTS VERSION)
 CIRCUIT 1 (6 CKTS VERSION)



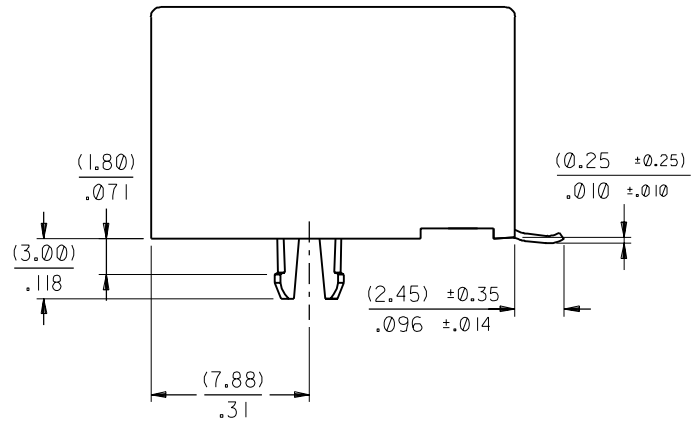
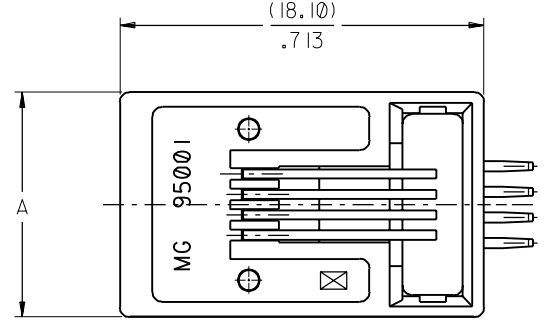
NOTES :

- 1- MATERIAL:
 - HOUSING: POLYAMIDE 4/6 FIBER GLASS FILLED UL 94-V0, COLOR GREY.
 - SPECIAL VERSION COLOR BLACK
- 2- SEE OTHER NOTES SHEET 1

OPTIONAL KEYING



4 VERSION ONLY



THIRD ANGLE PROJECTION		REVISE ONLY ON CAD SYSTEM		SH.	REV.
UNLESS OTHERWISE SPECIFIED TOLERANCES: ANGULAR ± 2°		DRWG BY	SIGN	CAD/CAM PROJECT NAME	
3 PLACE ± .006 ±		CHK'D BY	SIGN	THIS DRAWING CONTAINS INFORMATION THAT IS PROPRIETARY TO MOLEX INC. & SHOULD NOT BE USED WITHOUT WRITTEN PERMISSION	
2 PLACE ± .010 ± 0.15		APP'D BY	SIGN	TITLE	
1 PLACE ± 0.25		JB		RIGHT ANGLE LOW PROFILE PC JACK 4,6,8 CKTS SIZE S.M.T. VERSION	
DRAFT WHERE APPLICABLE MUST REMAIN WITHIN DIMENSIONS		SCALE		SHEET NO. DATE	
DESIGN DIMENSION <input checked="" type="checkbox"/> MM <input type="checkbox"/> IN.		4 : 1		2 OF 9 93/02/24	
EQUIVALENT DIMENSION <input type="checkbox"/> MM <input checked="" type="checkbox"/> IN.		PART NO.		DWG NO.	
IF TWO DIMENSIONS ARE SHOWN THE UPPER IS THE DESIGN DIMENSION, LOWER IS SECONDARY		SEE CHART SHEETS 4,5&6		SDA-95001	
		SIZE		B	

SPECIAL PACKAGING TUBE, SEE PACKAGING SPEC PK95001 SHEET 3

PART NO FOR JACK ASSEMBLY
STANDARD VERSION

PART NO FOR JACK ASSEMBLY
S.M.T. VERSION

HOUSING SIZE	LOADED CONTACTS	PLATING	POLYESTER FIBER GLASS FILED 94V0, COLOR BLACK.						POLYAMIDE 4/6 FIBER GLASS FILED 94V0 COLOR GREY						SPECIAL VERSION				
			NO KEY		KEY		TOOLED	TOOLED	NO KEY		KEY		TOOLED	TOOLED	POLYESTER BLACK LOW TEMP.				
			NOT RIBBED	TOOLED	NOT RIBBED	TOOLED			NOT RIBBED	TOOLED	NOT RIBBED	TOOLED			NOT RIBBED	TOOLED			
4	4	1	95001-1401	X	95001-1402					95001-5441	X	95001-5442			95001-5449	X			
		2	95001-2401	X	95001-2402					95001-6441	X	95001-6442			95001-6449	X			
		3	95001-3401	X	95001-3402					95001-7441	X	95001-7442			95001-7449	X			
		7	95001-4401	X															
6	4	1	95001-1601	X	95001-1602					95001-5641	X	95001-5642			95001-5649	X			
		2	95001-2601	X	95001-2602					95001-6641	X	95001-6642			95001-6649	X			
		3	95001-3601	X	95001-3602					95001-7641	X	95001-7642			95001-7649	X			
		4																	
6	6	1	95001-1611	X	95001-1612					95001-5661	X	95001-5662			95001-5669	X			
		2	95001-2611	X	95001-2612					95001-6661	X	95001-6662			95001-6669	X			
		3	95001-3611	X	95001-3612					95001-7661	X	95001-7662			95001-7669	X			
		7	95001-4611	X															
8	4	1	95001-1801		95001-1802					95001-5841		95001-5842			95001-5849				
		2	95001-2801		95001-2802					95001-6841		95001-6842			95001-6849		95001-2843	X	
		3	95001-3801		95001-3802					95001-7841		95001-7842			95001-7849				
		4																	
8	6	1	95001-1811	X	95001-1812					95001-5861	X	95001-5862			95001-5869	X			
		2	95001-2811	X	95001-2812					95001-6861	X	95001-6862			95001-6869	X		95001-2863	X
		3	95001-3811	X	95001-3812					95001-7861	X	95001-7862			95001-7869	X			
		4																	
8	8	1	95001-1821	X	95001-1822	X				95001-5881	X	95001-5882	X		95001-5889	X			
		2	95001-2821	X	95001-2822	X				95001-6881	X	95001-6882	X		95001-6889	X			
		3	95001-3821	X	95001-3822	X				95001-7881	X	95001-7882	X		95001-7889	X			
		4																	

TOOLED	<input checked="" type="checkbox"/>
NOT TOOLED	<input type="checkbox"/>

ECN MC2000-0180
HB 99/11/17

ECN MG 1998-2712
Er 98-02-11

N M3

LTR	FOR PREVIOUS REVISIONS SEE PART LIST	UNLESS OTHERWISE SPECIFIED TOLERANCES: ANGULAR ±2°	DRWG BY	SIGN
	REVISIONS	3 PLACE ± N.A. ±	GP	
		2 PLACE ± N.A. ± N.A.	CHK'D BY	SIGN
		1 PLACE ± N.A. ± N.A.	FB	
	DRAFT WHERE APPLICABLE MUST REMAIN WITHIN DIMENSIONS	APP'D BY	SIGN	
	DESIGN DIMENSION <input type="checkbox"/> MM <input type="checkbox"/> IN.	JB		
	EQUIVALENT DIMENSION <input type="checkbox"/> MM <input type="checkbox"/> IN.	SCALE		
	IF TWO DIMENSIONS ARE SHOWN THE UPPER IS THE DESIGN DIMENSION, LOWER IS SECONDARY	N.A.		

REVISE ONLY ON CAD SYSTEM		SH.	REV.
CAD/CAM PROJECT NAME		THIS DRAWING CONTAINS INFORMATION THAT IS PROPRIETARY TO MOLEX INC. & SHOULD NOT BE USED WITHOUT WRITTEN PERMISSION	
TITLE			
LOW PROFILE R/A ENTRY JACK STANDARD & SMT VERSION TUBE PACKAGING			
molex MOLEX EUROPE		SHEET NO.	DATE
		6 OF 9	93/05/10
PART NO.	SEE CHART	DWG NO.	SDA-95001
		SIZE	B