

NOTES :

1- MATERIAL:

- HOUSING: POLYESTER FIBER GLASS FILLED UL 94-V0 COLOR BLACK.
- TERMINAL: PHOSPHOR BRONZE.

PLATING 2:

POST PLATE (0.00127-0.00152)/.000050-.000060 GOLD IN CONTACT AREA. (0.00190)/.000075 MIN. PURE TIN IN TAIL AREA BOTH OVER (0.00127)/.000050 MIN. NICKEL OVERALL.

PLATING 7: ONLY ON REQUEST

POST PLATE 0.00005/.000002 MIN GOLD OVER 0.000763 .000030 MIN PALLADIUM NICKEL IN CONTACT AREA. 0.00190/.000075 MIN PURE TIN IN TAIL AREA. BOTH OVER 0.00127/.000050 MIN NICKEL OVERALL:

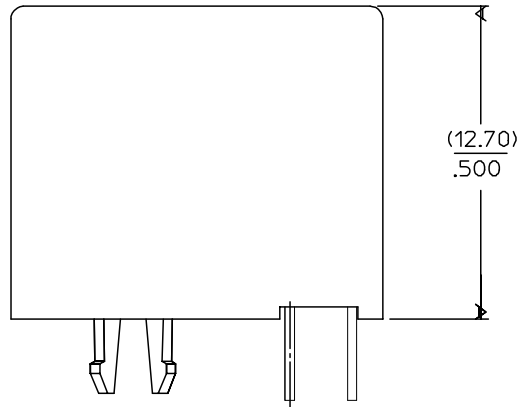
2- JACK FOR MATING WITH F.C.C. 68 PLUGS 90075 MOLEX SERIES.

3- PRODUCT SPECIFICATION PS-95003.

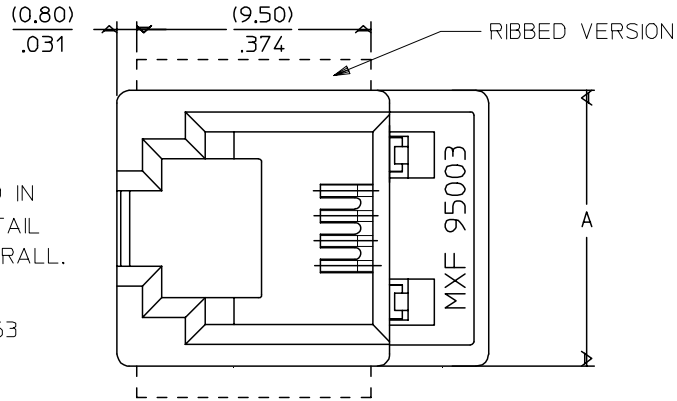
4- APPLICATION SPECIFICATION AS-95001.

5- PACKAGING SPECIFICATION PK-95003:

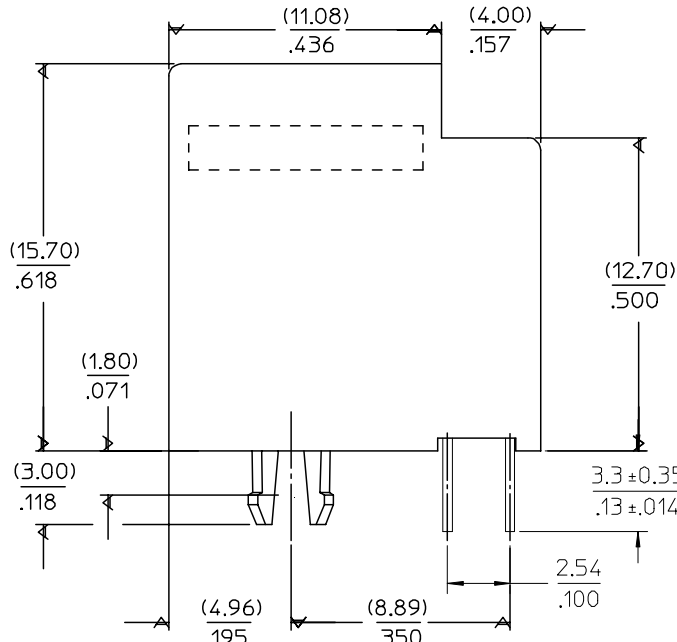
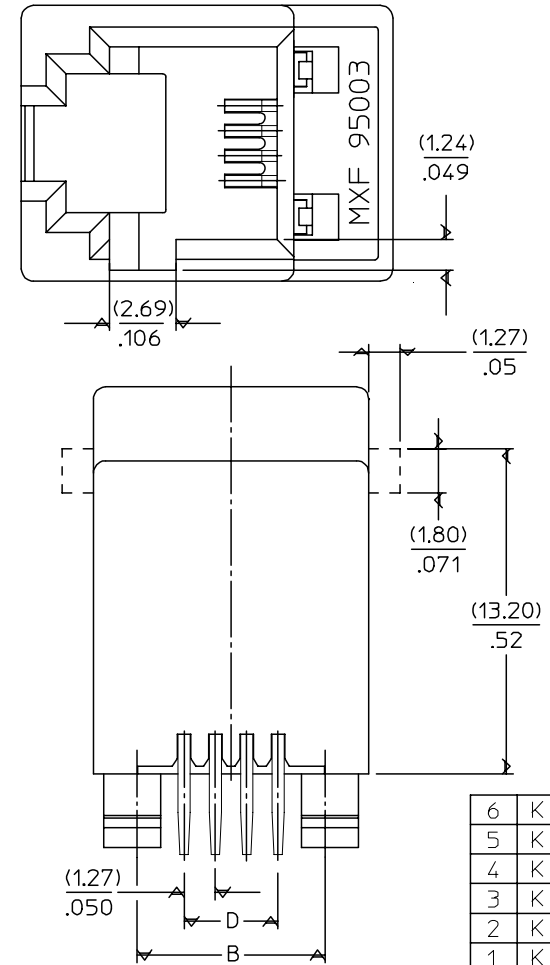
- STANDARD PACKAGING SHEET 1.
- TUBE PACKAGING FOR SMT VERSION SHEET 2.
- TUBE PACKAGING FOR THROUGH HOLE VERSION SHEET 3.



SHORT VERSION



OPTIONAL KEYING



6	K
5	K
4	K
3	K
2	K
1	K

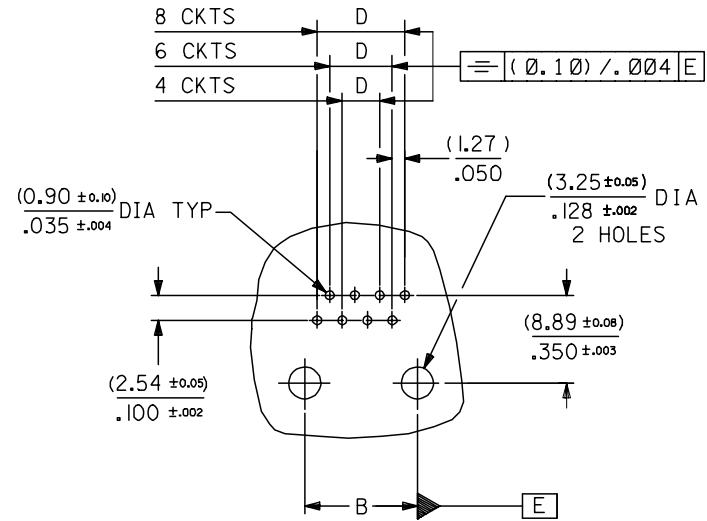
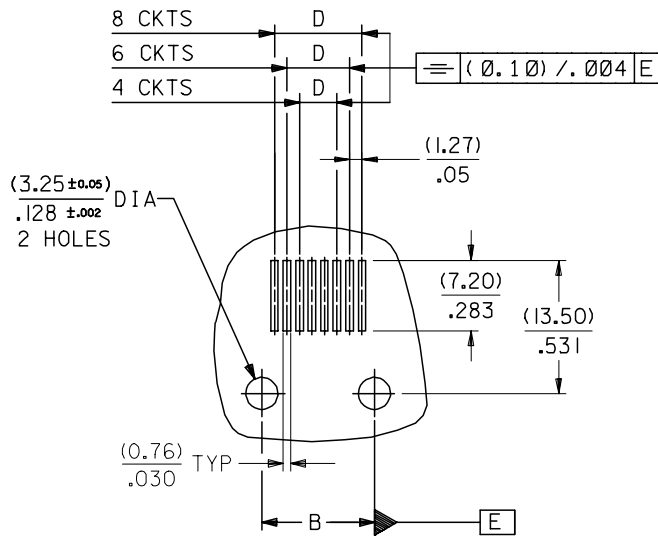
ENTER DESCRIPTION EC NO: MG2005-0119 DRAWN:KNOLLER 2004/10/06 CHKD:FCARABET 2004/10/06 APPR:KNOLLER 2004/10/11	DESCRIPTION REV	QUALITY SYMBOLS ▽=0 ▽C=0	GENERAL TOLERANCES (UNLESS SPECIFIED)		DIMENSION STYLE MM/IN	SCALE 5:1	DESIGN UNITS METRIC	THIRD ANGLE PROJECTION	
			4 PLACES ± --- ± ---	3 PLACES ± --- ± .006	2 PLACES ± 0.15 ± .010	1 PLACE ± 0.25 ± ---	ANGULAR ± .5 °	DRAWN BY GP	DATE 95/05/15
DRAFT WHERE APPLICABLE MUST REMAIN WITHIN DIMENSIONS					APPROVED BY	DATE 95/05/15	MOLEX INCORPORATED		
					MATERIAL NO.	DOCUMENT NO. SDA-95003-F	SHEET NO. 1 OF 6		
					SIZE A3	THIS DRAWING CONTAINS INFORMATION THAT IS PROPRIETARY TO MOLEX INCORPORATED AND SHOULD NOT BE USED WITHOUT WRITTEN PERMISSION			

DIM. \ TYPE	POS. 4		POS. 6		POS. 8	
	4 CKTS.	4 CKTS.	6 CKTS.	4 CKTS.	6 CKTS.	8 CKTS.
A	(11.18) / .440	(13.21) / .520	(13.21) / .520	(15.24) / .600	(15.24) / .600	(15.24) / .600
B (± 0.05) / ± 0.002	(7.62) / .300	(10.16) / .400	(10.16) / .400	(11.43) / .450	(11.43) / .450	(11.43) / .450
D (± 0.05) / ± 0.002	(3.81) / .150	(3.81) / .150	(6.35) / .250	(3.81) / .150	(6.35) / .250	(8.89) / .350

P.C.B. MOUNTING PATTERNS - SEE FROM COMPONENT SIDE

FOR SMT JACK (SURFACE MOUNT)

FOR STANDARD JACK (THROUGH HOLE)



ENTER DESCRIPTION EC NO: MG2005-0119 DRAWN: KNOLLER 2004/10/06 CHKD: FCARABET 2004/10/06 APPR: KNOLLER 2004/10/11	QUALITY SYMBOLS ▽=0 ▽C=0	GENERAL TOLERANCES (UNLESS SPECIFIED)		DIMENSION STYLE MM/IN	SCALE 2:1	DESIGN UNITS METRIC	THIRD ANGLE PROJECTION	
		4 PLACES \pm --- \pm --- 3 PLACES \pm --- \pm .006 2 PLACES \pm 0.15 \pm .010 1 PLACE \pm 0.25 \pm --- ANGULAR \pm .5 °	DRAWN BY GP	DATE 95/05/15	TITLE LOW PROFILE T/E JACK			
		DRAFT WHERE APPLICABLE MUST REMAIN WITHIN DIMENSIONS	CHECKED BY DATE	APPROVED BY DATE	MOLEX INCORPORATED			
		SEE SHT. 4, 5	MATERIAL NO. DOCUMENT NO. SDA-95003-F	SHEET NO. 3 OF 6	THIS DRAWING CONTAINS INFORMATION THAT IS PROPRIETARY TO MOLEX INCORPORATED AND SHOULD NOT BE USED WITHOUT WRITTEN PERMISSION			

TRAY PACKAGING, SEE PACKAGING SPEC PK95003 SHEET 1

PART NO FOR JACK ASSEMBLY THROUGH HOLE STANDARD VERSION PART NO FOR JACK ASSEMBLY THROUGH HOLE SHORT VERSION PART NO FOR JACK ASSEMBLY S.M.T. SHORT VERSION

HOUSING SIZE	LOADED CONTACTS	PLATING	POLYESTER FIBER GLASS FILED 94VO COLOR BLACK					POLYESTER FIBER GLASS FILED 94VO COLOR BLACK					POLYAMIDE 4/6 FIBER GLASS FILED 94VO COLOR GREY					POLYAMIDE 4/6 FIBER GLASS FILED 94VO COLOR BLACK																										
			NO KEY	TOOLED	KEY	TOOLED	TOOLED	NO KEY	TOOLED	KEY	TOOLED	TOOLED	NO KEY	TOOLED	KEY	TOOLED	TOOLED	NO KEY	TOOLED	KEY	TOOLED	TOOLED																						
			NO RIB	NO RIB	NO RIB	NO RIB	NO RIB	NO RIB	NO RIB	NO RIB	NO RIB	NO RIB	NO RIB	NO RIB	NO RIB	NO RIB	NO RIB	NO RIB	NO RIB	NO RIB	NO RIB	NO RIB																						
4	4	2	95003-2441	X	95003-2442						95003-2444		95003-2445									95003-6444		95003-6445									95003-6454		95003-6455									
6	4	2	95003-2641	X	95003-2642						95003-2644		95003-2645										95003-6644		95003-6645									95003-6654		95003-6655								
6	6	2	95003-2661	X	95003-2662						95003-2664	X	95003-2665										95003-6664	X	95003-6665									95003-6674	X	95003-6675								
8	4	2	95003-2841		95003-2842						95003-2844		95003-2845										95003-6844		95003-6845									95003-6854		95003-6855								
8	6	2	95003-2861		95003-2862						95003-2864		95003-2865										95003-6864		95003-6865									95003-6874		95003-6875								
8	8	2	95003-2881	X	95003-2882	X					95003-2884		95003-2885										95003-6884		95003-6885									95003-6894		95003-6895								

TOOLED	X
NOT TOOLED	

ENTER DESCRIPTION EC NO: MG2005-0119 2004/10/06 DRAWN: KNOLLER 2004/10/06 CHKD: FCARABET 2004/10/06 APPR: KNOLLER 2004/10/11	QUALITY SYMBOLS ▽=0 ▽=0	GENERAL TOLERANCES (UNLESS SPECIFIED) mm INCH 4 PLACES ±--- ±--- 3 PLACES ±--- ±--- 2 PLACES ±--- ±--- 1 PLACE ±--- ±--- ANGULAR ±---°	DIMENSION STYLE MM/IN DRAWN BY GP DATE 95/05/15 CHECKED BY DATE APPROVED BY DATE	SCALE --- DESIGN UNITS METRIC THIRD ANGLE PROJECTION	TITLE LOW PROFILE T/E JACK THROUGH HOLE STD. VERS. THROUGH H. SMT SHORT V. MOLEX INCORPORATED
	DRAFT WHERE APPLICABLE MUST REMAIN WITHIN DIMENSIONS	SEE CHART	MATERIAL NO. SDA-95003-F DOCUMENT NO. SDA-95003-F	SHEET NO. 4 OF 6	THIS DRAWING CONTAINS INFORMATION THAT IS PROPRIETARY TO MOLEX INCORPORATED AND SHOULD NOT BE USED WITHOUT WRITTEN PERMISSION