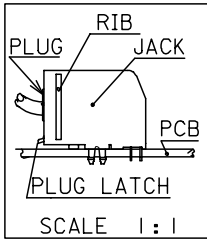


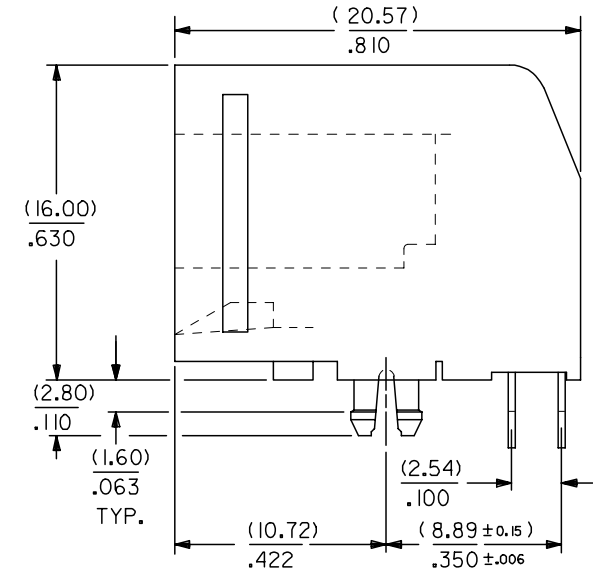
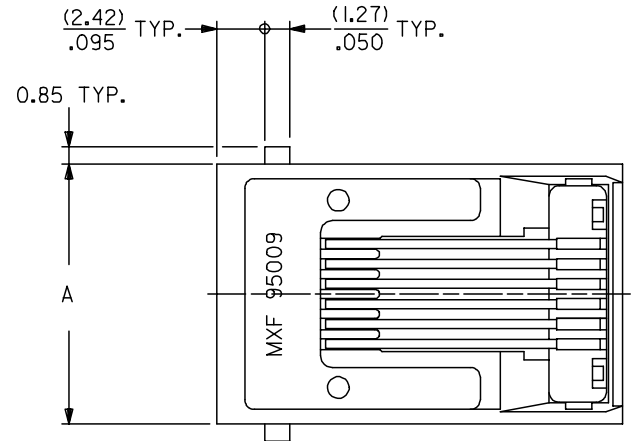
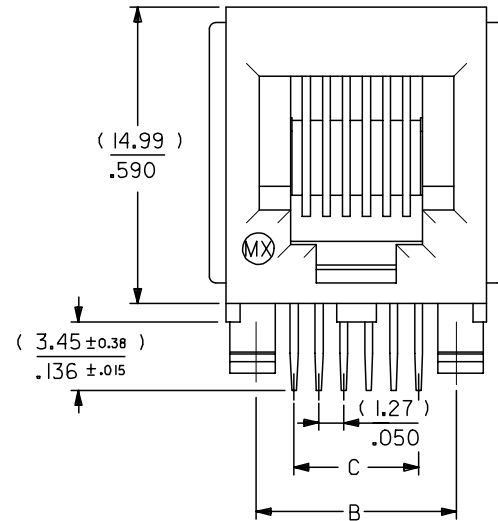
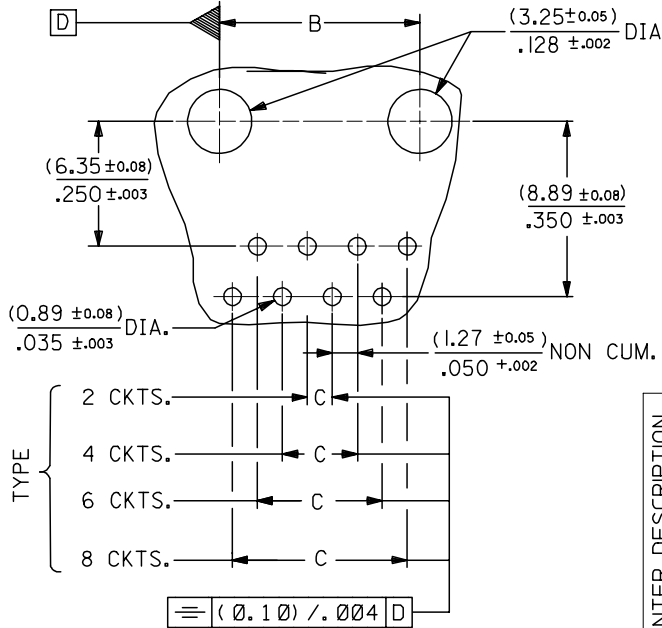
**NOTES :**

- 1- MATERIAL : POLYESTER FIBER GLASS FILED 94-V-0  
COLOR BLACK .
- TERMINAL : PHOSPHOR BRONZE .
- PLATINGS : FINISH 2  
POST PLATE (0.00127-0.00152)/.000050-.000060  
GOLD IN CONTACT AREA .  
(0.00190)/.000075 MIN. PURE TIN IN TAIL AREA BOTH  
OVER (0.00127)/.000050 MIN. NICKEL OVERALL .



- 2- PC BOARD THICKNESS : (1.57) / .062 .
- 3- JACK FOR MATING WITH F.C.C. 68 PLUGS 90075 MOLEX SERIES .
- 4- PRODUCT SPECIFICATION PS-95009.
- 5- APPLICATION SPECIFICATION AS-95001.
- 6- PACKAGING SPECIFICATION PK-95029.

**MOUNTING HOLE PATTERNS**  
(SEE FROM COMPONENT SIDE)



ENTER DESCRIPTION EC NO: MG2005-0155 DRAWN: SEBASTI 2004/11/12 CHKD: FCARABET 2004/11/15 APPR: KNOLLER 2004/11/15	QUALITY SYMBOLS ▽=0 ▽=0	GENERAL TOLERANCES (UNLESS SPECIFIED)		DIMENSION STYLE MM/IN	SCALE 4:1	DESIGN UNITS METRIC	THIRD ANGLE PROJECTION
		4 PLACES ± --- ± ---	3 PLACES ± --- ± .010	2 PLACES ± 0.25 ± .014	1 PLACE ± 0.35 ± ---	ANGULAR ± 1/2°	DRAWN BY DP
DRAFT WHERE APPLICABLE MUST REMAIN WITHIN DIMENSIONS	SIZE A3	SEE CHART SHT 2		MATERIAL NO.	DOCUMENT NO. SDA-95009-F	MOLEX INCORPORATED	
		THIS DRAWING CONTAINS INFORMATION THAT IS PROPRIETARY TO MOLEX INCORPORATED AND SHOULD NOT BE USED WITHOUT WRITTEN PERMISSION		SHEET NO. 1 OF 4			

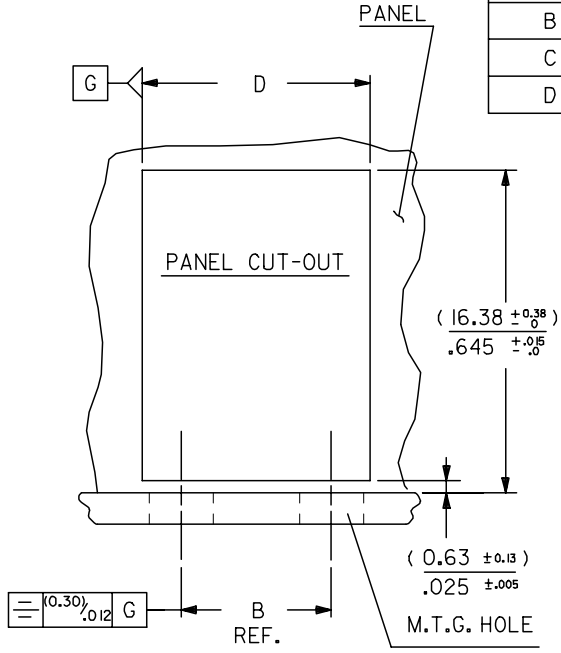
PART NUMBERS FOR JACK I RIB .

	TYPE	POS. 4	TOOLED	POS. 6	TOOLED	POS. 6	TOOLED	POS. 6	TOOLED	POS. 8	TOOLED	POS. 8	TOOLED	POS. 8	TOOLED	
		PLATING	4 CKTS.		2 CKTS.		4 CKTS.		6 CKTS.		4 CKTS.		6 CKTS.		8 CKTS.	
		FINISH 2 <small>MOLEX STANDARD</small>	95009-2441	X	95009-2621		95009-2641	X	95009-2661	X	95009-2841		95009-2861	X	95009-2881	X

PART NUMBERS FOR JACK NO RIB.

	TYPE	POS. 4	TOOLED	POS. 6	TOOLED	POS. 6	TOOLED	POS. 6	TOOLED	POS. 8	TOOLED	POS. 8	TOOLED	POS. 8	TOOLED	
		PLATING	4 CKTS.		2 CKTS.		4 CKTS.		6 CKTS.		4 CKTS.		6 CKTS.		8 CKTS.	
		FINISH 2 <small>MOLEX STANDARD</small>	95009-2447	X	95009-2627		95009-2647	X	95009-2667	X	95009-2847		95009-2867	X	95009-2887	X

DIM.	TYPE	POS. 4	POS. 6				POS. 8		
		4 CKTS.	2 CKTS.	4 CKTS.	6 CKTS.	4 CKTS.	6 CKTS.	8 CKTS.	
A		(11.18) / .440	(13.21) / .520	(13.21) / .520	(13.21) / .520	(15.24) / .600	(15.24) / .600	(15.24) / .600	
B	(±0.10)/±.004	(7.62) / .300	(10.16) / .400	(10.16) / .400	(10.16) / .400	(11.43) / .450	(11.43) / .450	(11.43) / .450	
C	(±0.10)/±.004	(3.81) / .150	(1.27) / .050	(3.81) / .150	(6.35) / .250	(3.81) / .150	(6.35) / .250	(8.89) / .350	
D	( <sup>+0.38</sup> / <sub>0</sub> )/+ <sub>0</sub> .015	(11.56) / .455	(13.59) / .535	(13.59) / .535	(13.59) / .535	(15.62) / .615	(15.62) / .615	(15.62) / .615	



ENTER DESCRIPTION EC NO: MG2005-0155 2004/11/12 DRWN: CEBASTI 2004/11/15 CHKD: FCARABET 2004/11/15 APPR: KNOLLER 2004/11/15	QUALITY SYMBOLS	GENERAL TOLERANCES (UNLESS SPECIFIED)	DIMENSION STYLE	SCALE	DESIGN UNITS	THIRD ANGLE PROJECTION
	$\nabla=0$ $\sphericalcap=0$	mm    INCH 4 PLACES ± --- ± --- 3 PLACES ± --- ± .010 2 PLACES ± 0.25 ± .014 1 PLACE ± 0.35 ± --- ANGULAR ± 1/2°	MM/IN	4:1	METRIC	
			DRAWN BY DATE	TITLE		
			DP 87/04/22	FLUSH MOUNT RIGHT ANGLE MODULAR JACK ASSEMBLY THROUGH HOLE VERSION		
		CHECKED BY DATE	MOLEX MOLEX INCORPORATED			
		APPROVED BY DATE	DOCUMENT NO. SDA-95009-F			
		MATERIAL NO.	SHEET NO. 2 OF 4			
		DRAFT WHERE APPLICABLE MUST REMAIN WITHIN DIMENSIONS	THIS DRAWING CONTAINS INFORMATION THAT IS PROPRIETARY TO MOLEX INCORPORATED AND SHOULD NOT BE USED WITHOUT WRITTEN PERMISSION			