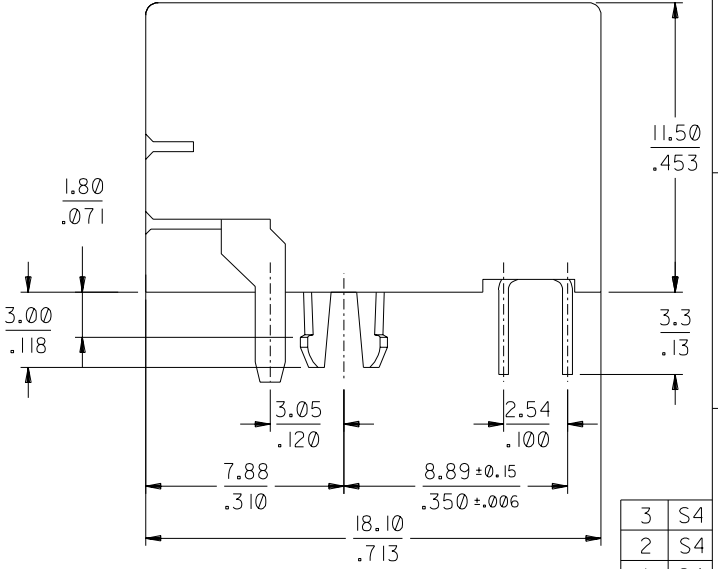
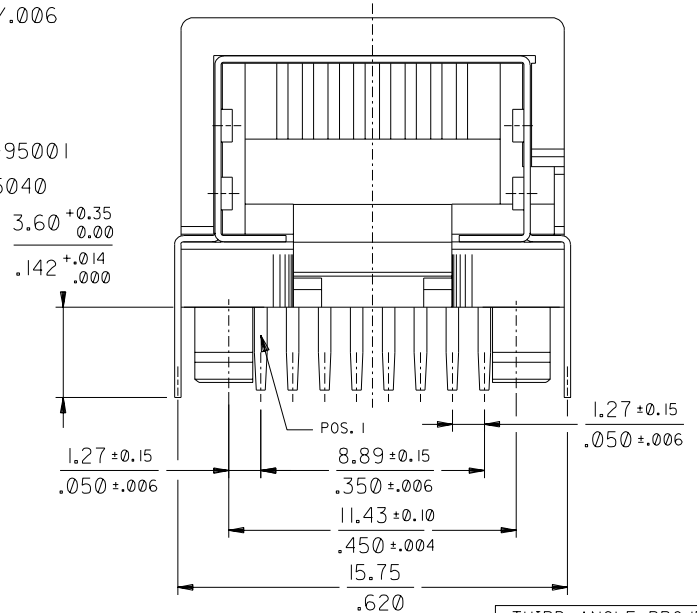
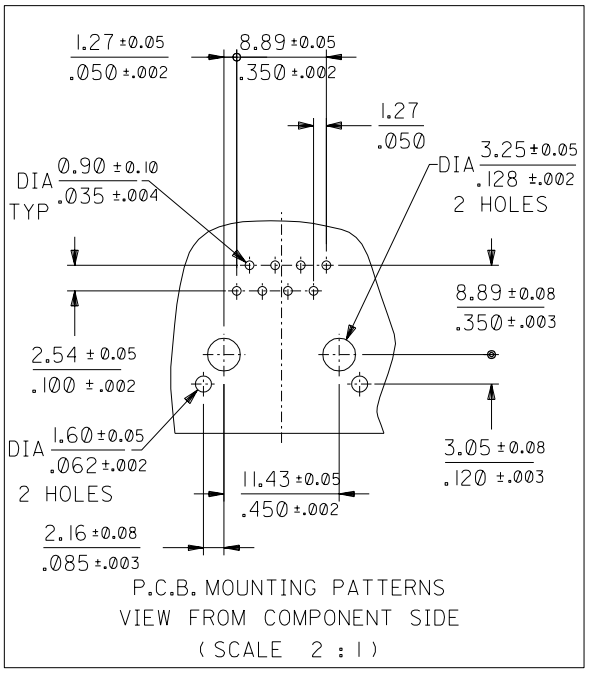
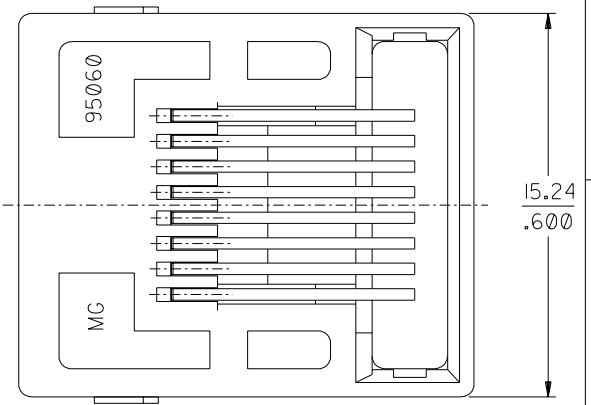


PART NO. SEE CHART
 DWG. NO. SDA-95040

PART NUMBER	VERSION	PRODUCT SPECIFICATION	PLATING
95040-2881	STANDARD	PS 95040	2
95040-2889	HIGH TEMPERATURE	PS-95040-688	2
95040-4881	HIGH MATING CYCLES	PS-95040-001	7

NOTES:

- 1- MATERIAL :
- HOUSING : -THROUGH HOLE STANDARD AND HIGH MATING CYCLE VERSION:
 POLYESTER GLASS FILLED UL 94V0. COLOR: BLACK
 - SURFACE MOUNT AND THROUGH HOLE HIGH TEMPERATURE VERSION: POLYAMIDE 4/6 GLASS FILLED UL 94V0. COLOR: BLACK.
 - TERMINAL : PHOSPHOR BRONZE PLATED WITH :
 PLATING 2 : 0.00127/.000050 MIN GOLD IN CONTACT AREA,
 0.00190/.000075 MIN (90/10) TIN/LEAD IN TAIL AREA,
 BOTH OVER 0.00127/.000050 MIN NICKEL OVERALL
 - PLATING 7 : POST PLATE 0.00005/.000002 MIN GOLD OVER 0.00076/.000030 MIN PALLADIUM NICKEL IN CONTACT AREA 0.00190/.000075 MIN (90/10) TIN/LEAD IN TAIL AREA BOTH OVER 0.00127/.000050 MIN NICKEL OVERALL.
 - SHIELD : BRASS PLATED WITH 0.0020/.000078 MIN. TIN/LEAD
- 2- P.C. BOARD THICKNESS : 1.57/.062 ± 0.15/.006
- 3- JACK FOR MATING WITH F.C.C. 68 PLUGS 95043 MOLEX SERIES.
- 4- PRODUCT SPECIFICATION: SEE CHART
- 5- APPLICATION SPECIFICATION: MOLEX AS-95001
- 6- PACKAGING SPECIFICATION: MOLEX PK-95040



SH.	REV.
3	S4
2	S4
1	S4

THIRD ANGLE PROJECTION				REVISE ONLY ON CAD SYSTEM			
UNLESS OTHERWISE SPECIFIED TOLERANCES: ANGULAR ± 2'				CAD/CAM PROJECT NAME			
3 PLACE ± .010 ±				THIS DRAWING CONTAINS INFORMATION THAT IS PROPRIETARY TO MOLEX INC. & SHOULD NOT BE USED WITHOUT WRITTEN PERMISSION			
2 PLACE ± .014 ± 0.25				TITLE			
1 PLACE ± ± 0.35				RIGHT ANGLE LOW PROFILE SHIELDED P.C. JACK (THROUGH HOLE VERSION)			
DRAFT WHERE APPLICABLE MUST REMAIN WITHIN DIMENSIONS				MOLEX MOLEX EUROPE			
DESIGN DIMENSION <input checked="" type="checkbox"/> MM <input type="checkbox"/> IN.				SHEET NO. DATE			
EQUIVALENT DIMENSION <input type="checkbox"/> MM <input checked="" type="checkbox"/> IN.				1 OF 3 89/04/12			
IF TWO DIMENSIONS ARE SHOWN THE UPPER IS THE DESIGN DIMENSION, LOWER IS SECONDARY				PART NO. SEE CHART			
SCALE 5 : 1				DWG. NO. SDA-95040			
SIZE B							