

FEATURES AND SPECIFICATIONS

Features and Benefits

- High reliability, square contact
- EMI/RFI protection
- ISDN standard
- 0.10mm coplanarity

Reference Information

Product Specification: PS-95040
 Packaging: Anti-static blister reel
 Mates With: FCC 68 plugs
 Designed In: Millimeters

Electrical

Voltage: 125V
 Current: 1.5A
 Contact Resistance: 20mΩ max.
 Dielectric Withstanding Voltage: 1000V
 Insulation Resistance: 500 MΩ min.
 Shielding Effectiveness: 20 dB min.

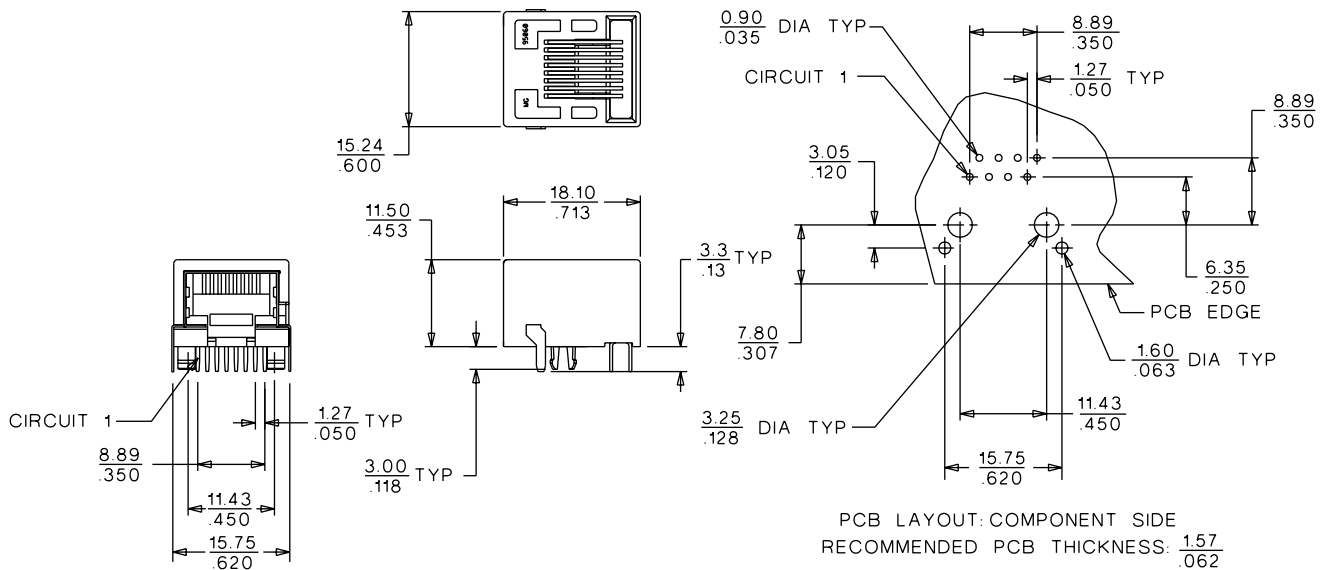
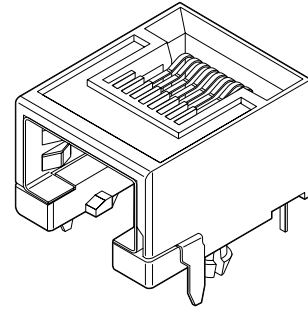
Physical

Housing: Black polyamide, UL 94V-0
 Contact: Phosphor Bronze
 Plating: 1.27 to 1.52μm (50 to 60μ") Gold in contact area, 1.90μm (75μ") min. (90/10) Tin/Lead in tail area both over Nickel overall
 Temperature: -40 to +80°C

molex® Modular Jack

95040

**Right Angle
 Low Profile, Internal Shield**



ORDERING INFORMATION

Circuits	Loaded Contacts	Order No.	Key
8	8	• 95040-2881	No

• US Standard Product, available through Molex franchised distributors