

PART NUMBER	VERSION	PRODUCT SPECIFICATION	PLATING
95040-2881	STANDARD	PS 95040	2
95040-2889	HIGH TEMPERATURE	PS-95040-688	2
95040-4881	HIGH MATING CYCLES	PS-95040-001	7

**NOTES:**

1- MATERIAL :

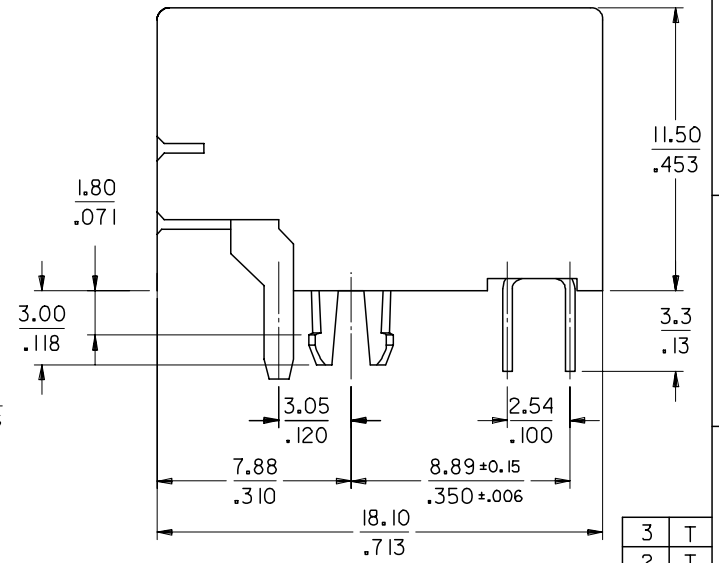
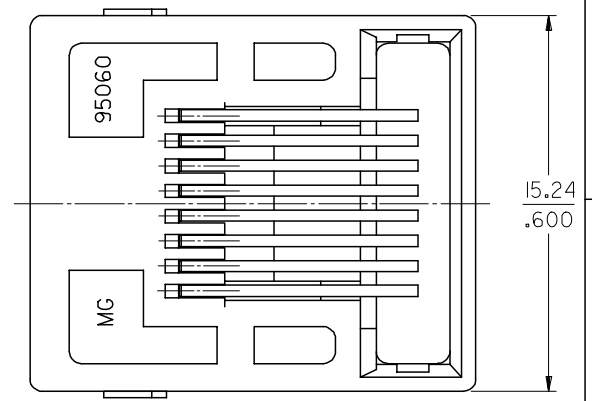
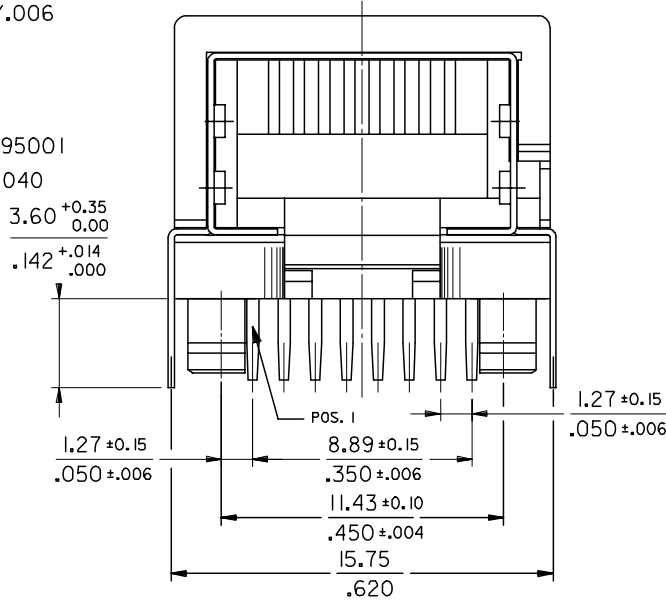
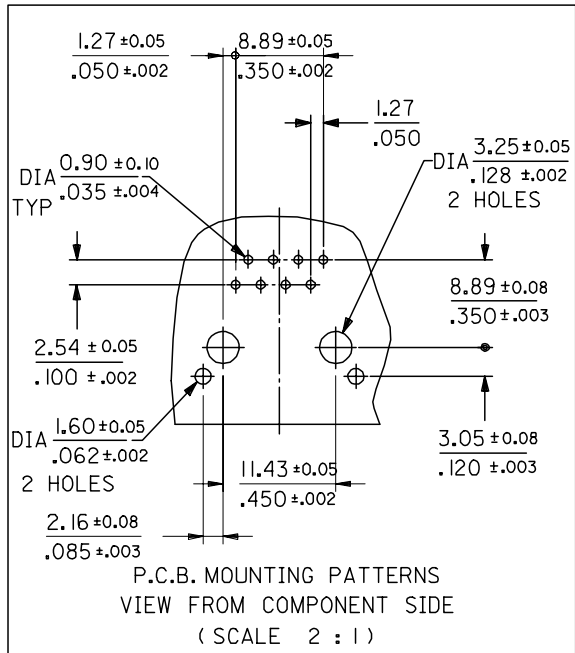
HOUSING : -THROUGH HOLE STANDARD AND HIGH MATING CYCLE VERSION:  
 POLYESTER GLASS FILLED UL 94V0. COLOR: BLACK  
 -SURFACE MOUNT AND THROUGH HOLE HIGH TEMPERATURE VERSION:  
 POLYAMIDE 4/6 GLASS FILLED UL 94V0. COLOR: BLACK

TERMINAL : PHOSPHOR BRONZE PLATED WITH :

PLATING 2 : 0.00127/.000050 MIN GOLD IN CONTACT AREA,  
 0.00190/.000075 MIN TIN IN TAIL AREA,  
 BOTH OVER 0.00127/.000050 MIN NICKEL OVERALL  
 PLATING 7 : POST PLATE 0.00005/.000002 MIN GOLD OVER 0.00076/.000030 MIN  
 PALLADIUM NICKEL IN CONTACT AREA 0.00190/.000075 MIN  
 TIN IN TAIL AREA BOTH OVER 0.00127/.000050 MIN NICKEL OVERALL.

SHIELD : BRASS PLATED WITH 0.0020/.000078 MIN. TIN

- 2- P.C. BOARD THICKNESS : 1.57/.062 ±0.15/.006
- 3- JACK FOR MATING WITH F.C.C. 68 PLUGS  
95043 MOLEX SERIES.
- 4- PRODUCT SPECIFICATION: SEE CHART
- 5- APPLICATION SPECIFICATION: MOLEX AS-95001
- 6- PACKAGING SPECIFICATION: MOLEX PK-95040



EC NO: MG2004-0576 DRAWN:KNOLLER 2004/06/30 CHKD:FCARABE 2004/06/30 APPR:KNOLLER 2004/06/30	QUALITY SYMBOLS	GENERAL TOLERANCES (UNLESS SPECIFIED)	SCALE 5:1	DESIGN UNITS METRIC	THIRD ANGLE PROJECTION	REVISE ON CAD ONLY
	DESCRIPTION	mm INCH	DIMENSION STYLE MM/IN	TITLE	RIGHT ANGLE LOW PROFILE SHIELDED PC JACK (THROUGH HOLE VERSION)	
REV	▽ = 0	4 PLACES ± --- ± ---	DRAWN BY CB	DATE 89/04/12	MOLEX INCORPORATED	
	∇ = 0	3 PLACES ± --- ± .01	CHECKED BY TB	DATE 89/04/12	MATERIAL NO. SEE CHART	DOCUMENT NO. SDA-95040
		2 PLACES ± 0.25 ± .014	APPROVED BY JB	DATE 89/04/12	SHEET NO. 1 OF 3	
		1 PLACE ± 0.35 ± ---	THIS DRAWING CONTAINS INFORMATION THAT IS PROPRIETARY TO MOLEX INCORPORATED AND SHOULD NOT BE USED WITHOUT WRITTEN PERMISSION			
		ANGULAR ±1/2°	A3			
		DRAFT WHERE APPLICABLE				
		MUST REMAIN WITHIN DIMENSIONS				