

PART NO. SEE CHART
 DRWG. NO. SDA-95122

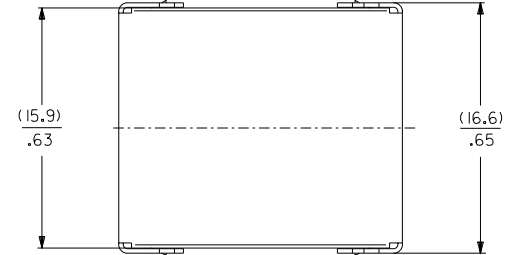
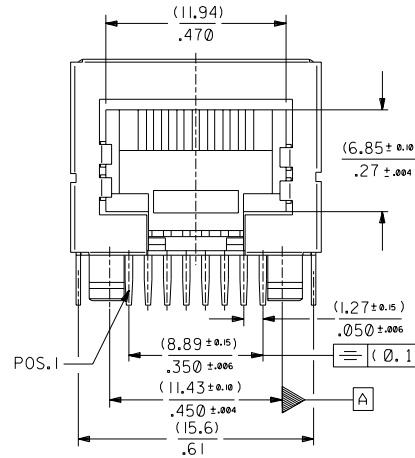
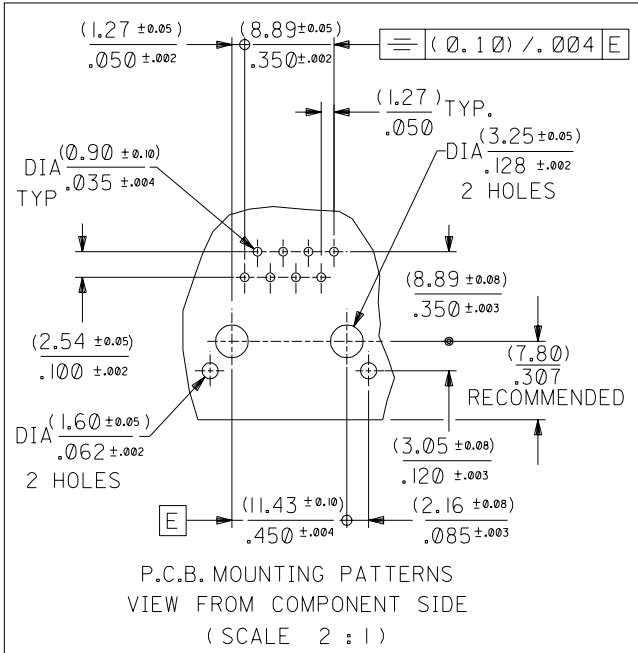
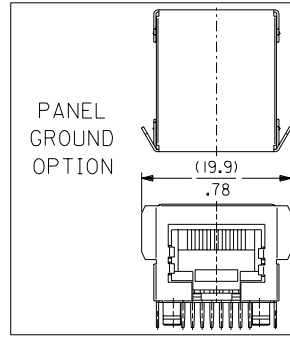
TECHNICAL SPECIFICATIONS:

MATERIAL :

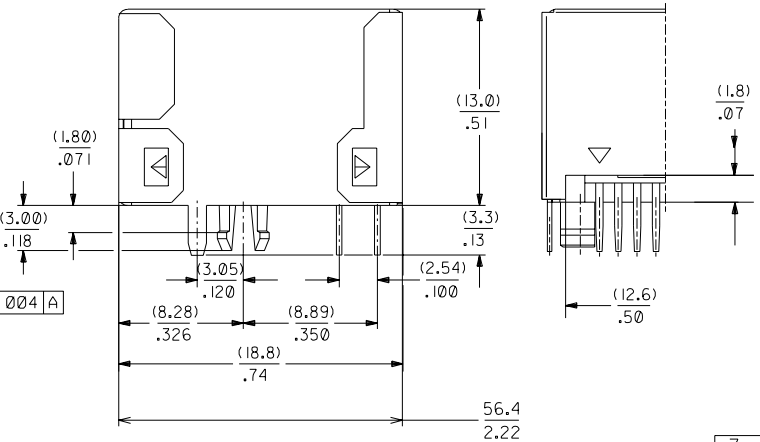
HOUSING TYPE 1: POLYESTER GLASS FILLED UL 94V0
 COLOR BLACK
 HOUSING TYPE 2: POLYAMIDE HIGH TEMPERATURE GLASS
 FILLED UL 94V0 COLOR BLACK
 TERMINAL : PHOSPHOR BRONZE PLATED WITH :
 (0.00127)/.000050 MIN. GOLD IN CONTACT AREA,
 (0.00190)/.000075 MIN. (90/10) TIN/LEAD IN TAIL AREA,
 BOTH OVER (0.00127)/.000050 MIN. NICKEL OVERALL
 SHIELD : BRASS PLATED WITH (0.0020)/.000078 MIN. TIN/LEAD

NOTES:

- 1- JACK FOR MATING WITH SHIELDED PLUG
 MOLEX 95043 AND 85568 SERIES.
- 2- PRODUCT SPECIFICATION: MOLEX PS-95122.
- 3- APPLICATION SPECIFICATION: MOLEX AS-95001.
- 4- PACKAGING SPECIFICATION: MOLEX PK-95122 (SEE CHART)
- 5- P.C. BOARD THICKNESS : (1.57)/.062



PARTIAL REAR VIEW



ENG. N°	HOUSING SIZE	HOUSING MATERIAL TYPE	LOADED CKTS	PANEL GROUND	TOOLED	PACKAGING SPECIFICATION PK-95122
95122-2881	8	1	8	NO	YES	TRAY (SHEET 1)
95122-2882				YES	YES	BLISTER (SHEET 2)
95122-2883		2		NO	YES	TRAY (SHEET 1)

EC NO: MC2004-0143 GE/RK 03/09/25	EC NO: MC2004-0046 RK 03/08/01	ECN MC2003-0607 Rear View added 03-06-05 Er/ST/SF	LTR REVISIONS
I	H3	H2	

THIRD ANGLE PROJECTION

UNLESS OTHERWISE SPECIFIED TOLERANCES: ANGULAR ±2'

3 PLACE ± .010 ±	DRWG BY GP	SIGN
2 PLACE ± .014 ± 0.25	CHK'D BY FB	SIGN
1 PLACE ± ± 0.35	APP'D BY JB	SIGN

DRAFT WHERE APPLICABLE MUST REMAIN WITHIN DIMENSIONS

DESIGN DIMENSION MM IN.

EQUIVALENT DIMENSION MM IN.

SCALE: ./. .

IF TWO DIMENSIONS ARE SHOWN THE UPPER IS THE DESIGN DIMENSION, LOWER IS SECONDARY

REVISE ONLY ON CAD SYSTEM

CADCAM PROJECT NAME

TITLE: FULLY SHIELDED R/A MODULAR JACK 8 CKTS THROUGH HOLE - VERSION A

MOLEX EUROPE

SHEET NO. 1 OF 3 DATE 93/04/20

PART NO. SEE CHART DWG NO. SDA-95122 SIZE B

3	G
2	H
1	I
	SH. REV.