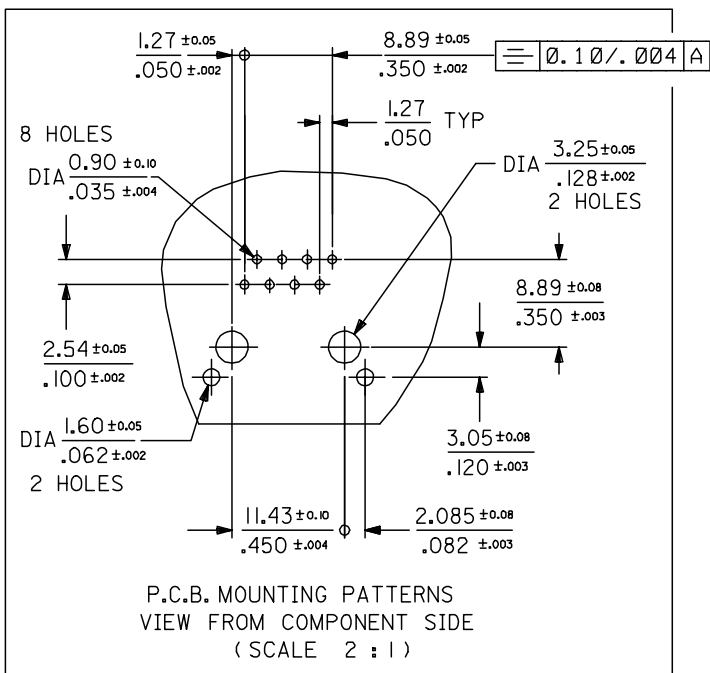
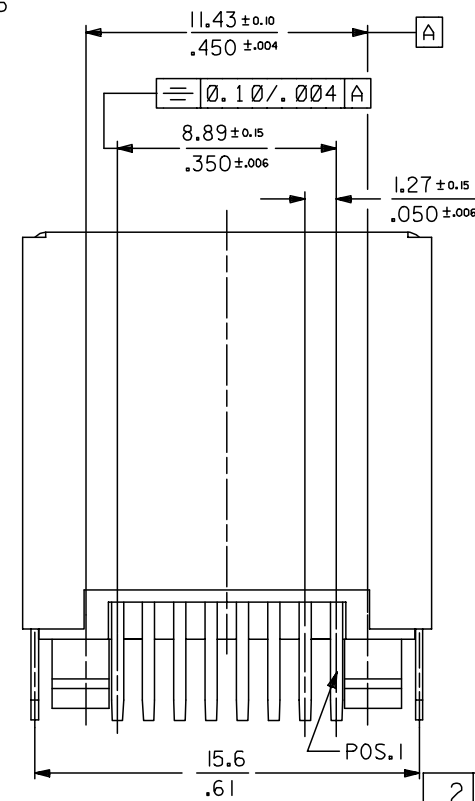
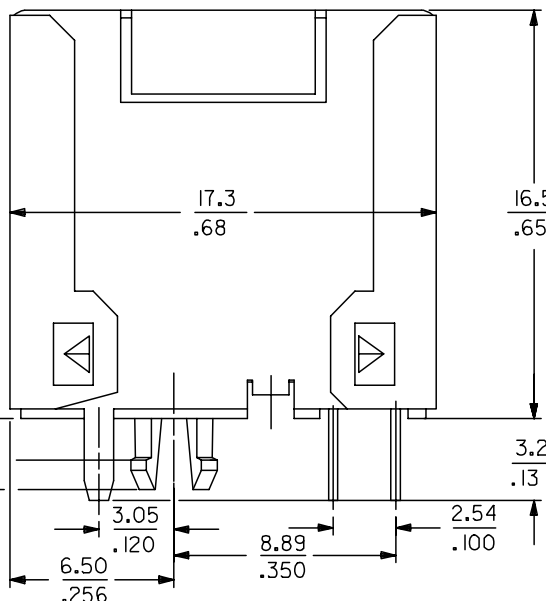
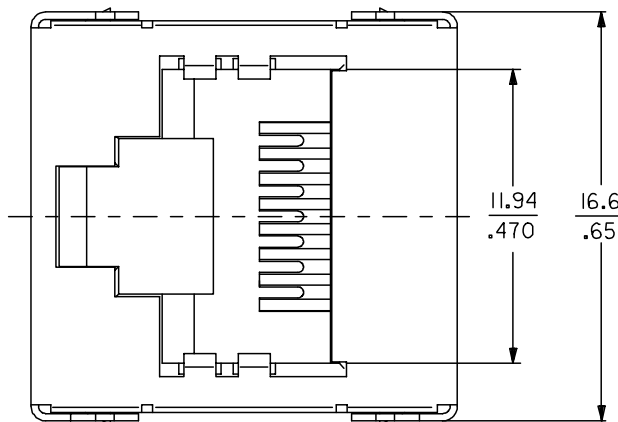


10 9 8 7 6 5 4 3 2 1

TECHNICAL SPECIFICATIONS:

I- MATERIAL: HOUSING: POLYESTER G.F. UL94V0
 COLOR : BLACK
 TERMINAL : PHOSPHOR BRONZE PLATED WITH
 0.00127-0.00152/.000050-.000060 GOLD
 IN CONTACT AREA , 0.00190/.000075 MIN
 PURE TIN IN TAIL AREA BOTH OVER
 0.00127/.000050 MIN NICKEL OVERALL
 SHIELD : BRASS PLATED WITH 0.0020/.000078
 MIN TIN

PART NUMBER	TOOLED	PCB THICKNESS
95123-2881	YES	1.57/.062
95123-2883	NO	1.20/.047



P.C.B. MOUNTING PATTERNS
 VIEW FROM COMPONENT SIDE
 (SCALE 2 : 1)

NOTES :

- 1- JACK FOR MATING WITH F.C.C. 68 PLUGS 95043 MOLEX SERIES.
- 2- PRODUCT SPECIFICATION: MOLEX PS-95122.
- 3- APPLICATION SPECIFICATION: MOLEX AS-95001.
- 4- PACKAGING SPECIFICATION: MOLEX PK-95123.
- 5- P.C. BOARD THICKNESS (SEE CHART)

EC NO: MG2005-0180 DRAWN: MARTIN 2004/11/17 CHKD: FCARABET 2004/11/17 APPR: KNOLLER 2004/11/18	QUALITY SYMBOLS ▽=0 ▽=0	GENERAL TOLERANCES (UNLESS SPECIFIED)		DIMENSION STYLE MM/IN	SCALE 5:1	DESIGN UNITS METRIC	THIRD ANGLE PROJECTION	
		4 PLACES ± --- ± ---	mm INCH	DRAWN BY GP	DATE / /	TITLE FULLY SHIELDED TOP ENTRY MODULAR JACK 8 CKTS (THROUGH HOLE VERSION)		
		3 PLACES ± --- ± .010		CHECKED BY / /	DATE / /	MOLEX MOLEX INCORPORATED		
		2 PLACES ± 0.25 ± .014		APPROVED BY / /	DATE / /	MATERIAL NO. SEE CHART	DOCUMENT NO. SDA-95123-F	SHEET NO. 1 OF 2
		1 PLACE ± 0.35 ± ---	ANGULAR ± 1/2°	DRAFT WHERE APPLICABLE MUST REMAIN WITHIN DIMENSIONS				

9 8 7 6 5 4 3 2 1