

## FEATURES AND SPECIFICATIONS

### Features and Benefits

- Fully shielded connector
- Advanced EMI/RFI protection
- ISDN standard
- Industry standard footprint and height

### Reference Information

Product Specification: PS-95122  
 Packaging: Tray  
 Mates With: FCC 68 plugs  
 Designed In: Millimeters

### Electrical

Voltage: 125V  
 Current: 1.5A  
 Contact Resistance: 20mΩ max.  
 Dielectric Withstanding Voltage: 1000V  
 Insulation Resistance: 500 MΩ min.  
 Shielding Effectiveness: 20 dB min.

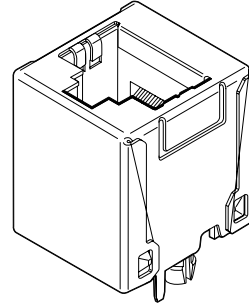
### Physical

Housing: Black polyester, UL 94V-0  
 Contact: Phosphor Bronze  
 Plating: Post plate 1.27 to 1.52μm (50 to 60μ") Gold  
 in contact area, 1.90μm (75μ") min. (90/10)  
 Tin/Lead in tail area both over Nickel overall  
 Operating Temperature: -40 to +80°C



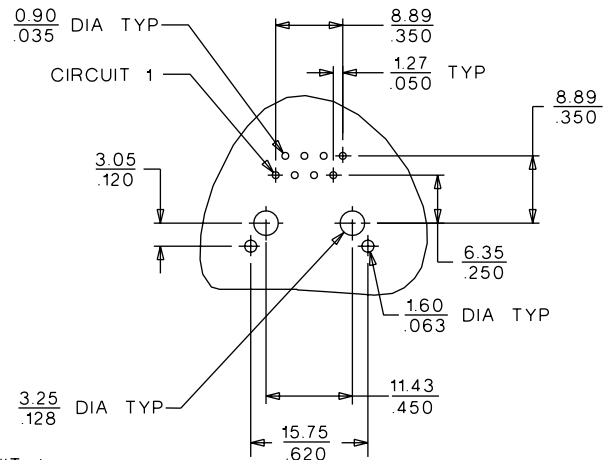
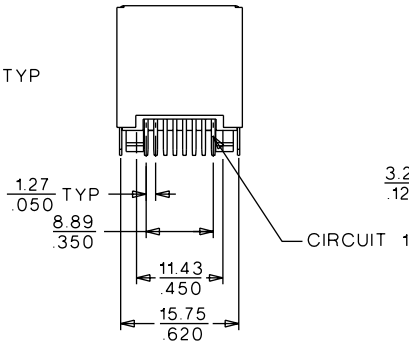
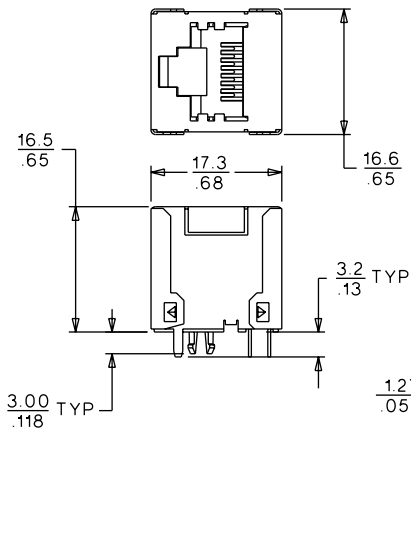
# 95123

## Vertical, Standard Profile Shielded



## CATALOG DRAWING (FOR REFERENCE ONLY)

Plugs and Jacks



PCB LAYOUT: COMPONENT SIDE  
 RECOMMENDED PCB THICKNESS: C (SEE CHART)

## ORDERING INFORMATION AND DIMENSIONS

Circuits	Loaded Contacts	Order No.	Key	Dimension C
8	8	95123-2881	No	1.57 (.059)