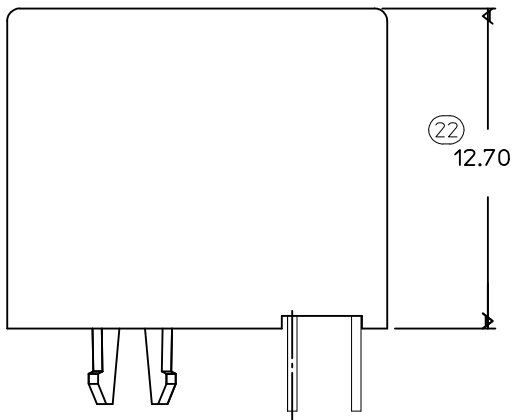


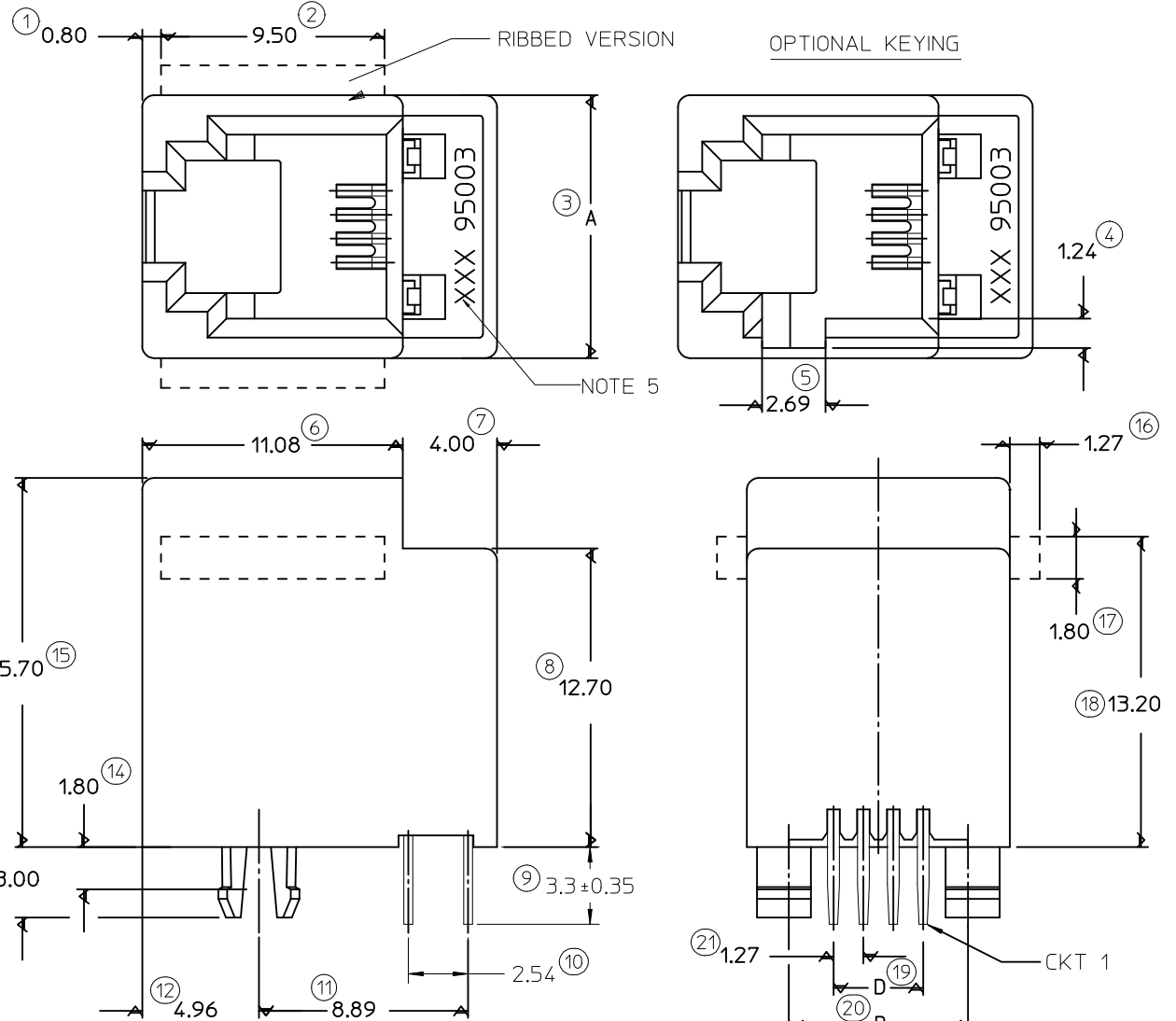
**NOTES :**

- 1- MATERIAL:  
 -HOUSING: LCP FIBER GLASS FILLED UL 94-V0  
 COLOR BLACK.  
 -TERMINAL: COPPER ALLOY  
 PLATING 2:  
 POST PLATE 0.00127-0.00152 GOLD IN  
 CONTACT AREA. 0.00190 MIN. PURE TIN IN TAIL  
 AREA BOTH OVER 0.00127 MIN. NICKEL OVERALL.  
 PLATING 6:  
 POST PLATE 0.00005 MIN GOLD FLASH OVER 0.00100  
 MIN PALLADIUM-NICKEL IN CONTACT AREA.  
 0.00190 MIN PURE TIN IN TAIL AREA. BOTH  
 OVER 0.00127 MIN NICKEL OVERALL.
- 2- JACK FOR MATING WITH F.C.C. 68 PLUGS  
 90075 MOLEX SERIES.
3. P.C.B. THICKNESS: 1.57
- 4- PRODUCT SPECIFICATION PS-95503-001
- 5- PACKAGING SPECIFICATION:  
 - STANDARD PACKAGING PK-95003 SHEET 1.  
 - TUBE PACKAGING FOR SMT VERSION PK-95003 SHEET 2.  
 - TUBE PACKAGING FOR THROUGH HOLE VERSION  
 PK-95003 SHEET 3.  
 - TAPE AND REEL PACKAGING FOR THROUGH HOLE PK-95503-001.
- 6- MANUFACTURING I.D. CAN BE MXF, MG OR MXI.
- INSPECTION NUMBERS USED: 1 - 50  
 LAST INSPECTION NUMBER: 22

| TYPE \ DIM. | POS. 4  | POS. 6  |         | POS. 8  |
|-------------|---------|---------|---------|---------|
|             | 4 CKTS. | 4 CKTS. | 6 CKTS. | 8 CKTS. |
| A           | 11.18   | 13.21   | 13.21   | 15.24   |
| B           | 7.62    | 10.16   | 10.16   | 11.43   |
| D           | 3.81    | 3.81    | 6.35    | 8.89    |



SHORT VERSION



|  |   |   |   |  |  |
|--|---|---|---|--|--|
| <b>MODIFIED PLATING OPTION</b><br>EC NO: E2012-0079<br>DRWN: JOCANNOR 2011/03/04<br>CHKD:<br>APPR: EFOLAN 2011/09/28 | QUALITY SYMBOLS<br>▽=0<br>◻=0   | GENERAL TOLERANCES (UNLESS SPECIFIED)<br>mm INCH<br>4 PLACES ± --- ± ---<br>3 PLACES ± --- ± ---<br>2 PLACES ± 0.15 ± ---<br>1 PLACE ± 0.25 ± ---<br>ANGULAR ± .5 ° | DIMENSION STYLE<br>MM ONLY<br>DRAWN BY: TMARTIN<br>DATE: 2005/06/15<br>CHECKED BY: FCARABETTA<br>DATE: 2005/06/15<br>APPROVED BY: KNOLLER<br>DATE: 2005/06/15 | SCALE<br>5:1<br>DESIGN UNITS<br>METRIC<br>THIRD ANGLE PROJECTION | TITLE<br>LOW PROFILE TOP ENTRY JACK (THROUGH HOLE VERSION) |
|  | DRAFT WHERE APPLICABLE MUST REMAIN WITHIN DIMENSIONS  |   | MATERIAL NO.<br>SEE SHT 4,5   | DOCUMENT NO.<br>SD-95503-003                                     | SHEET NO.<br>1 OF 5  |
|  | MOLEX INCORPORATED  |   |   |  |  |
|  | THIS DRAWING CONTAINS INFORMATION THAT IS PROPRIETARY TO MOLEX INCORPORATED AND SHOULD NOT BE USED WITHOUT WRITTEN PERMISSION |   |   |  |  |

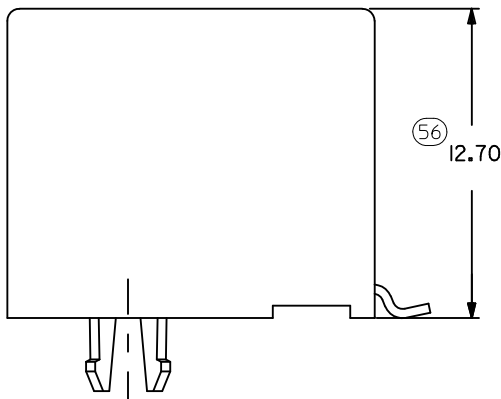
10 9 8 7 6 5 4 3 2 1

**NOTES :**

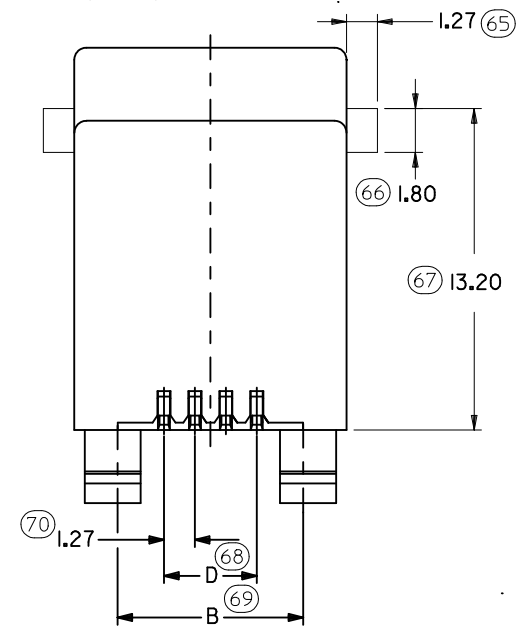
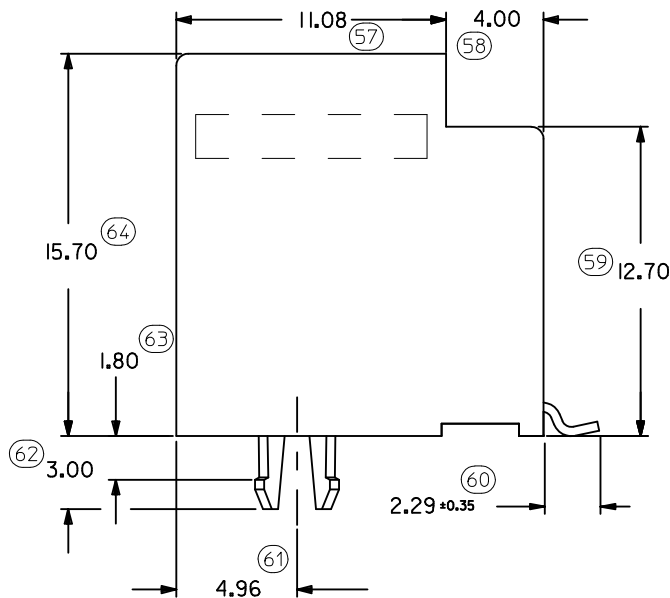
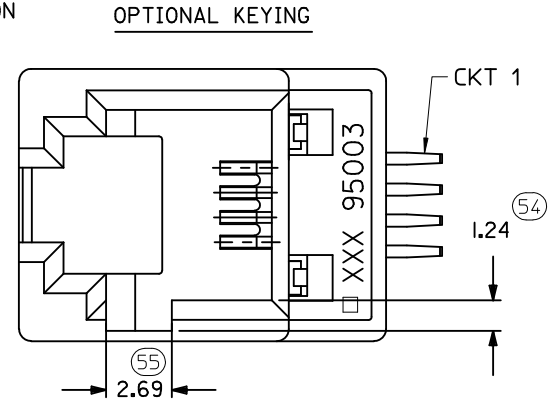
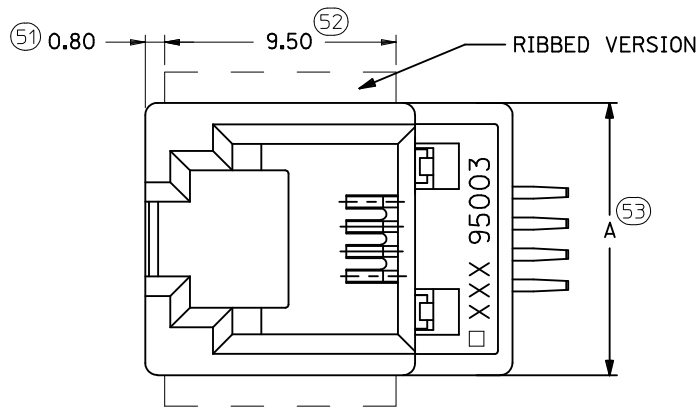
**1- MATERIAL:**

- HOUSING: LCP FIBER GLASS FILLED UL 94-V0  
COLOR BLACK
- 2-APPLICATION SPECIFICATION: AS-85513-001 (SMT)
- 3- SEE OTHER NOTES SHEET 1.
- 4- COPLANARITY OF SIGNAL TAILS 0.1mm MAX  
RELEVANT TO EACH OTHER.

INSPECTION NUMBERS USED: 51 - 100  
LAST INSPECTION NUMBER: 70



SHORT VERSION



| DIM. | TYPE | POS. 4  |         | POS. 6  |         | POS. 8  |
|------|------|---------|---------|---------|---------|---------|
|      |      | 4 CKTS. | 4 CKTS. | 6 CKTS. | 8 CKTS. | 8 CKTS. |
| A    |      | 11.18   | 13.21   | 13.21   | 15.24   |         |
| B    |      | 7.62    | 10.16   | 10.16   | 11.43   |         |
| D    |      | 3.81    | 3.81    | 6.35    | 8.89    |         |

|   |                 |  |   |  |                                    |                        |  |
|---|-----------------|--|---|--|------------------------------------|------------------------|--|
| REMOVED INCHES<br>EC NO: E2012-0079<br>TDRWN: JCONNOR 2011/03/04<br>CHKD: APPR: EFOLAN 2011/09/28 | QUALITY SYMBOLS | GENERAL TOLERANCES (UNLESS SPECIFIED)  | DIMENSION STYLE   | SCALE  | DESIGN UNITS                       | THIRD ANGLE PROJECTION |  |
|   | ▽=0<br>◻=0      | mm INCH<br>4 PLACES ± --- ± ---<br>3 PLACES ± --- ± ---<br>2 PLACES ± 0.15 ± ---<br>1 PLACE ± 0.25 ± ---<br>ANGULAR ± .5 ° | MM ONLY   | 5:1  | METRIC                             |                        |  |
|   |                 | DRAFT WHERE APPLICABLE MUST REMAIN WITHIN DIMENSIONS   | DRAWN BY DATE<br>TMARTIN 2005/06/19<br>CHECKED BY DATE<br>FCARABETTA 2005/06/19<br>APPROVED BY DATE<br>KNOLLER 2005/06/19 | TITLE  | LOW PROFILE T/E JACK (SMT VERSION) |                        |  |
|   |                 |  | MATERIAL NO.<br>SEE SHT. 4, 5   | MOLEX INCORPORATED<br>DOCUMENT NO.<br>SD-95503-003 | SHEET NO.<br>2 OF 5                |                        |  |

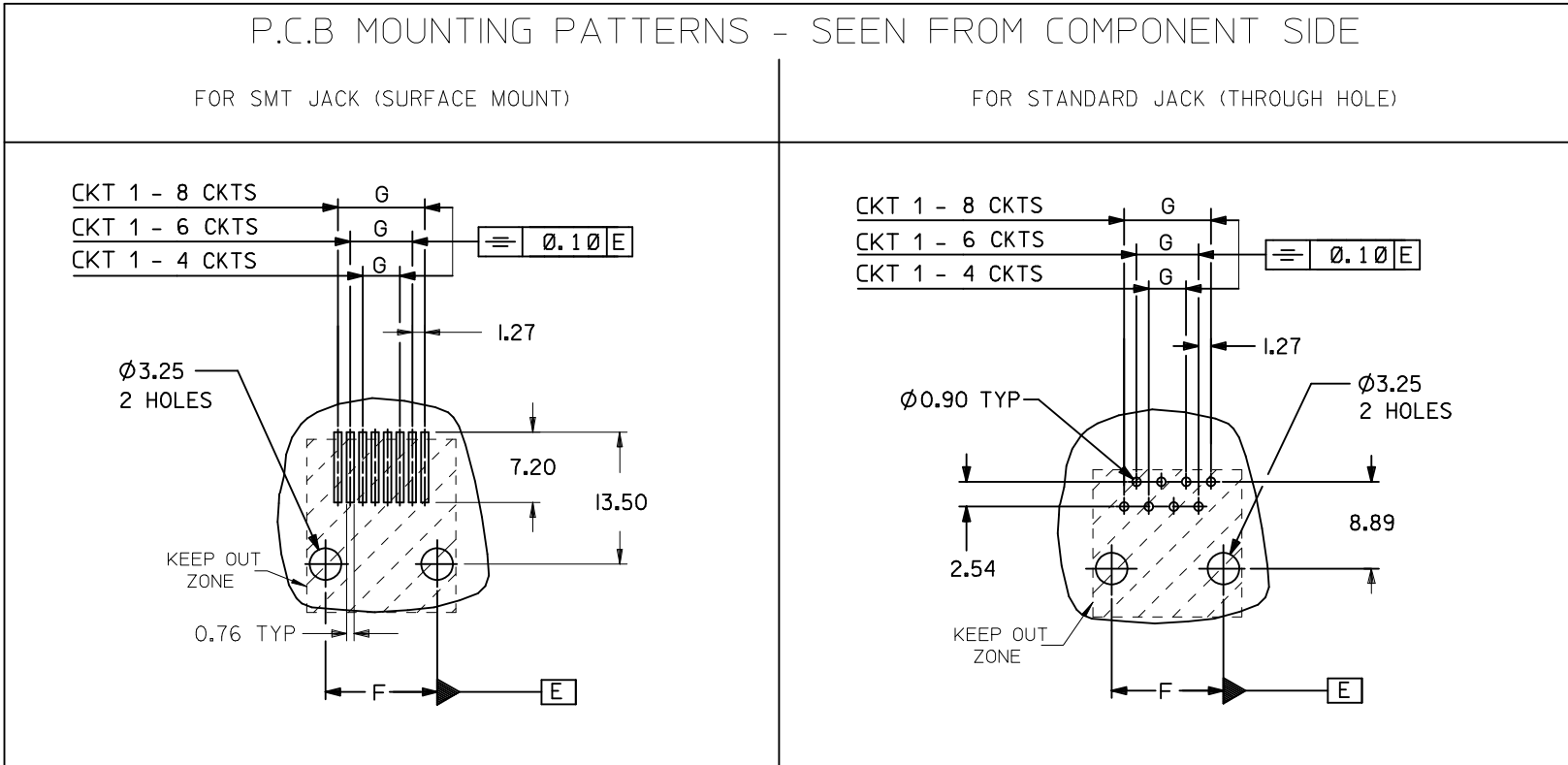
9 8 7 6 5 4 3 2 1

| TYPE<br>DIM. | POS. 4  | POS. 6  |         | POS. 8  |
|--------------|---------|---------|---------|---------|
|              | 4 CKTS. | 4 CKTS. | 6 CKTS. | 8 CKTS. |
| F ±0.05      | 7.62    | 10.16   | 10.16   | 11.43   |
| G ±0.05      | 3.81    | 3.81    | 6.35    | 8.89    |

P.C.B MOUNTING PATTERNS - SEEN FROM COMPONENT SIDE

FOR SMT JACK (SURFACE MOUNT)

FOR STANDARD JACK (THROUGH HOLE)



NOTES:  
ALL DIMENSIONS REF DIMENSIONS

|   |   |   |                             |       |              |                        |
|---|---|---|-----------------------------|-------|--------------|------------------------|
| REMOVED INCHES<br>EC NO: E2012-0079<br>DRWN: JCONNOR 2011/03/04<br>CHKD:<br>APPR: EFOLAN 2011/09/28 | QUALITY SYMBOLS   | GENERAL TOLERANCES (UNLESS SPECIFIED)   | DIMENSION STYLE             | SCALE | DESIGN UNITS | THIRD ANGLE PROJECTION |
|   | ▽=0<br>Ⓢ=0  | mm INCH<br>4 PLACES ± --- ± ---<br>3 PLACES ± --- ± ---<br>2 PLACES ± 0.15 ± ---<br>1 PLACE ± 0.25 ± ---<br>ANGULAR ± .5 °    | MM ONLY                     | 1:1   | METRIC       |                        |
|   | DRAWN BY: TMARTIN<br>CHECKED BY: FCARABETTA<br>APPROVED BY: KNOLLER | DATE: 2005/06/15<br>DATE: 2005/06/15<br>DATE: 2005/06/15  | TITLE: LOW PROFILE T/E JACK |       |              |                        |
|   | MATERIAL NO.<br>SEE SHT. 4, 5                                       | DOCUMENT NO.<br>SD-95503-003  | MOLEX INCORPORATED          |       |              |                        |
| DRAFT WHERE APPLICABLE MUST REMAIN WITHIN DIMENSIONS  | SIZE: A3  | THIS DRAWING CONTAINS INFORMATION THAT IS PROPRIETARY TO MOLEX INCORPORATED AND SHOULD NOT BE USED WITHOUT WRITTEN PERMISSION |                             |       |              |                        |

