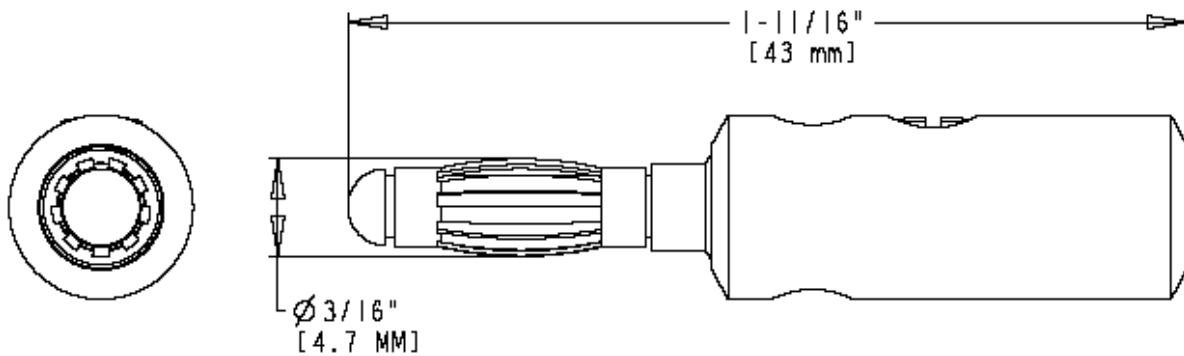
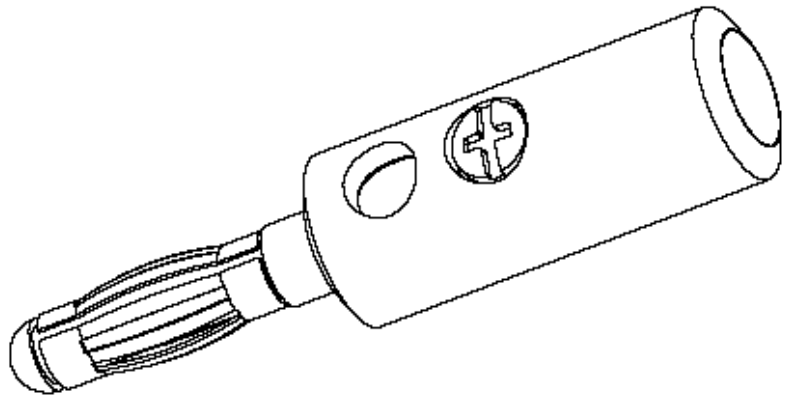




Part Number: BU-00249-*

Description: Stackable Banana Plug

2907



- Stackable Banana Plug
- Material: Banana Plug: nickel-plated brass body; Spring: nickel-plated phosphor bronze; Insulator: ABS
- Length: 1.68"(43mm)
- *Std. Colors: -0 Black -2 Red
- Rating: 15 Amps