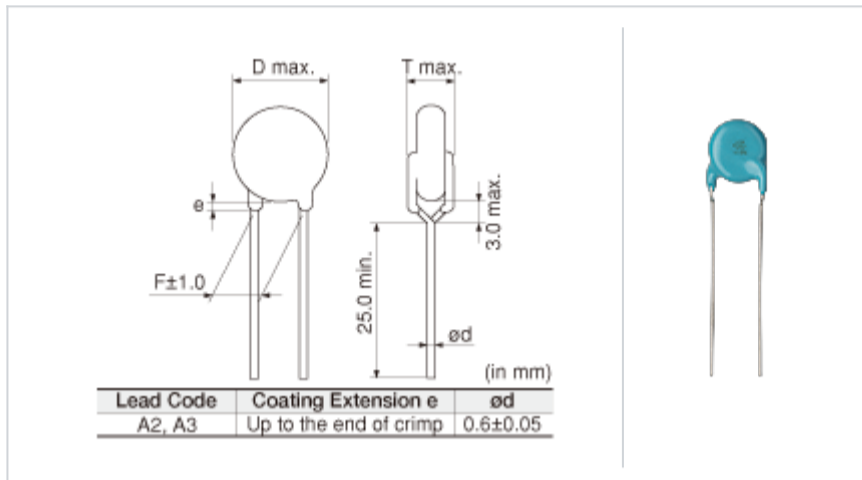


DE2B3KY101KA3BM02

" # " indicates a package specification code.

< List of part numbers with package codes >
DE2B3KY101KA3BM02

Shape



Notes

X1/Y2 Class Certified Products

References

| Packaging | Specifications | Minimum quantity |
|-----------|-----------------|------------------|
| | Packing in bulk | 250 |

Specifications

| | |
|--|-------------|
| Capacitance | 100pF ± 10% |
| Rated voltage | 250Vac |
| Temperature characteristics (complied standard) | B(JIS) |
| Capacitance change rate | ± 10% |
| Temperature range of temperature characteristics | -25 to 85 |
| Operating temperature range | -25 to 125 |

⚠ Attention

- 1.This datasheet is downloaded from the website of Murata Manufacturing Co., Ltd. Therefore, it ' s specifications are subject to change or our products in it may be discontinued without advance notice. Please check with our sales representatives or product engineers before ordering.
- 2.This datasheet has only typical specifications because there is no space for detailed specifications. Therefore, please review our product specifications or consult the approval sheet for product specifications before ordering.