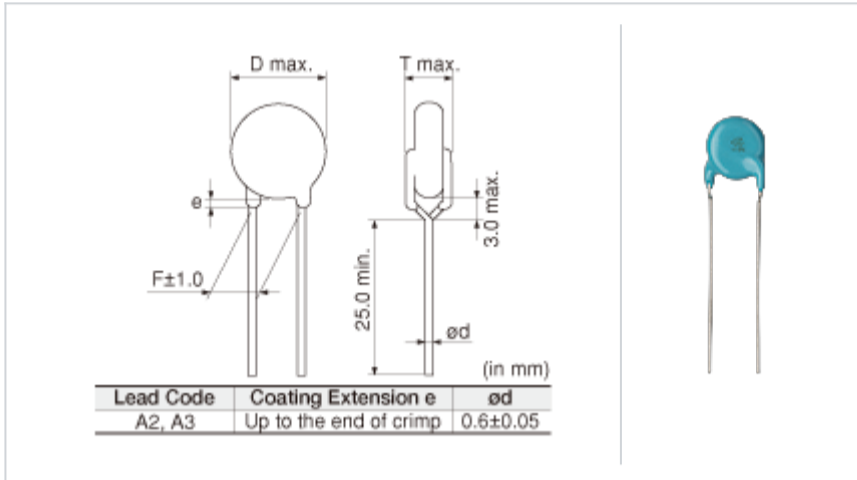


# DE2B3KY151KA3BM02

"#" indicates a package specification code.

< List of part numbers with package codes >  
DE2B3KY151KA3BM02

## Shape



## Notes

X1/Y2 Class Certified Products

## References

Packaging	Specifications	Minimum quantity
	Packing in bulk	250

## Specifications

Capacitance	150pF ± 10%
Rated voltage	250Vac
Temperature characteristics (complied standard)	B(JIS)
Capacitance change rate	± 10%
Temperature range of temperature characteristics	-25 to 85
Operating temperature range	-25 to 125

1 of 1

## ⚠ Attention

- 1.This datasheet is downloaded from the website of Murata Manufacturing Co., Ltd. Therefore, it ' s specifications are subject to change or our products in it may be discontinued without advance notice. Please check with our sales representatives or product engineers before ordering.
- 2.This datasheet has only typical specifications because there is no space for detailed specifications. Therefore, please review our product specifications or consult the approval sheet for product specifications before ordering.