

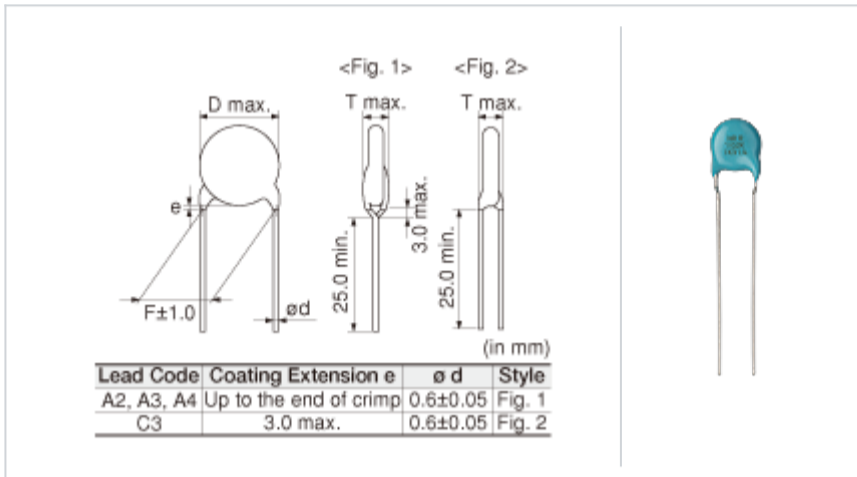
DEHR33A471KA2B

" # " indicates a package specification code.



< List of part numbers with package codes >
DEHR33A471KA2B

Shape



References

Packaging	Specifications	Minimum quantity
	Packing in bulk	500

L size or outer diameter D (mm)	7.0 mm max.
Lead spacing F	5 ± 1.0mm
Product thickness T	4.5mm max.
Lead diameter d	0.6 ± 0.05mm
Paint dripping e	Up to the end of crimp

Specifications

Capacitance	470pF ± 10%
Rated voltage	1000Vdc
Temperature characteristics (complied standard)	R(JIS)
Capacitance change rate (1)	± 15%(-25 to 85)
Capacitance change rate (2)	+15/-30%(85 to 125)
Temperature range of temperature characteristics	-25 to 125
Operating temperature range	-25 to 125

⚠ Attention

- 1.This datasheet is downloaded from the website of Murata Manufacturing Co., Ltd. Therefore, it ' s specifications are subject to change or our products in it may be discontinued without advance notice. Please check with our sales representatives or product engineers before ordering.
- 2.This datasheet has only typical specifications because there is no space for detailed specifications. Therefore, please review our product specifications or consult the approval sheet for product specifications before ordering.