

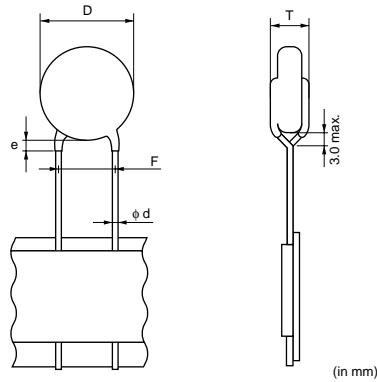
Data Sheet

High Voltage Ceramic Capacitors

DES Series (125°C Guaranteed/Low-dissipation Factor/DC500V-1kV)

DESD33A102KN2A (D, 1000pF, DC1kV)

RoHS regulation conformity parts



■ Dimensions

Body Diameter D	9mm max.
Body Thickness T	4.5mm max.
Lead Spacing F	5.0mm +0.8/-0.2mm
Lead Diameter ød	0.6mm ±0.05mm
Coating Extension e	Up to the end of crimp

■ Rated Value

	Murata PN Code	Spec
Temperature Char.	D3	D, +20/-30%
Capacitance	102	1000pF
Capacitance Tol.	K	±10%
Rated Voltage	3A	DC1kV

■ Lead Style

Code	Lead Style
N2	Vertical crimp taping

■ Packaging

Code	Packaging	Minimum Quantity
A	Ammo Pack	1500

Please refer to 'Packaging' for the details.

■ Specifications

Please refer to 'DES Series (125°C Guaranteed/Low-dissipation Factor/DC500V-1kV) Specifications and Test Methods' PDF file.

- This data sheet is applied for ceramic DES series used for General Electronics equipment for your design.

<Notice>

- Bonding, resin molding and coating
In case of bonding, molding or coating this product, verify that these processes do not affect the quality of capacitor by testing the performance of the bonded, molded or coated product in the intended equipment. The variation in thickness of adhesive or molding resin or coating may cause an outer coating resin cracking and/or ceramic element cracking of a capacitor in a temperature cycling.
- Please refer to 'Caution' and 'Notice' for the other details.

- The RoHS compliance means that we judge from EU Directive 2002/95/EC the products do not contain lead, cadmium, mercury, hexavalent chromium, PBB and PBDE, except exemptions stated in EU Directive 2002/95/EC annex and impurities existing in natural world.
- This statement does not insure the compliance of any of the listed parts with any laws or legal imperatives developed by any EU members individually with regards to the RoHS Directive.

⚠ Note:

1. This datasheet is downloaded from the website of Murata Manufacturing co., Ltd. Therefore, it's specifications are subject to change or our products in it may be discontinued without advance notice. Please check with our sales representatives or product engineers before ordering.
2. This datasheet has only typical specifications because there is no space for detailed specifications. Therefore, please approve our product specifications or transact the approval sheet for product specifications before ordering.