

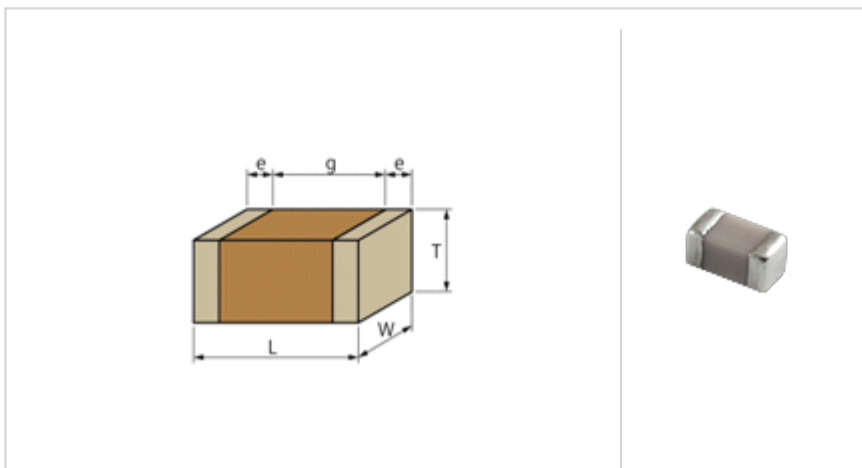
GJM0336C1E9R1DB01#

"#" indicates a package specification code.



< List of part numbers with package codes >
 GJM0336C1E9R1DB01D , GJM0336C1E9R1DB01J , GJM0336C1E9R1DB01C , GJM0336C1E9R1DB01B

Shape



| | |
|--|--------------|
| L size | 0.6 ± 0.03mm |
| W size | 0.3 ± 0.03mm |
| T size | 0.3 ± 0.03mm |
| External terminal width e | 0.1 to 0.2mm |
| Distance between external terminals g (Min.) | 0.2mm |
| Size code in mm(inch) | 0603 (0201) |

References

| Packaging | Specifications | Minimum quantity |
|-----------|---------------------|------------------|
| D | Paper tape (180mm) | 15000 |
| J | Paper tape (330mm) | 50000 |
| C | Bulk case | 50000 |
| B | Packing in bulk | 1000 |

| Mass (typ.) | |
|---------------|--------|
| 1 piece | 0.33mg |
| Reel (180mm) | 118g |

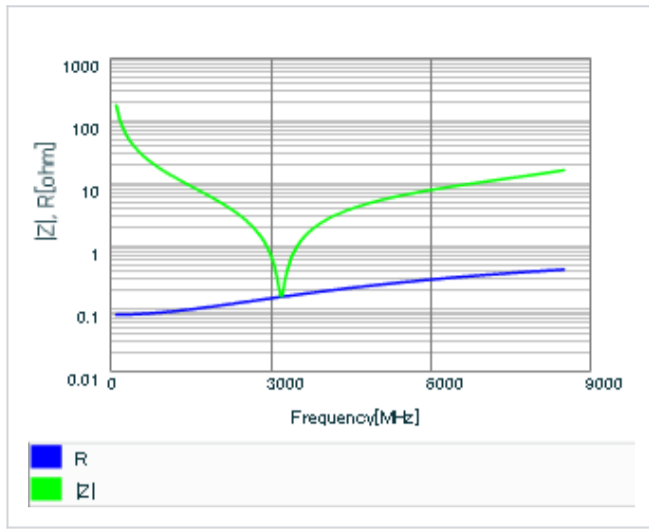
Specifications

| | |
|--|---------------|
| Capacitance | 9.1pF ± 0.5pF |
| Rated voltage | 25Vdc |
| Temperature characteristics (complied standard) | C0H(EIA) |
| Temperature coefficient | 0 ± 60ppm/ |
| Temperature range of temperature characteristics | 25 to 125 |
| Operating temperature range | -55 to 125 |

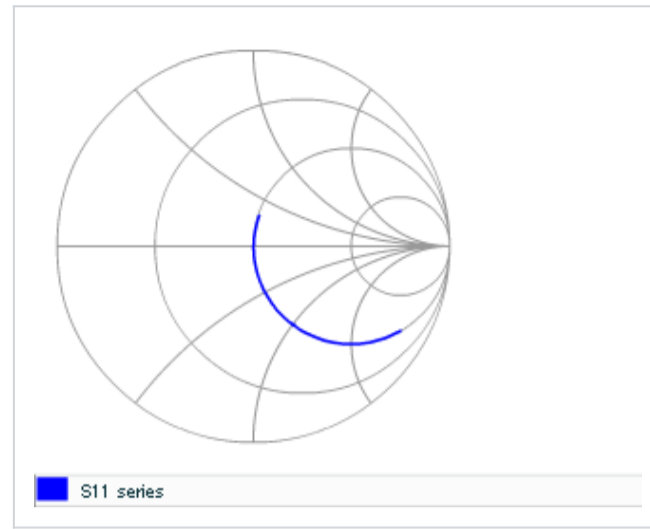
⚠ Attention

- 1.This datasheet is downloaded from the website of Murata Manufacturing Co., Ltd. Therefore, it ' s specifications are subject to change or our products in it may be discontinued without advance notice. Please check with our sales representatives or product engineers before ordering.
- 2.This datasheet has only typical specifications because there is no space for detailed specifications. Therefore, please review our product specifications or consult the approval sheet for product specifications before ordering.

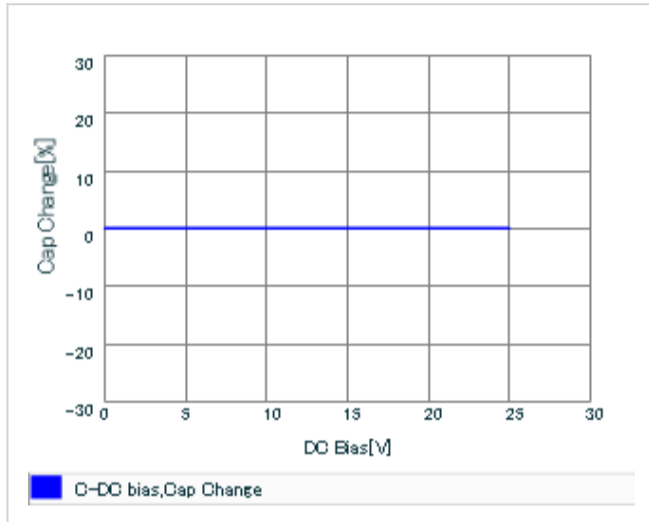
▪ Frequency characteristics (ESR, Impedance)



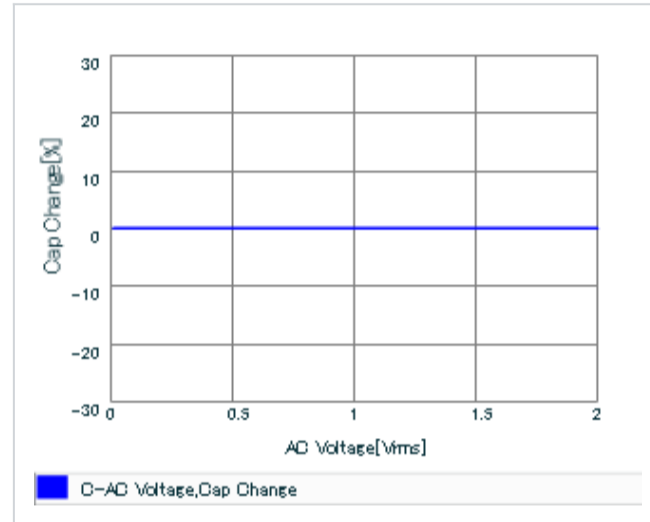
▪ S parameter (Smith chart S11)



▪ DC bias characteristics



▪ AC voltage characteristics



▪ Capacitance - temperature characteristics

