

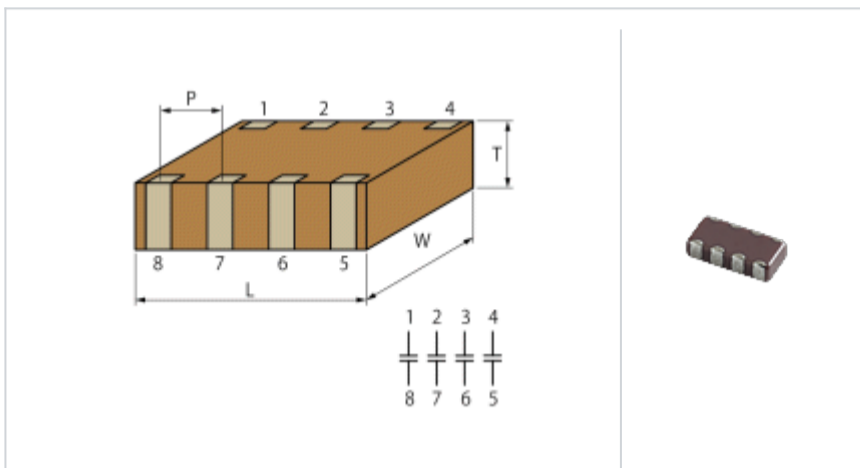
GNM3145C2A470KD01#

"#" indicates a package specification code.



< List of part numbers with package codes >
 GNM3145C2A470KD01D , GNM3145C2A470KD01J , GNM3145C2A470KD01B

Shape



L size	3.2 ± 0.15mm
W size	1.6 ± 0.15mm
T size	0.8 ± 0.1mm
Distance between external terminals P	0.8mm
Size code in mm(inch)	3216 (1206)

Specifications

Capacitance	47pF ± 10%
Rated voltage	100Vdc
Temperature characteristics (complied standard)	COG(EIA)
Temperature coefficient	0 ± 30ppm/
Temperature range of temperature characteristics	25 to 125
Operating temperature range	-55 to 125

References

Packaging	Specifications	Minimum quantity
D	Paper tape (180mm)	4000
J	Paper tape (330mm)	10000
B	Packing in bulk	1000

Mass (typ.)	
1 piece	25.5mg
Reel (180mm)	214g

⚠ Attention

- 1.This datasheet is downloaded from the website of Murata Manufacturing Co., Ltd. Therefore, it ' s specifications are subject to change or our products in it may be discontinued without advance notice. Please check with our sales representatives or product engineers before ordering.
- 2.This datasheet has only typical specifications because there is no space for detailed specifications. Therefore, please review our product specifications or consult the approval sheet for product specifications before ordering.