

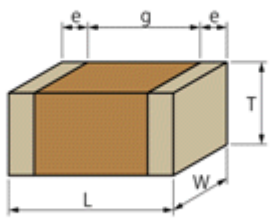
# GRM216B11H472KA01#

" # " indicates a package specification code.

Available   Complies with RoHS

< List of part numbers with package codes >  
 GRM216B11H472KA01D , GRM216B11H472KA01J , GRM216B11H472KA01C , GRM216B11H472KA01B

## Shape

	
L size	2.0 ± 0.1mm
W size	1.25 ± 0.1mm
T size	0.6 ± 0.1mm
External terminal width e	0.2 to 0.7mm
Distance between external terminals g (Min.)	0.7mm
Size code in mm(inch)	2012 (0805)

## References

Packaging	Specifications	Minimum quantity
D	Paper tape ( 180mm)	4000
J	Paper tape ( 330mm)	10000
C	Bulk case	10000
B	Packing in bulk	1000

Mass (typ.)	
1 piece	9.6mg
Reel ( 180mm)	142g

## Specifications

Capacitance	4700pF ± 10%
Rated voltage	50Vdc
Temperature characteristics (complied standard)	B(JIS)
Capacitance change rate	± 10%
Temperature range of temperature characteristics	-25 to 85
Operating temperature range	-25 to 85

### Attention

- 1.This datasheet is downloaded from the website of Murata Manufacturing Co., Ltd. Therefore, it ' s specifications are subject to change or our products in it may be discontinued without advance notice. Please check with our sales representatives or product engineers before ordering.
- 2.This datasheet has only typical specifications because there is no space for detailed specifications. Therefore, please review our product specifications or consult the approval sheet for product specifications before ordering.