

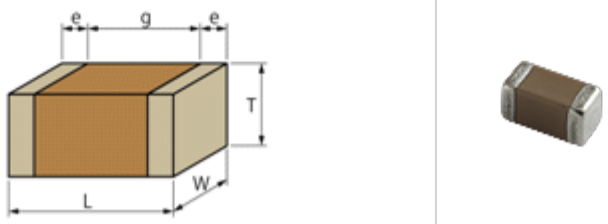
# GRM216R71H272JA01#

" # " indicates a package specification code.

Available   Complies with RoHS

< List of part numbers with package codes >  
 GRM216R71H272JA01D , GRM216R71H272JA01J , GRM216R71H272JA01C , GRM216R71H272JA01B

## Shape

|   |              |
|---|--------------|
|  |              |
| L size  | 2.0 ± 0.1mm  |
| W size  | 1.25 ± 0.1mm |
| T size  | 0.6 ± 0.1mm  |
| External terminal width e   | 0.2 to 0.7mm |
| Distance between external terminals g (Min.)                                      | 0.7mm        |
| Size code in mm(inch)   | 2012 (0805)  |

## References

| Packaging | Specifications      | Minimum quantity |
|-----------|---------------------|------------------|
| D         | Paper tape ( 180mm) | 4000             |
| J         | Paper tape ( 330mm) | 10000            |
| C         | Bulk case           | 10000            |
| B         | Packing in bulk     | 1000             |

## Specifications

|  |             |
|--|-------------|
| Capacitance                                      | 2700pF ± 5% |
| Rated voltage                                    | 50Vdc       |
| Temperature characteristics (complied standard)  | X7R(EIA)    |
| Capacitance change rate                          | ± 15.0%     |
| Temperature range of temperature characteristics | -55 to 125  |
| Operating temperature range                      | -55 to 125  |

### Attention

- 1.This datasheet is downloaded from the website of Murata Manufacturing Co., Ltd. Therefore, it ' s specifications are subject to change or our products in it may be discontinued without advance notice. Please check with our sales representatives or product engineers before ordering.
- 2.This datasheet has only typical specifications because there is no space for detailed specifications. Therefore, please review our product specifications or consult the approval sheet for product specifications before ordering.