

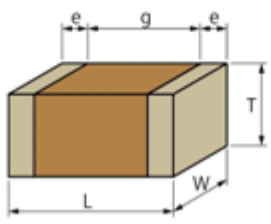
# GRM21BR11C105KA01#

" # " indicates a package specification code.

Available   Complies with RoHS

< List of part numbers with package codes >  
 GRM21BR11C105KA01L , GRM21BR11C105KA01K , GRM21BR11C105KA01C , GRM21BR11C105KA01B

## Shape

	
L size	2.0 ± 0.1mm
W size	1.25 ± 0.1mm
T size	1.25 ± 0.1mm
External terminal width e	0.2 to 0.7mm
Distance between external terminals g (Min.)	0.7mm
Size code in mm(inch)	2012 (0805)

## References

Packaging	Specifications	Minimum quantity
L	Embossed tape ( 180mm)	3000
K	Embossed tape ( 330mm)	10000
C	Bulk case	5000
B	Packing in bulk	1000

Mass (typ.)	
1 piece	17mg
Reel ( 180mm)	102g

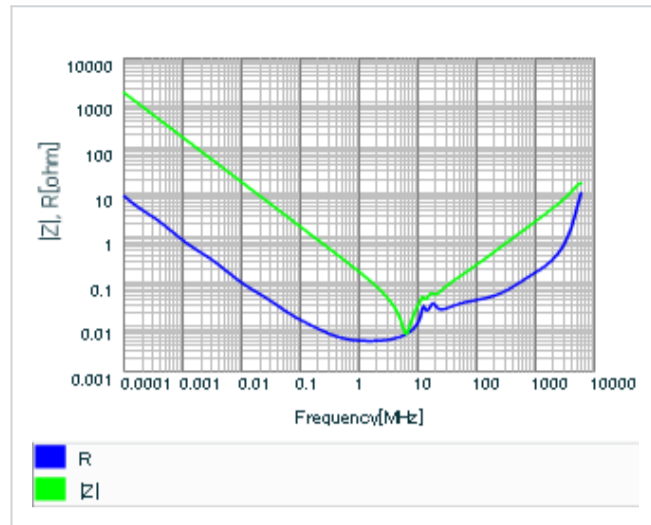
## Specifications

Capacitance	1.0µF ± 10%
Rated voltage	16Vdc
Temperature characteristics (complied standard)	R(JIS)
Capacitance change rate	± 15%
Temperature range of temperature characteristics	-55 to 125
Operating temperature range	-55 to 125

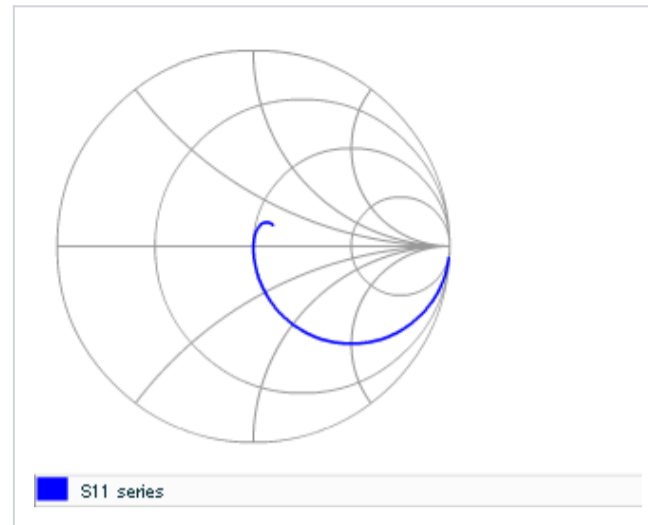
### Attention

- 1.This datasheet is downloaded from the website of Murata Manufacturing Co., Ltd. Therefore, it ' s specifications are subject to change or our products in it may be discontinued without advance notice. Please check with our sales representatives or product engineers before ordering.
- 2.This datasheet has only typical specifications because there is no space for detailed specifications. Therefore, please review our product specifications or consult the approval sheet for product specifications before ordering.

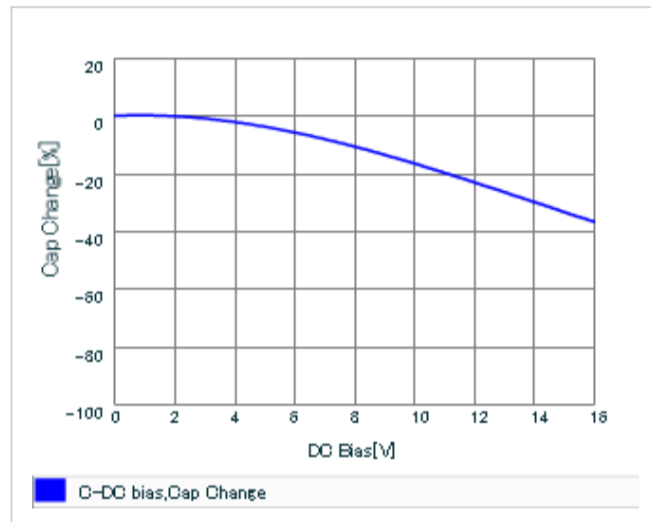
▪ Frequency characteristics (ESR, Impedance)



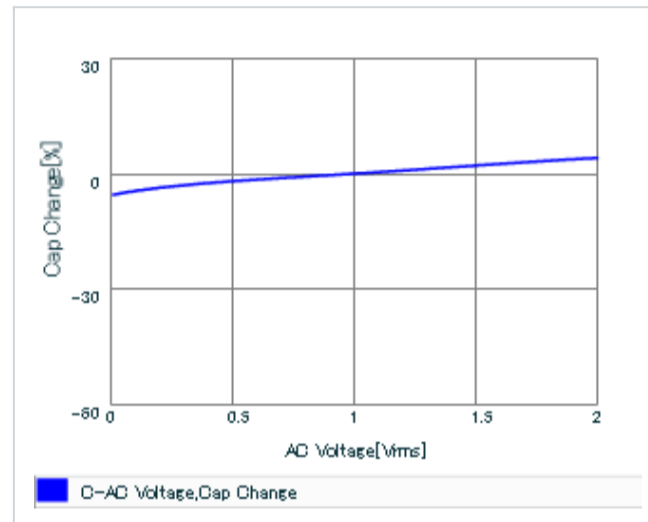
▪ S parameter (Smith chart S11)



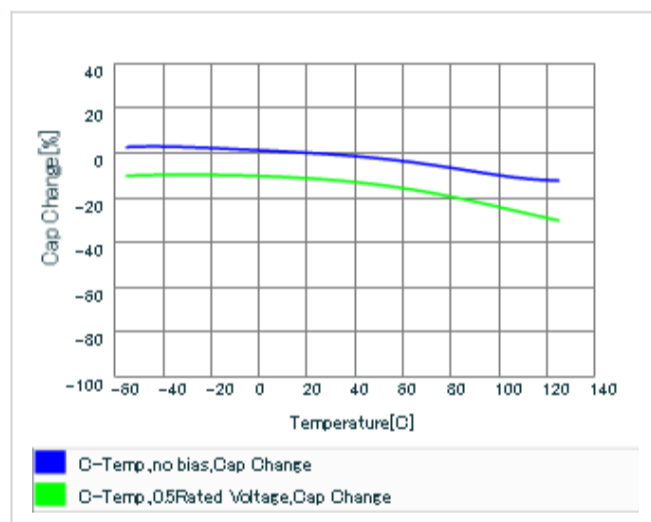
▪ DC bias characteristics



▪ AC voltage characteristics



▪ Capacitance - temperature characteristics



▪ Calorific property by ripple current

