

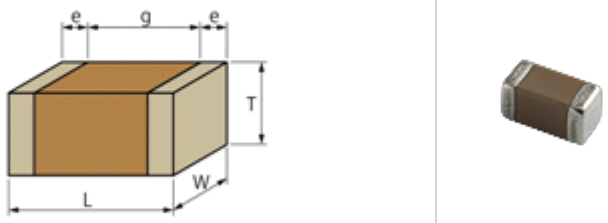
GRM31MF51C475ZA01#

" # " indicates a package specification code.

Available   Complies with RoHS

< List of part numbers with package codes >
 GRM31MF51C475ZA01L , GRM31MF51C475ZA01K , GRM31MF51C475ZA01B

Shape

| | |
|---|--------------|
|  | |
| L size | 3.2 ± 0.15mm |
| W size | 1.6 ± 0.15mm |
| T size | 1.15 ± 0.1mm |
| External terminal width e | 0.3 to 0.8mm |
| Distance between external terminals g (Min.) | 1.5mm |
| Size code in mm(inch) | 3216 (1206) |

References

| Packaging | Specifications | Minimum quantity |
|-----------|------------------------|------------------|
| L | Embossed tape (180mm) | 3000 |
| K | Embossed tape (330mm) | 10000 |
| B | Packing in bulk | 1000 |

| Mass (typ.) | |
|---------------|------|
| 1 piece | 34mg |
| Reel (180mm) | 149g |

Specifications

| | |
|--|----------------|
| Capacitance | 4.7µF +80/-20% |
| Rated voltage | 16Vdc |
| Temperature characteristics (complied standard) | Y5V(EIA) |
| Capacitance change rate | +22/-82% |
| Temperature range of temperature characteristics | -30 to 85 |
| Operating temperature range | -30 to 85 |

Attention

- 1.This datasheet is downloaded from the website of Murata Manufacturing Co., Ltd. Therefore, it ' s specifications are subject to change or our products in it may be discontinued without advance notice. Please check with our sales representatives or product engineers before ordering.
- 2.This datasheet has only typical specifications because there is no space for detailed specifications. Therefore, please review our product specifications or consult the approval sheet for product specifications before ordering.